



DirectDrive Video Amplifier with Reconstruction Filter and Analog Switch

MAX9505

General Description

The MAX9505 filters and amplifies standard-definition video signals. Maxim's DirectDrive™ technology eliminates large output-coupling capacitors and sets the video black level to ground. An internal reconstruction filter smooths the steps and reduces the spikes on the video signal from the video digital-to-analog converter (DAC). The input of the MAX9505 can be directly connected to the output of a DAC. The MAX9505 provides a compact, integrated, and low-power solution.

The reconstruction filter typically has 3dB attenuation at 9MHz and 50dB attenuation at 27MHz, and ± 1 dB pass-band flatness to 5.5MHz.

Maxim's DirectDrive uses an integrated charge pump and a linear regulator to create a negative power supply to drive the sync below ground. The charge pump injects so little noise into the video output that the picture is visibly flawless.

The MAX9505 features an internal 1.7Ω analog switch that interfaces with a 4-pole multimedia jack. This switch allows one of the poles to be set as a video input, a video output, or a microphone input.

The MAX9505 is offered in space-saving 16-pin QSOP and 16-pin TQFN packages and is specified over the -40°C to $+85^\circ\text{C}$ extended temperature range.

Applications

Mobile Phones/Smartphones
Space-Constrained, Low-Power Audio/Video
Portable Devices

Features

- ◆ DC-Coupled Output
- ◆ Direct Connection to Video DAC
- ◆ Video Output Black Level Set to Ground
- ◆ Video Reconstruction Filter with 50dB Attenuation at 27MHz
- ◆ 6dB Gain
- ◆ 1.7Ω R_{ON} Analog Switch
- ◆ 10nA Shutdown Supply Current
- ◆ 2.7V to 3.6V Single-Supply Operation

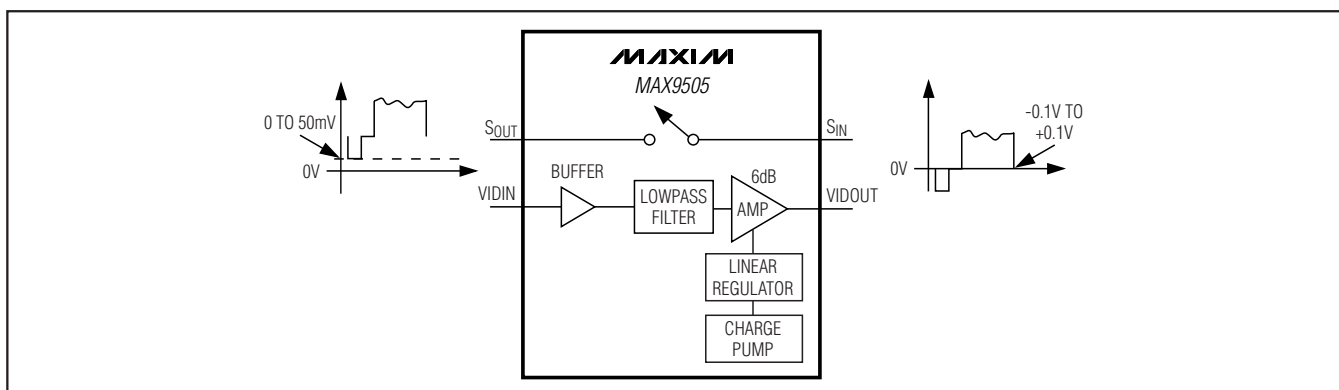
Ordering Information

PART*	PIN-PACKAGE	PKG CODE	TOP MARK
MAX9505EEE	16 QSOP	E16-4	—
MAX9505ETE	16 TQFN	T1633-4	ACW

*All devices are specified over the -40°C to $+85^\circ\text{C}$ operating temperature range.

Functional Diagram/Typical Operating Circuit and Pin Configurations appear at end of data sheet.

Block Diagram



DirectDrive Video Amplifier with Reconstruction Filter and Analog Switch

ABSOLUTE MAXIMUM RATINGS

V _{DD} to SGND	-0.3V to +4V
VIDIN to SGND	-0.3V to +4V
BIAS to SGND	-0.3V to (V _{DD} + 0.3V)
MODE0, MODE1 to SGND	-0.3V to +4V
SIN, SOUT, VIDOUT to SGND	(The greater of V _{SS} and -2V) to (V _{DD} + 0.3V)
CPV _{DD} to CPGND	-0.3V to +4V
C1P, C1N, CPV _{SS}	Capacitor Connection Only
CPGND, SGND, GND	-0.1V to +0.1V
CPV _{SS} to V _{SS}	-0.1V to +0.1V

VIDOUT Short Circuit to V _{DD} , SGND and the Greater of (V _{SS} and -2V)	Continuous
Continuous Current	VIDIN, BIAS, MODE0, MODE1, SIN, SOUT
Continuous Power Dissipation (T _A = +70°C)	±20mA
16-Pin QSOP (derate 8.3mW/°C above +70°C)	667mW
16-Pin TQFN (derate 15.6mW/°C above +70°C)	1349mW
Operating Temperature Range	-40°C to +85°C
Junction Temperature	+150°C
Storage Temperature Range	-65°C to +150°C
Lead Temperature (soldering, 10s)	+300°C

Stresses beyond those listed under "Absolute Maximum Ratings" may cause permanent damage to the device. These are stress ratings only, and functional operation of the device at these or any other conditions beyond those indicated in the operational sections of the specifications is not implied. Exposure to absolute maximum rating conditions for extended periods may affect device reliability.

ELECTRICAL CHARACTERISTICS

(V_{DD} = CPV_{DD} = MODE1 = 3.0V, MODE0 = SGND = GND = CPGND = 0V, C1 = C2 = C3 = C4 = 1μF, R_{BIAS} = 100kΩ, T_A = T_{MIN} to T_{MAX}. R_L = 150Ω to SGND, unless otherwise noted. V_{VIDIN} = 286mV, gain = 6dB. Typical values are at V_{DD} = CPV_{DD} = MODE1 = 3.0V, T_A = +25°C, unless otherwise noted.) (Note 1)

PARAMETER	SYMBOL	CONDITIONS	MIN	TYP	MAX	UNITS
Supply Voltage Range	V _{DD} , CPV _{DD}	Guaranteed by DC voltage gain and quiescent supply current	2.7		3.6	V
Quiescent Supply Current	I _{DD}	V _{DD} = 3.6V (I _{DD} = I _{VDD} + I _{CPVDD} , R _L = ∞)		12	15	mA
Shutdown Supply Current	I _{SHDN}	V _{DD} = 3.6V (I _{SHDN} = I _{VDD} + I _{CPVDD}), SHDN = SGND		0.01	1	μA
Bias Voltage	V _{BIAS}			1		V
VIDEO AMPLIFIER						
Input Voltage Range	V _{RANGE}	Guaranteed by DC voltage gain, V _{DD} = 2.7V	-0.10		+1.05	V
		Guaranteed by DC voltage gain, V _{DD} = 3V	-0.10		+1.28	
Input Current	I _{IN}	V _{DD} = 2.7V	-2.5		+2.5	μA
Input Resistance	R _{IN}			1		MΩ
DC Voltage Gain (Note 2)	A _V	V _{DD} = 2.7V to 3.6V	5.5	6	6.5	dB
Output Black Level (Note 3)		V _{DD} = 2.7V	-0.1	0	+0.1	V
Output Voltage Swing		Guaranteed by DC voltage gain, V _{DD} = 2.7V	2.162			V _{P-P}
		Guaranteed by DC voltage gain, V _{DD} = 3V	2.594			
Output Short-Circuit Current	I _{SC}	Sinking or sourcing		50		mA
Output Resistance	R _{OUT}			0.01		Ω
Shutdown Output Impedance		MODE1 = MODE0 = SGND		4		kΩ
VIDOUT Leakage Current		MODE1 = MODE0 = V _{DD}		0.01		μA
		MODE1 = SGND and MODE0 = V _{DD}		0.01		

DirectDrive Video Amplifier with Reconstruction Filter and Analog Switch

MAX9505

ELECTRICAL CHARACTERISTICS (continued)

($V_{DD} = CPV_{DD} = MODE1 = 3.0V$, $MODE0 = SGND = GND = CPGND = 0V$, $C1 = C2 = C3 = C4 = 1\mu F$, $R_{BIAS} = 100k\Omega$, $T_A = T_{MIN}$ to T_{MAX} . $R_L = 150\Omega$ to $SGND$, unless otherwise noted. $V_{VIDIN} = 286mV$, gain = 6dB. Typical values are at $V_{DD} = CPV_{DD} = MODE1 = 3.0V$, $T_A = +25^\circ C$, unless otherwise noted.) (Note 1)

PARAMETER	SYMBOL	CONDITIONS	MIN	TYP	MAX	UNITS
ANALOG SWITCH						
On-Resistance	R_{ON}	MODE0 = V_{DD} , $I_{SIN} = 10mA$	MODE1 = V_{DD}	1.7	4.4	Ω
			MODE1 = $SGND$	1.2	2.5	
On-Resistance Flatness (Note 4)		MODE0 = V_{DD} , $I_{SIN} = 10mA$, $V_{DD} = 3V$	MODE1 = V_{DD}	0.5	0.9	Ω
			MODE1 = $SGND$	0.3	0.5	
S_{OUT} Off-Leakage Current (Note 5)		MODE0 = $SGND$, $V_{DD} = 3.6V$, $V_{SIN} = 0.3V$, $3.3V$, $V_{SOUT} = 3.3V$, $0.3V$	-1		+1	nA
S_{IN} On-Leakage Current (Note 5)		MODE0 = V_{DD} , $V_{DD} = 3.6V$, $V_{SIN} = 0.3V$, $3.3V$, $V_{SOUT} = 3.3V$, $0.3V$	-1		+1	nA
Turn-On Time		$V_{SIN} = 1.5V$, $R_L = 300\Omega$, $C_L = 35pF$, Figure 1; $V_{IH} = 1.5V$, $V_{IL} = 0V$		35	60	ns
Turn-Off Time		$V_{SIN} = 1.5V$; $R_L = 300\Omega$, $C_L = 35pF$, Figure 1; $V_{IH} = 1.5V$, $V_{IL} = 0V$		50	80	ns
Charge Injection		$V_{GEN} = 1.5V$, $R_{GEN} = 0\Omega$, $C_L = 1nF$, Figure 2		20		pC
Off-Isolation		MODE0 = $SGND$, $f = 10MHz$; $V_{SOUT} = 1VP-P$, $R_L = 50\Omega$, $C_L = 5pF$		30		dB
		MODE0 = $SGND$, $f = 1MHz$; $V_{SOUT} = 1VP-P$, $R_L = 50\Omega$, $C_L = 5pF$		50		
On-Channel -3dB Bandwidth		MODE0 = V_{DD} , signal = 0dBm, $R_L = 50\Omega$, $C_L = 5pF$		200		MHz
Total Harmonic Distortion		MODE0 = V_{DD} , $V_{SIN} = 2VP-P$, $R_L = 600\Omega$		0.025		%
S_{OUT} Off-Capacitance		MODE0 = $SGND$, $f = 1MHz$		18		pF
Switch On-Capacitance		MODE0 = V_{DD} , $f = 1MHz$		60		pF
CROSSTALK (VIDEO TO AUDIO)						
VIDIN to S_{IN}		MODE1 = MODE0 = V_{DD} , $f = 20kHz$, $1VP-P$ at VIDIN		100		dB
VIDOUT to S_{IN}		MODE1 = V_{DD} , MODE0 = $SGND$, $f = 20kHz$, $2VP-P$ at VIDOUT		85		dB
CHARGE PUMP						
Switching Frequency			150	250	300	kHz
LOGIC SIGNALS (MODE0, MODE1)						
Logic-Low Threshold	V_{IL}	$V_{DD} = 2.7V$ to $3.6V$			0.5	V
Logic-High Threshold	V_{IH}	$V_{DD} = 2.7V$ to $3.6V$	1.5			V
Logic Input Current	I_{IL}				1	μA

DirectDrive Video Amplifier with Reconstruction Filter and Analog Switch

AC ELECTRICAL CHARACTERISTICS

($V_{DD} = CPV_{DD} = MODE1 = 3.0V$, $MODE0 = SGND = GND = CPGND = 0V$, $C1 = C2 = C3 = C4 = 1\mu F$, $R_{BIAS} = 100k\Omega$, $T_A = T_{MIN}$ to T_{MAX} . $R_L = 150\Omega$ to $SGND$, unless otherwise noted. $V_{VIDIN} = 286mV$, gain = 6dB. Typical values are at $V_{DD} = CPV_{DD} = MODE1 = 3.0V$, $T_A = +25^\circ C$, unless otherwise noted.) (Note 1)

PARAMETER	SYMBOL	CONDITIONS	MIN	TYP	MAX	UNITS
Passband Flatness		$V_{DD} = 2.7V$, $f = 100kHz$ to $5.5MHz$	-1	0	+1	dB
Attenuation		$V_{DD} = 2.7V$, $VIDOUT = 2V_{P-P}$, attenuation is referred to $100kHz$	$f = 9.1MHz$		3	dB
			$f = 27MHz$		35 50	
Power-Supply Rejection Ratio	PSRR	$f = 100kHz$		62		dB
Output Impedance	Z_{OUT}	$f = 5MHz$		0.5		Ω
Differential Gain Error	DG	NTSC, $VIDOUT = 2V_{P-P}$		0.1		%
Differential Phase Error	DP	NTSC, $VIDOUT = 2V_{P-P}$		0.2		degrees
2T Pulse-to-Bar K Rating		$2T = 250ns$, bar time is $18\mu s$, the beginning 2.5% and the ending 2.5% of the bar time are ignored		-0.3		K%
2T Pulse Response		$2T = 250ns$		0.3		K%
2T Bar Response		$2T = 250ns$, bar time is $18\mu s$, the beginning 2.5% and the ending 2.5% of the bar time are ignored		0.7		K%
Nonlinearity		5-step staircase		0.2		%
Group Delay Distortion	DDt	$100kHz$ to $5.5MHz$		10		ns
$VIDOUT$ Capacitive-Load Stability	C_L	$V_{OUT} = 2V_{P-P}$, no sustained oscillations		20		pF
Peak Signal-to-RMS Noise	SNR	$100kHz$ to $5.5MHz$		64		dB
Enable Time	t_{ON}	$VIDIN = 0.5V$, $VIDOUT$ settled to within 1% of the final voltage		0.2		ms
Disable Time	t_{OFF}	$VIDIN = 0.5V$, $VIDOUT$ settled to below 1% of the output voltage		0.1		ms

Note 1: All devices are 100% production tested at $T_A = +25^\circ C$. Specifications over temperature are guaranteed by design.

Note 2: Voltage gain (A_V) is a two-point measurement in which the output voltage swing is divided by the input voltage swing.

Note 3: With an output load attached, this offset will directly contribute to quiescent current.

Note 4: Flatness is defined as the difference between the maximum and minimum value of on-resistance as measured over the specified analog signal ranges.

Note 5: Guaranteed by design.

DirectDrive Video Amplifier with Reconstruction Filter and Analog Switch

Timing Diagrams

MAX9505

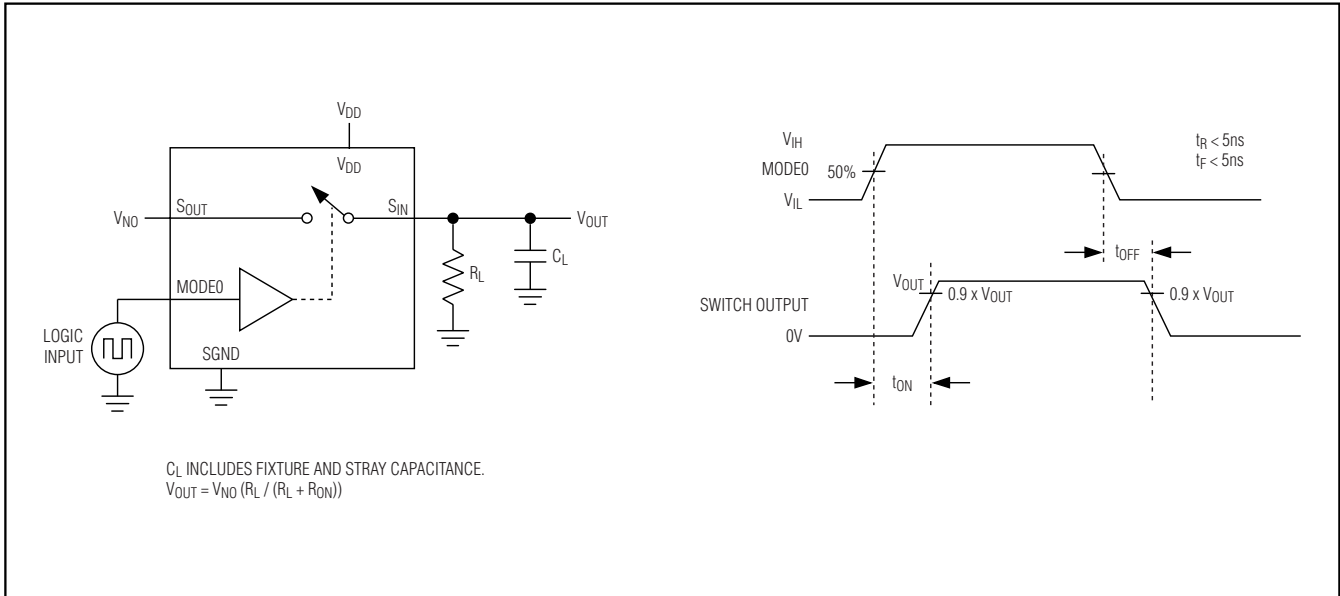


Figure 1. Analog Switch Turn-On/Off Time

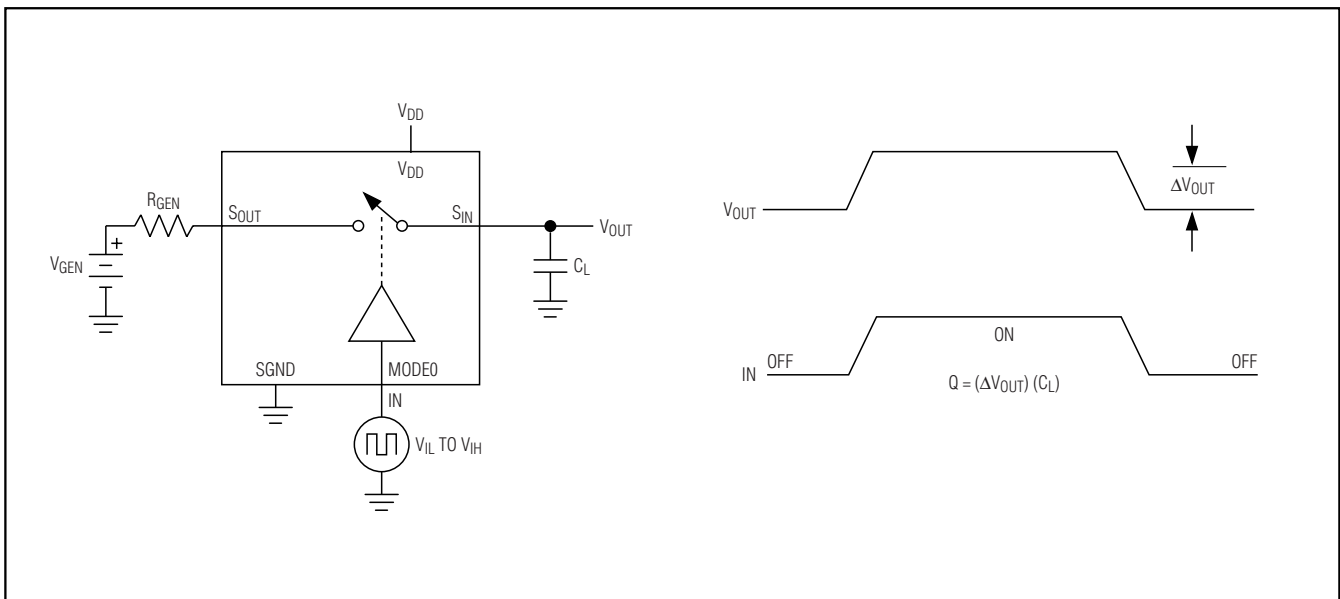


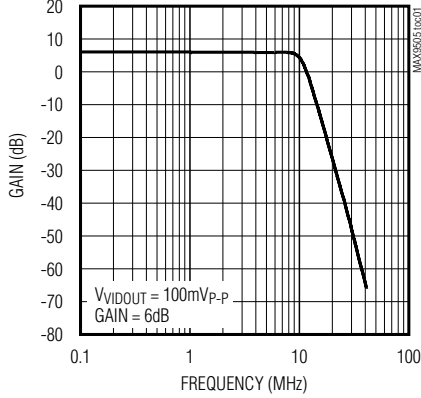
Figure 2. Charge Injection

DirectDrive Video Amplifier with Reconstruction Filter and Analog Switch

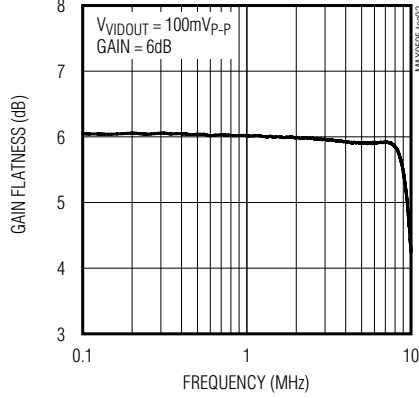
Typical Operating Characteristics

($V_{DD} = CPV_{DD} = MODE1 = 3.0V$, $MODE0 = SGND = GND = CPGND = 0V$, no load, $C1 = C2 = C3 = C4 = 1\mu F$, $R_{BIAS} = 100k\Omega$, $T_A = T_{MIN}$ to T_{MAX} . $R_{IN} = 150\Omega$ to $SGND$, unless otherwise noted. $V_{VIDIN} = 286mV$, gain = 6dB. Typical values are at $T_A = +25^\circ C$, unless otherwise noted.)

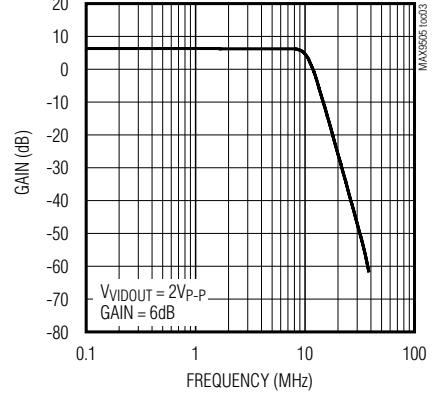
SMALL-SIGNAL GAIN vs. FREQUENCY



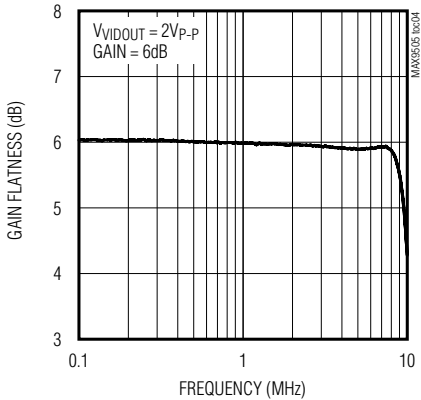
SMALL-SIGNAL GAIN FLATNESS vs. FREQUENCY



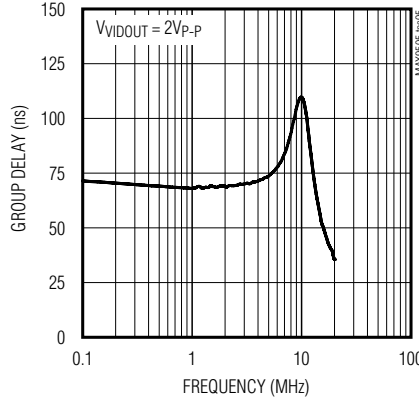
LARGE-SIGNAL GAIN vs. FREQUENCY



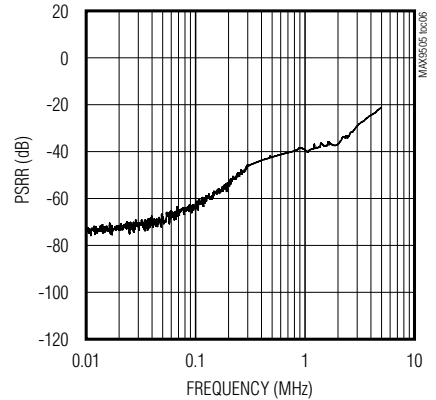
LARGE-SIGNAL GAIN FLATNESS vs. FREQUENCY



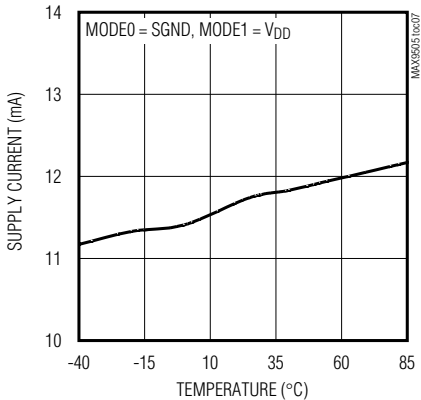
GROUP DELAY



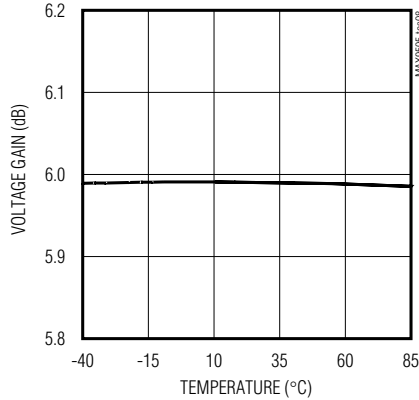
POWER-SUPPLY REJECTION RATIO vs. FREQUENCY



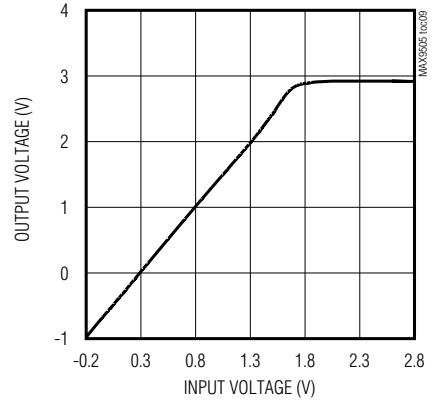
QUIESCENT SUPPLY CURRENT vs. TEMPERATURE (VIDEO MODE)



VOLTAGE GAIN vs. TEMPERATURE



OUTPUT VOLTAGE vs. INPUT VOLTAGE

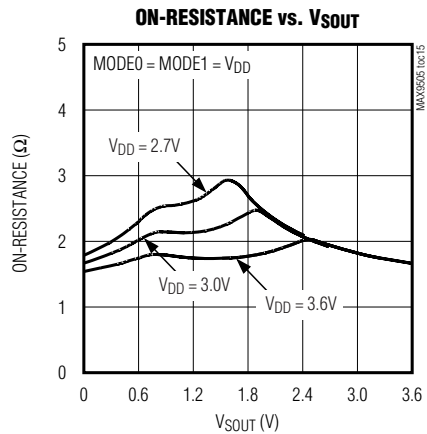
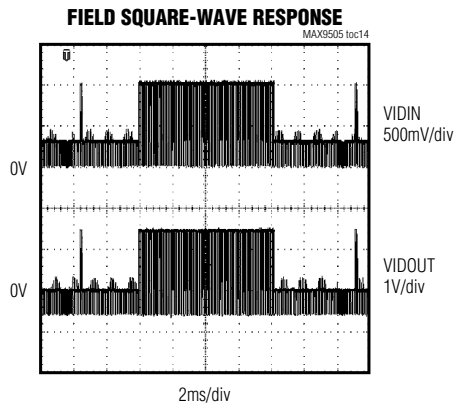
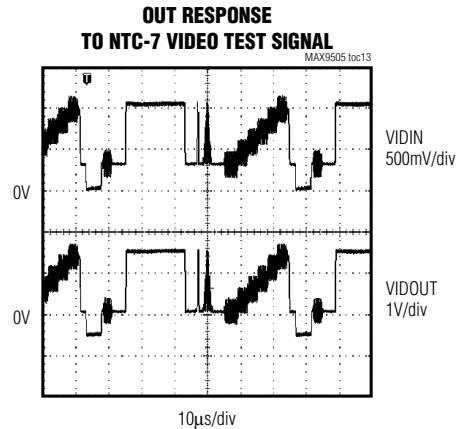
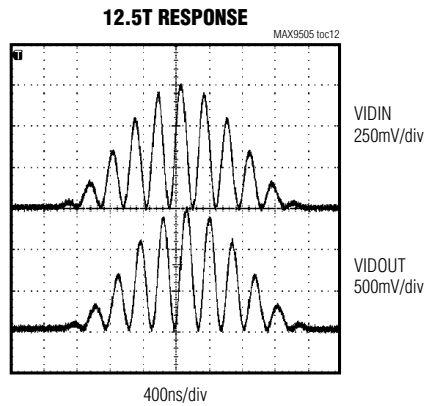
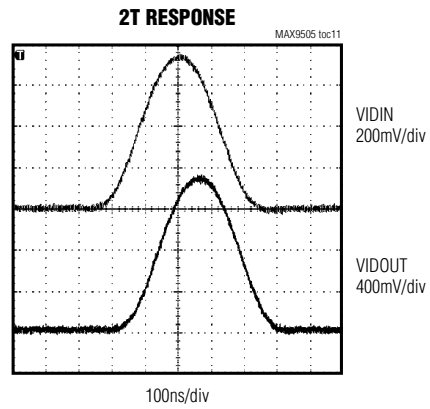
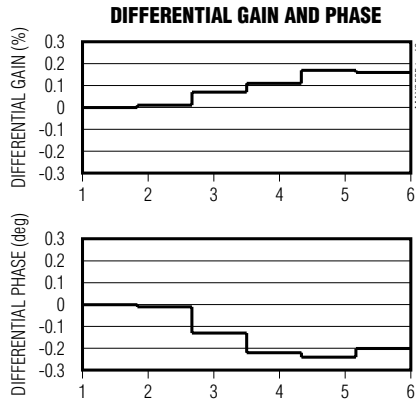


DirectDrive Video Amplifier with Reconstruction Filter and Analog Switch

MAX9505

Typical Operating Characteristics (continued)

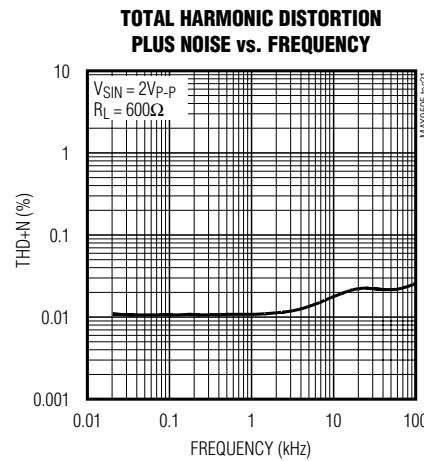
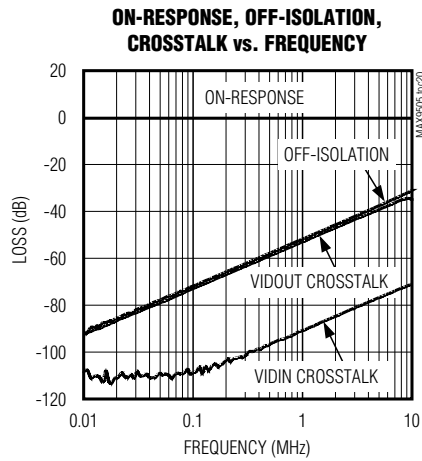
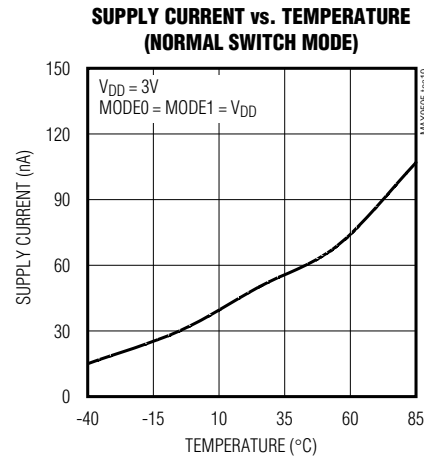
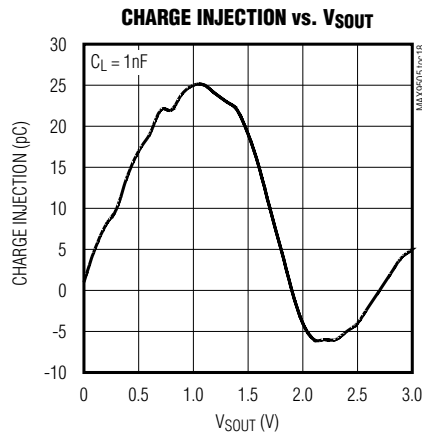
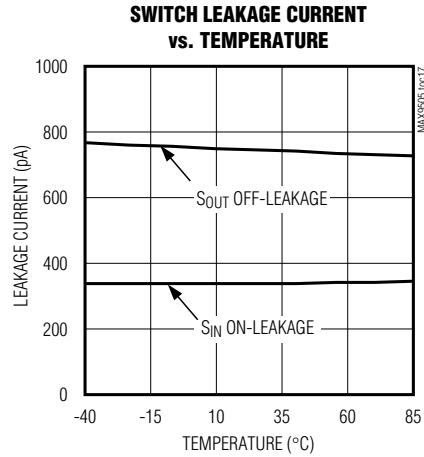
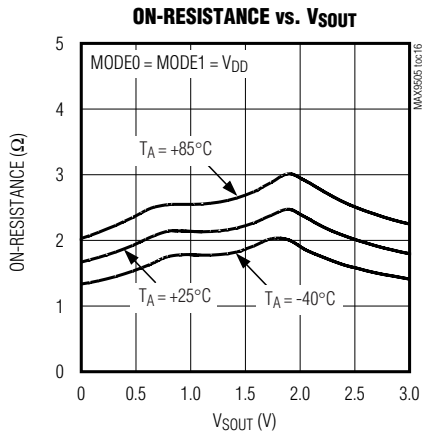
($V_{DD} = CPV_{DD} = MODE1 = 3.0V$, $MODE0 = SGND = GND = CPGND = 0V$, no load, $C1 = C2 = C3 = C4 = 1\mu F$, $R_{BIAS} = 100k\Omega$, $T_A = T_{MIN}$ to T_{MAX} . $R_{IN} = 150\Omega$ to $SGND$, unless otherwise noted. $V_{VIDIN} = 286mV$, gain = 6dB. Typical values are at $T_A = +25^\circ C$, unless otherwise noted.)



DirectDrive Video Amplifier with Reconstruction Filter and Analog Switch

Typical Operating Characteristics (continued)

($V_{DD} = CPV_{DD} = MODE1 = 3.0V$, $MODE0 = SGND = GND = CPGND = 0V$, no load, $C1 = C2 = C3 = C4 = 1\mu F$, $R_{BIAS} = 100k\Omega$, $T_A = T_{MIN}$ to T_{MAX} . $R_{IN} = 150\Omega$ to $SGND$, unless otherwise noted. $V_{VIDIN} = 286mV$, gain = 6dB. Typical values are at $T_A = +25^\circ C$, unless otherwise noted.)



DirectDrive Video Amplifier with Reconstruction Filter and Analog Switch

Pin Description

MAX9505

PIN		NAME	FUNCTION
QSOP	TQFN		
1	15	V _{SS}	Negative Power Supply. Connect to CPV _{SS} .
2	16	CPV _{SS}	Charge-Pump Negative Power Supply. Bypass with a 1μF capacitor to CPGND.
3	1	C1N	Charge-Pump Flying Capacitor Negative Terminal. Connect a 1μF capacitor from C1P to C1N.
4	2	CPGND	Charge-Pump Power Ground
5	3	C1P	Charge-Pump Flying Capacitor Positive Terminal. Connect a 1μF capacitor from C1P to C1N.
6	4	CPV _{DD}	Charge-Pump Positive Power Supply. Bypass with a 1μF capacitor to CPGND.
7	5	BIAS	Common-Mode Voltage. Connect a 100kΩ resistor from BIAS to SGND.
8	6	SGND	Signal Ground. Connect to GND.
9	7	VIDIN	Video Input
10	8	MODE0	Mode Logic Input 0. See Table 1.
11	9	MODE1	Mode Logic Input 1. See Table 1.
12	10	GND	Ground. Connect to SGND.
13	11	V _{DD}	Positive Power Supply. Bypass with a 1μF capacitor to SGND.
14	12	SOUT	Analog Switch Output
15	13	VIDOUT	Video Output
16	14	SIN	Analog Switch Input
—	EP	EP	Exposed Paddle. Connect to GND.

Detailed Description

The MAX9505 completely eliminates the need for capacitors in the video output by using Maxim's DirectDrive technology that includes an inverting charge pump and linear regulator. The charge pump and linear regulator create a clean negative supply allowing the amplifier output to swing below ground. The amplifier output can swing both positive and negative so that the video signal black level can be placed at ground. The MAX9505 features a six-pole, Butterworth filter to perform reconstruction filtering on the video input signal from the DAC.

DirectDrive Background

Integrated video filter/amplifier circuits operating from a single, positive supply usually create video output signals that are level-shifted above ground to keep the signal within the linear range of the output amplifier. For applications in which the positive DC level shift of the video signal is not acceptable, a series capacitor can be inserted in the output connection in an attempt to eliminate the positive DC level shift. The series capacitor cannot truly level shift a video signal because the

average level of the video varies with picture content. The series capacitor biases the video output signal around ground, but the actual level of the video signal can vary significantly depending upon the RC time constant and the picture content.

The series capacitor creates a highpass filter. Since the lowest frequency in video is the frame rate, which can be between 24Hz and 30Hz, the pole of the highpass filter should ideally be an order of magnitude lower in frequency than the frame rate. Therefore, the series capacitor must be very large, typically from 220μF to 3000μF. For space-constrained equipment, the series capacitor is unacceptable. Changing from a single series capacitor to a SAG network that requires two smaller capacitors can only reduce space and cost slightly.

The series capacitor in the usual output connection also prevents damage to the output amplifier if the connector is shorted to a supply or to ground. While the output connection of the MAX9505 does not have a series capacitor, the MAX9505 will not be damaged if the connector is shorted to a supply or to ground (see the *Short-Circuit Protection* section).

DirectDrive Video Amplifier with Reconstruction Filter and Analog Switch

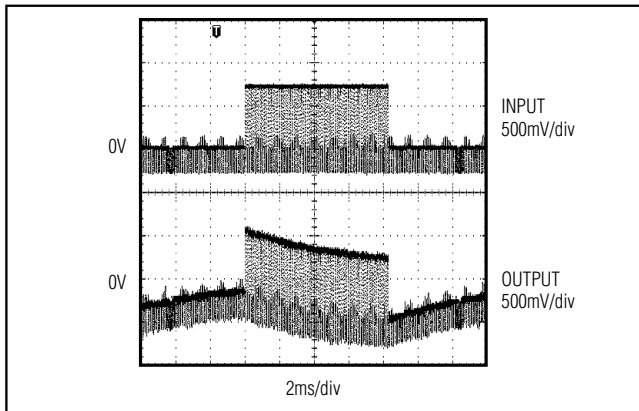


Figure 3. AC-Coupled Output

Video Amplifier

Typically, the black level of the video signal created by the video DAC is around 300mV. The MAX9505 shifts the black level to ground at the output. Therefore, the active video is above ground, and sync is below ground. The amplifier needs a negative supply for its output stage to remain in its linear region when driving sync below ground.

The MAX9505 has an integrated charge pump and linear regulator to create a low-noise negative supply from the positive supply voltage. The charge pump inverts the positive supply to create a raw negative voltage that is then fed into the linear regulator, which outputs -2V. The linear regulator filters out the charge-pump noise.

Comparison Between DirectDrive Output and AC-Coupled Output

The actual level of the video signal varies less with a DirectDrive output than an AC-coupled output. The video signal average can change greatly depending upon the picture content. With an AC-coupled output, the average will change according to the time constant formed by the series capacitor and series resistance (usually 150Ω). For example, Figure 3 shows an AC-coupled video signal alternating between a completely black screen and a completely white screen. Notice the excursion of the video signal as the screen changes.

With the DirectDrive amplifier, the black level is held at ground. The video signal is constrained between -0.3V to +0.7V. Figure 4 shows the video signal from a DirectDrive amplifier with the same input signal as the AC-coupled system.

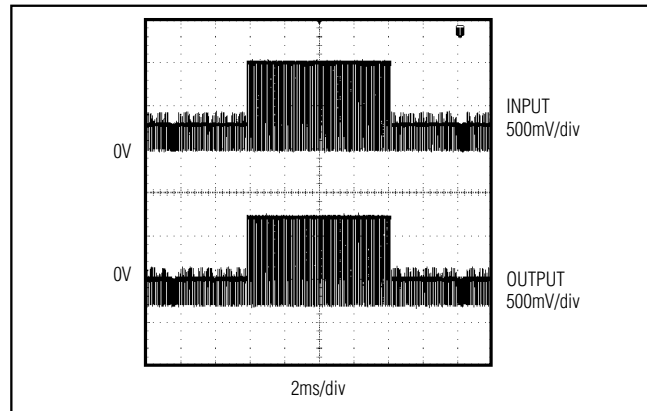


Figure 4. DirectDrive Output

Analog Switch

The MAX9505 features an internal 4.4Ω (max) analog normally open switch that interfaces with a 4-pole multi-media jack in which one of the poles can be set to a video input, a video output, or a microphone input. The switch has three modes of operation: open, normal switch, and extended range switch. In normal switch mode, the analog range is from 0V to V_{DD}. In extended-range switch mode, the analog range is from -2V to V_{DD}. Logic inputs MODE1 and MODE0 control the analog switch operating modes (Table 1).

Video Reconstruction Filter

Before the video signal from the DAC can be amplified, it must be lowpass filtered to smooth the steps and to reduce the spikes created whenever the DAC output changes value. In the frequency domain, the steps and spikes cause images of the video signal to appear at multiples of the sampling clock. The MAX9505 contains a six-pole Butterworth lowpass filter. The passband extends to 5.5MHz, and the minimum attenuation is 35dB at 27MHz.

Operating Modes

The MAX9505 uses two logic inputs to set the device into one of the following modes: 1) shutdown mode, 2) extended-range switch mode, 3) video output mode, and 4) normal switch mode.

In video output mode, the video circuitry is on, the charge pump is on, and the analog switch is open. In normal switch mode, the analog switch is closed, and the video circuitry and charge pump are off. In the extended-range switch mode, the charge pump is on and the analog switch is closed. Shutdown mode reduces the supply current to 10nA typically (see Table 1 and *Typical Application Circuits*).

DirectDrive Video Amplifier with Reconstruction Filter and Analog Switch

Table 1. Operating Modes

OPERATING MODE	MODE1	MODE0	VIDEO CIRCUIT	CHARGE PUMP	ANALOG SWITCH	COMMENTS
Shutdown Mode	0	0	Off	Off	Open	Video output is 4kΩ and analog switch is open
Extended Range Switch Mode	0	1	Off	On	Closed	Video output is high impedance. Analog switch range is from -2V to V _{DD} .
Video Output Mode	1	0	On	On	Open	Video output is in normal operation. Analog switch is open.
Normal Switch Mode	1	1	Off	Off	Closed	Video output is high impedance. Analog switch range is from SGND to V _{DD} .

Short-Circuit Protection

The MAX9505 typical operating circuit includes a 75Ω back-termination resistor that limits short-circuit current if an external short is applied to the video output. The MAX9505 features internal output, short-circuit protection to prevent device damage in prototyping and applications where the amplifier output can be directly shorted.

Shutdown

The MAX9505 features a low-power shutdown mode for battery-powered/portable applications. Shutdown reduces the quiescent current to less than 10nA. Setting MODE1 and MODE0 low disables the outputs and places the MAX9505 into a low-power shutdown mode. In shutdown mode the amplifier, charge pump, and linear regulator are turned off and the video output resistance is 4kΩ.

Applications Information

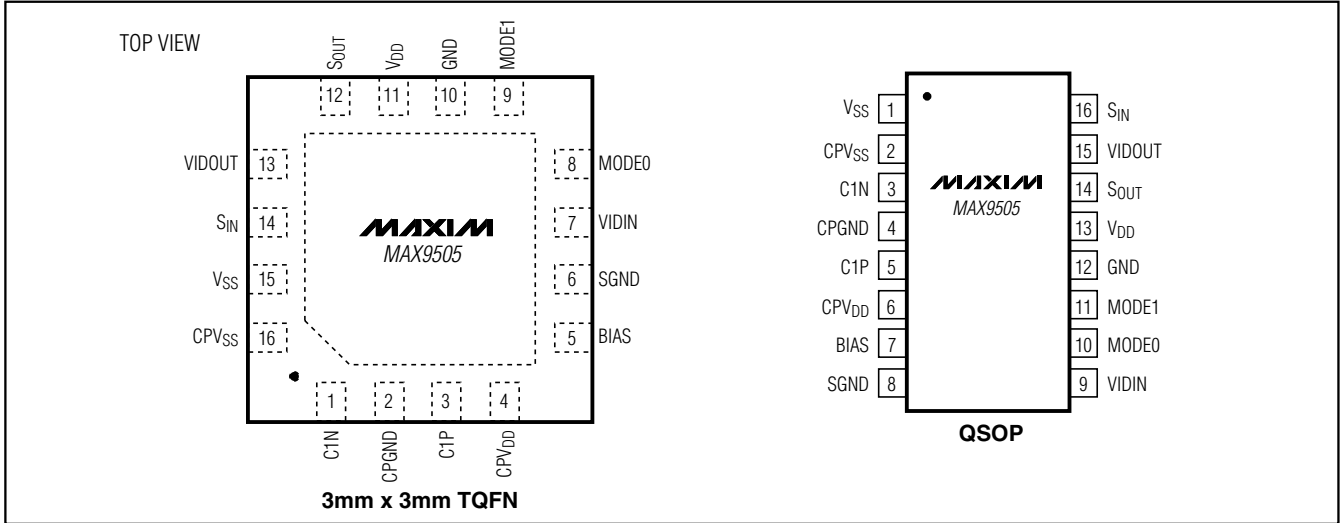
Power-Supply Bypassing and Ground Management

The MAX9505 operates from a 2.7V to 3.6V single supply and requires proper layout and bypassing. For the best performance, place the components as close to the device as possible.

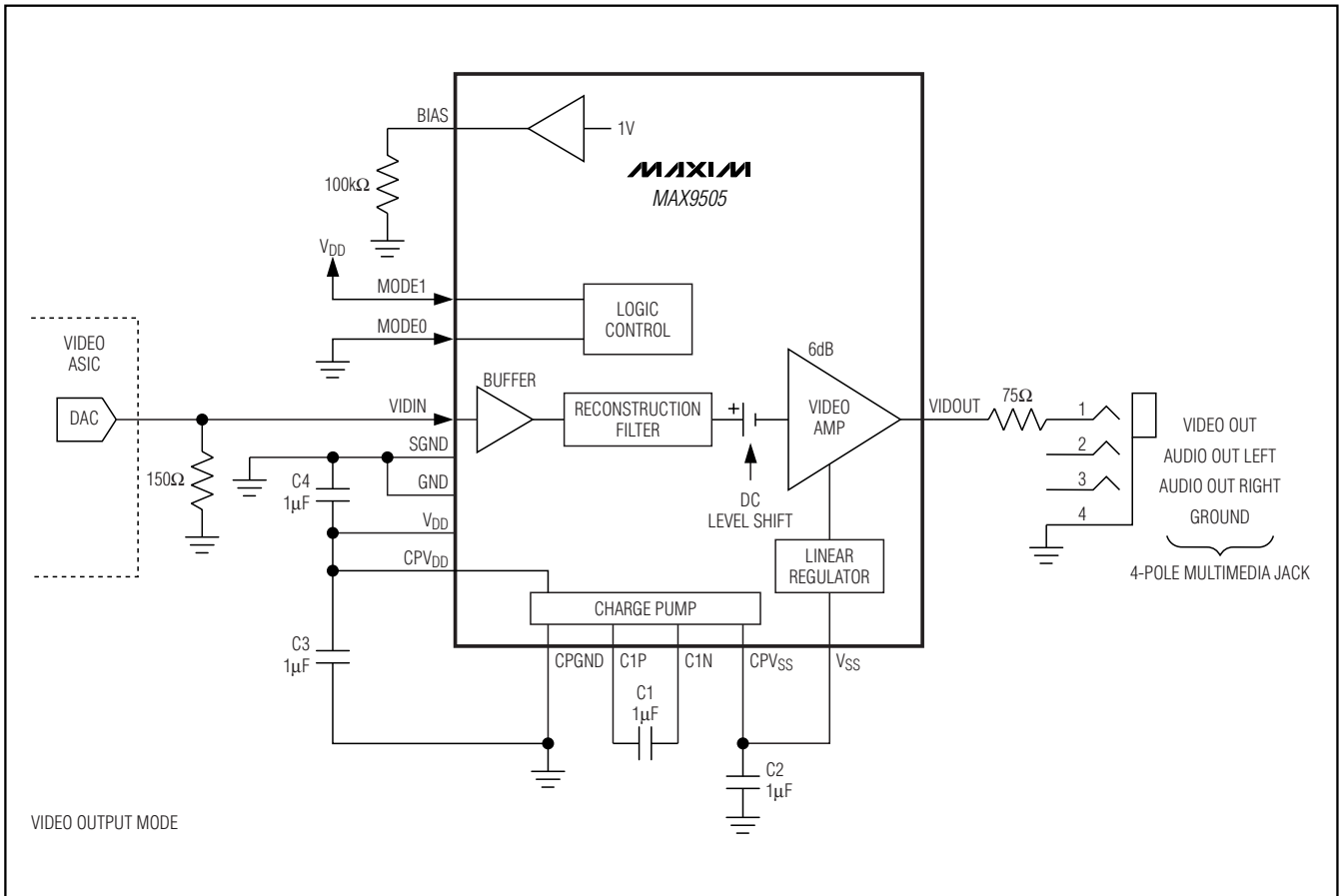
Proper grounding improves performance and prevents any switching noise from coupling into the video signal. Connect GND and SGND together at a single point on the PC board. Route all traces that carry switching transients away from SGND. Return SGND to the lowest impedance ground available. Route CPGND and all traces carrying switching transients away from SGND, GND, and other traces and components in the video signal path. Bypass the analog supply (V_{DD}) with a 1μF capacitor to SGND, placed as close to the device as possible. Bypass the charge-pump supply (CPV_{DD}) with a 1μF capacitor to CPGND, placed as close to the device as possible. Connect CPV_{SS} to V_{SS} and bypass with a 1μF capacitor to CPGND as close to the device as possible.

DirectDrive Video Amplifier with Reconstruction Filter and Analog Switch

Pin Configurations



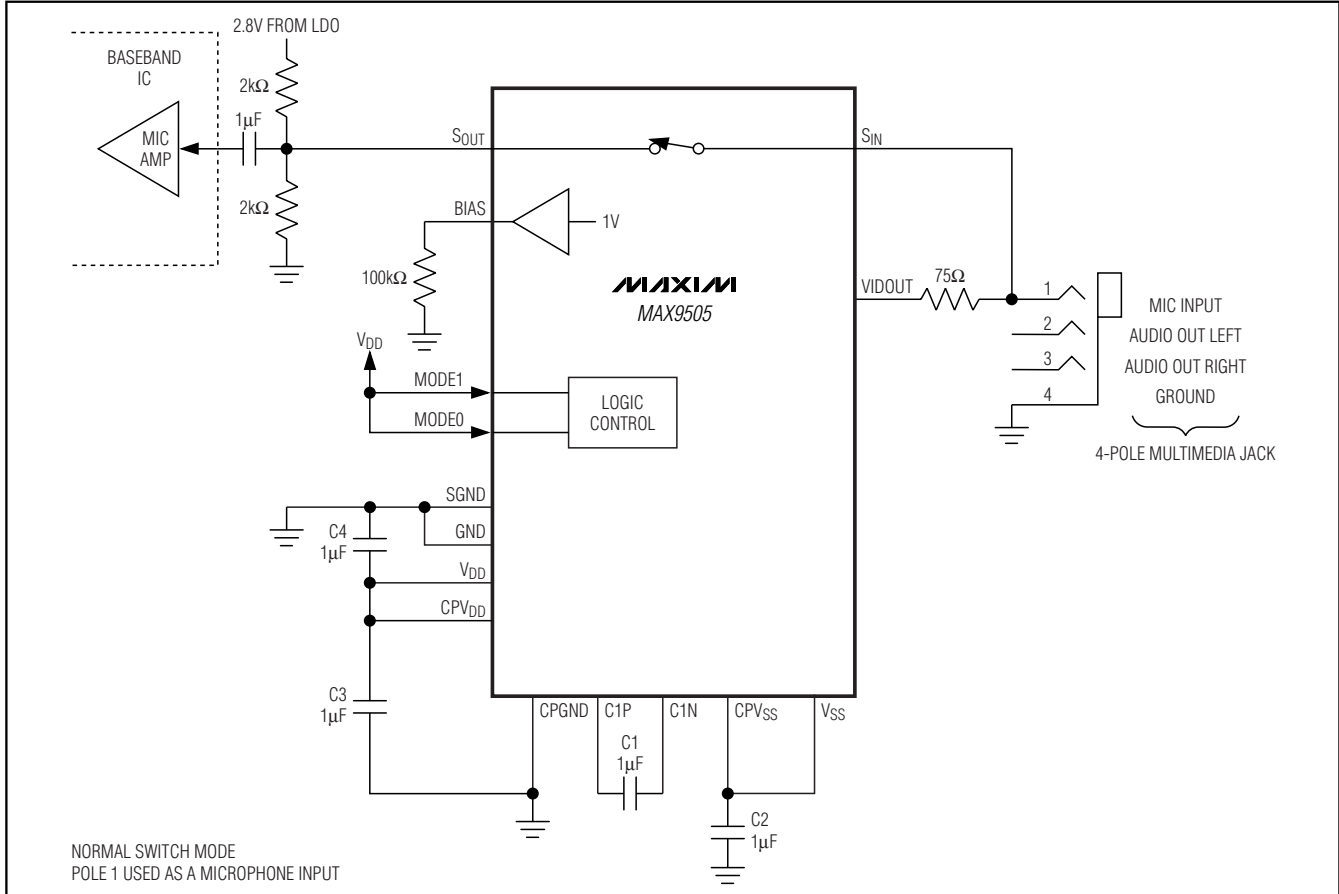
Functional Diagram/Typical Operating Circuits



DirectDrive Video Amplifier with Reconstruction Filter and Analog Switch

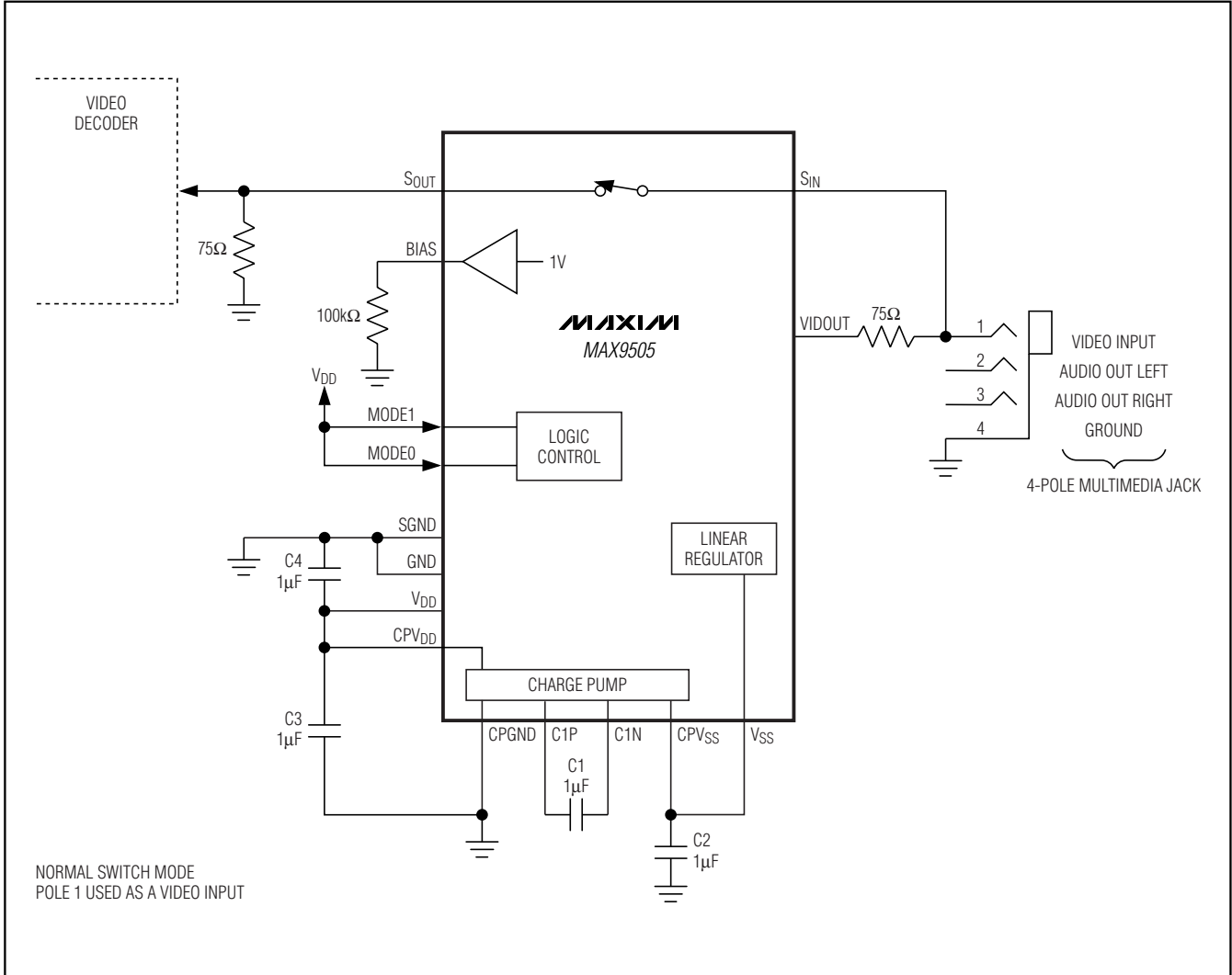
Functional Diagram/Typical Operating Circuits (continued)

MAX9505



DirectDrive Video Amplifier with Reconstruction Filter and Analog Switch

Functional Diagram/Typical Operating Circuits (continued)



Chip Information

PROCESS: BICMOS

DirectDrive Video Amplifier with Reconstruction Filter and Analog Switch

Package Information

(The package drawing(s) in this data sheet may not reflect the most current specifications. For the latest package outline information, go to www.maxim-ic.com/packages.)

MAX9505

DIM	INCHES		MILLIMETERS	
	MIN	MAX	MIN	MAX
A	.061	.068	1.55	1.73
A1	.004	.0098	0.102	0.249
A2	.055	.061	1.40	1.55
B	.008	.012	0.20	0.30
C	.0075	.0098	0.191	0.249
D	SEE VARIATIONS			
E	.150	.157	3.81	3.99
e	.025 BSC		0.635 BSC	
H	.230	.244	5.84	6.20
h	.010	.016	0.25	0.41
L	.016	.035	0.41	0.89
N	SEE VARIATIONS			
α	0°	8°	0°	8°

VARIATIONS:

DIM	INCHES		MILLIMETERS		N
	MIN.	MAX.	MIN.	MAX.	
D	.189	.196	4.80	4.98	16 AB
S	.0020	.0070	0.05	0.18	
D	.337	.344	8.56	8.74	20 AD
S	.0500	.0550	1.270	1.397	
D	.337	.344	8.56	8.74	24 AE
S	.0250	.0300	0.635	0.762	
D	.386	.393	9.80	9.98	28 AF
S	.0250	.0300	0.635	0.762	

NOTES:

- 1). D & E DO NOT INCLUDE MOLD FLASH OR PROTRUSIONS.
- 2). MOLD FLASH OR PROTRUSIONS NOT TO EXCEED .006" PER SIDE.
- 3). CONTROLLING DIMENSIONS: INCHES.
- 4). MEETS JEDEC MO137.

DALLAS SEMICONDUCTOR **MAXIM**

PROPRIETARY INFORMATION

TITLE:
PACKAGE OUTLINE, QSOP .150", .025" LEAD PITCH

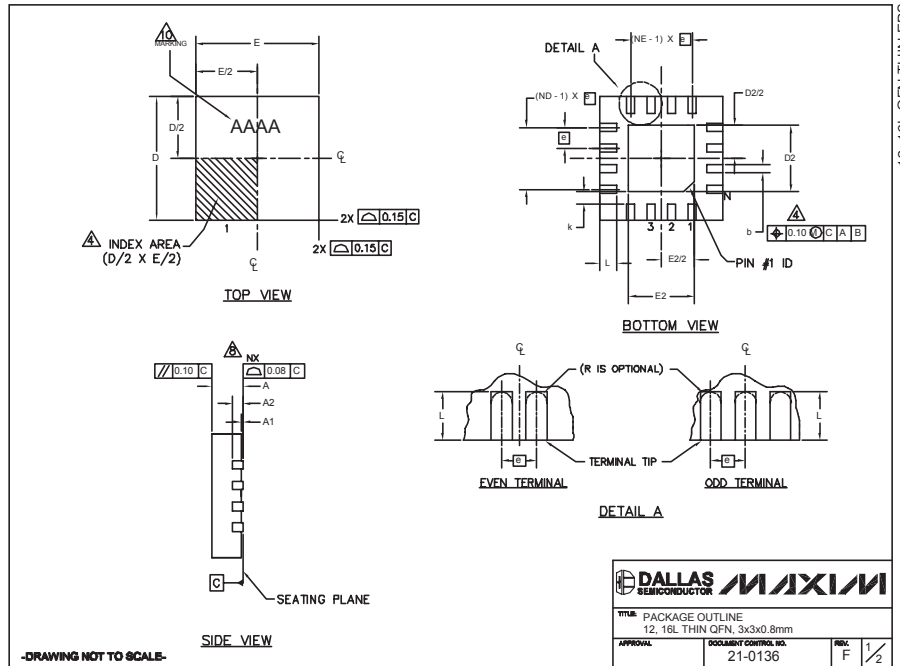
APPROVAL	DOCUMENT CONTROL NO. 21-0055	REV. E	1/1
----------	---------------------------------	-----------	-----

QSOP.EPS

DirectDrive Video Amplifier with Reconstruction Filter and Analog Switch

Package Information (continued)

(The package drawing(s) in this data sheet may not reflect the most current specifications. For the latest package outline information, go to www.maxim-ic.com/packages.)



-DRAWING NOT TO SCALE-

PKG	12L 3x3			16L 3x3		
REF.	MIN.	NOM.	MAX.	MIN.	NOM.	MAX.
A	0.70	0.75	0.80	0.70	0.75	0.80
b	0.20	0.25	0.30	0.20	0.25	0.30
D	2.90	3.00	3.10	2.90	3.00	3.10
E	2.90	3.00	3.10	2.90	3.00	3.10
e	0.50 BSC.			0.50 BSC.		
L	0.45	0.55	0.65	0.30	0.40	0.50
N	12			16		
ND	3			4		
NE	3			4		
A1	0	0.02	0.05	0	0.02	0.05
A2	0.20 REF			0.20 REF		
k	0.25	-	-	0.25	-	-

PKG. CODES	D2			E2			PIN ID	JEDEC	DOWN BONDS ALLOWED
	MIN.	NOM.	MAX.	MIN.	NOM.	MAX.			
T1233-1	0.95	1.10	1.25	0.95	1.10	1.25	0.35 x 45°	WEED-1	NO
T1233-3	0.95	1.10	1.25	0.95	1.10	1.25	0.35 x 45°	WEED-1	YES
T1233-4	0.95	1.10	1.25	0.95	1.10	1.25	0.35 x 45°	WEED-1	YES
T1633-1	0.95	1.10	1.25	0.95	1.10	1.25	0.35 x 45°	WEED-2	NO
T1633-2	0.95	1.10	1.25	0.95	1.10	1.25	0.35 x 45°	WEED-2	YES
T1633F-3	0.65	0.80	0.95	0.65	0.80	0.95	0.225 x 45°	WEED-2	N/A
T1633FH-3	0.65	0.80	0.95	0.65	0.80	0.95	0.225 x 45°	WEED-2	N/A
T1633-4	0.95	1.10	1.25	0.95	1.10	1.25	0.35 x 45°	WEED-2	NO

NOTES:

- DIMENSIONING & TOLERANCING CONFORM TO ASME Y14.5M-1994.
- ALL DIMENSIONS ARE IN MILLIMETERS. ANGLES ARE IN DEGREES.
- N IS THE TOTAL NUMBER OF TERMINALS.
- THE TERMINAL #1 IDENTIFIER AND TERMINAL NUMBERING CONVENTION SHALL CONFORM TO JEDEC 95-1 SPP-012. DETAILS OF TERMINAL #1 IDENTIFIER ARE OPTIONAL, BUT MUST BE LOCATED WITHIN THE ZONE INDICATED. THE TERMINAL #1 IDENTIFIER MAY BE EITHER A MOLD OR MARKED FEATURE.
- DIMENSION b APPLIES TO METALLIZED TERMINAL AND IS MEASURED BETWEEN 0.20 mm AND 0.25 mm FROM TERMINAL TIP.
- ND AND NE REFER TO THE NUMBER OF TERMINALS ON EACH D AND E SIDE RESPECTIVELY.
- DEPOPULATION IS POSSIBLE IN A SYMMETRICAL FASHION.
- COPLANARITY APPLIES TO THE EXPOSED HEAT SINK SLUG AS WELL AS THE TERMINALS.
- DRAWING CONFORMS TO JEDEC MO220 REVISION C.
- MARKING IS FOR PACKAGE ORIENTATION REFERENCE ONLY
- NUMBER OF LEADS SHOWN ARE FOR REFERENCE ONLY

-DRAWING NOT TO SCALE-

DALLAS SEMICONDUCTOR **MAXIM**

TITLE: PACKAGE OUTLINE
12, 16L THIN QFN, 3x3x0.8

APPROVAL: DOCUMENT CONTROL NO. 21-0136 REV. F 2/2

Maxim cannot assume responsibility for use of any circuitry other than circuitry entirely embodied in a Maxim product. No circuit patent licenses are implied. Maxim reserves the right to change the circuitry and specifications without notice at any time.

16 **Maxim Integrated Products, 120 San Gabriel Drive, Sunnyvale, CA 94086 408-737-7600**