



# NEW PART RELEASE FORM

REVISION: **F**  
PAGE 1 OF 4

PART NUMBER:  
**105-C30-0S**

DESCRIPTION:  
**RACK SLIDE, 24 INCH, 85 LBS**

INSPECTION CODE  
0 - UNDECLARED  
1 - NUCLEAR  
2 - LEAD FREE  
3 - ROHS COMPLIANT  
4 - NON COMPLIANT  
5 - ROHS W/EXEMPTION

ENTER #  
**3**

ADDITIONAL INFORMATION:

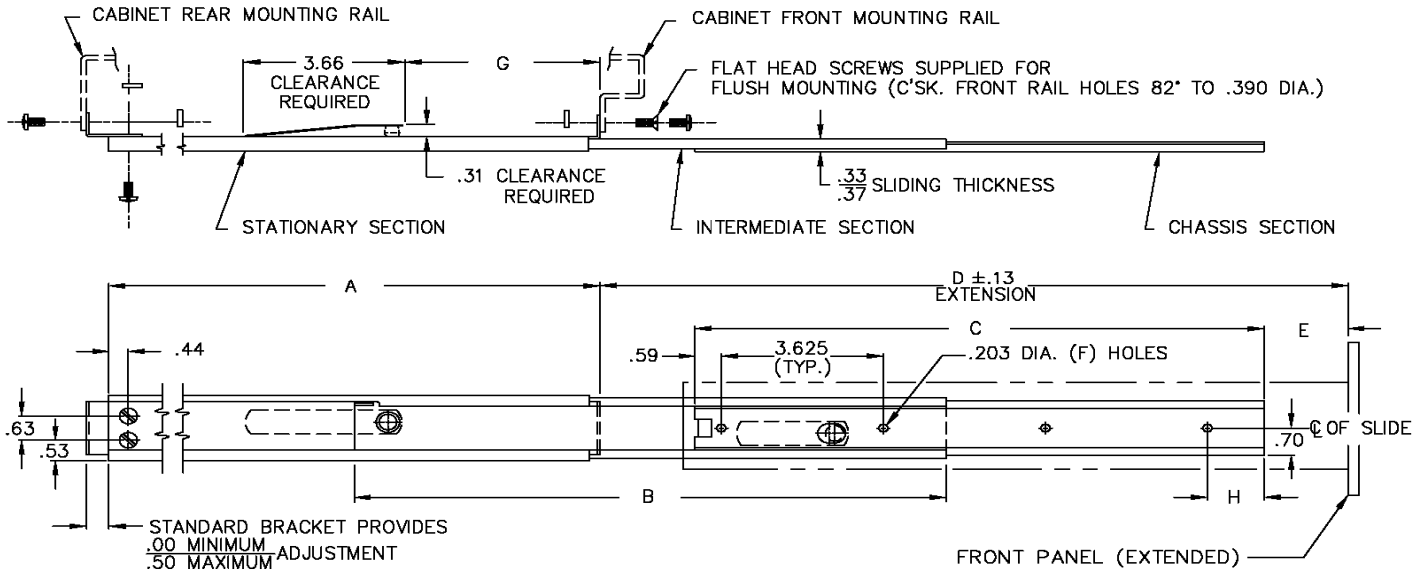
CODE	APPROVED MANUFACTURER	MANUFACTURER PART NUMBER	NOTES
	GENERAL DEVICES	C-300-S-124-AR	



ECO	REV	DATE	DESCRIPTION	APPROVALS	
				ORIGINATOR	ENGINEER
-	D	5-Jul-15	Removed Zero no longer makes rack Slides	JRoth	JRoth
EC-016223	E	18-Oct-17	NPFR updated to show RoHS compliance.	AJohn	JWillingham
EC-019261	F	21-Jan-19	Change NPRF RoHS Certificate attachment	ABigornia	OBoyarko

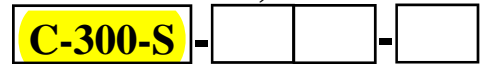
PREPARED BY: **Angel John**      DATE: **18-Oct-17**      RESPONSIBLE ENGINEER: **Jack Willingham**      DATE: **18-Oct-17**      FIRST USED ON: **GENERAL USE**

# C-300-S Slide



Catalog Number	A	B	C	D (min)	D (max)	E (min)	E (max)	F	G	H	Load Capacity
C-300-S-110	10.00	9.25	8.63	11.00	11.00	0.13	0.13	3	2.31	0.78	95 LBS.
C-300-S-112	12.00	9.25	8.63	11.00	13.00	0.13	2.13	3	2.31	0.78	95 LBS.
C-300-S-114	14.00	13.25	12.63	15.00	15.00	0.13	0.13	4	4.31	1.16	90 LBS.
C-300-S-116	16.00	13.25	12.63	15.00	17.00	0.13	2.13	4	4.31	1.16	90 LBS.
C-300-S-118	18.00	13.25	12.63	15.00	19.00	0.13	4.13	4	4.31	1.16	90 LBS.
C-300-S-120	20.00	19.25	18.63	21.00	21.00	0.13	0.13	5	7.31	3.53	85 LBS.
C-300-S-122	22.00	19.25	18.63	21.00	23.00	0.13	2.13	5	7.31	3.53	85 LBS.
C-300-S-124	24.00	19.25	18.63	21.00	25.00	0.13	4.13	5	7.31	3.53	85 LBS.
C-300-S-126	26.00	25.25	24.63	27.00	27.00	0.13	0.13	7	10.31	2.28	80 LBS.
C-300-S-128	28.00	25.25	24.63	27.00	29.00	0.13	2.13	7	10.31	2.28	80 LBS.
C-300-S-130	30.00	25.25	24.63	27.00	31.00	0.13	4.13	7	10.31	2.28	80 LBS.

## TO ORDER, SPECIFY

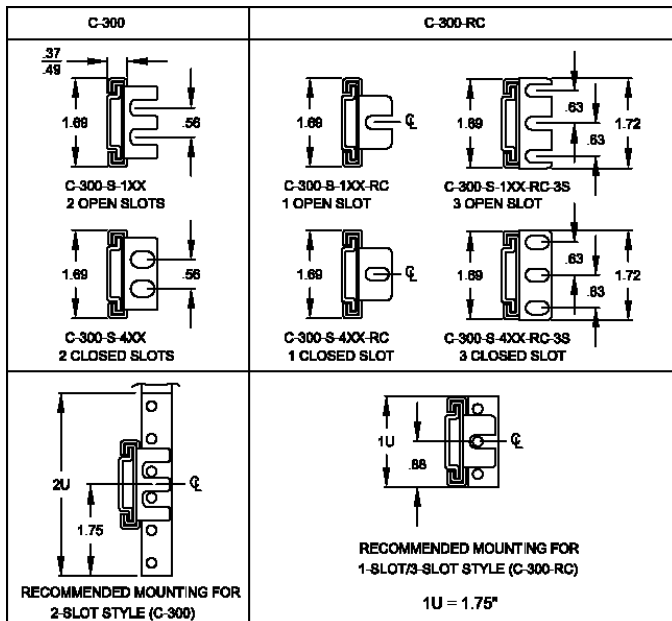


Stationary Section  
 1 - Cabinet Mount  
 2 - Strap Mount  
 4 - Closed Slot

Length

AR - Automatic Release if desired  
 AND/OR  
 RC - See chart below

For information on Strap Mount option see page 27.



## Notes

1. Finish: All standard slides are coated with Poxylube™ dry film lubricant.
2. All standard slides are designed to lock-out in the extended position and are available with an optional automatic release if lock-out is not desirable.
3. Standard hardware packages include all the hardware necessary to mount your Chassis Trak® slides:
  - Rear mounting bracket (B-217 or B-161) included
  - Bar Nuts (CA8056-06-0017 or CA8056-06-0014)
  - #10-32 screws and keps nuts
4. All sliding members of the standard slide are made from cold rolled steel.
5. All Chassis Trak® solid bearing slides are supplied with a quick disconnect feature.
6. Optional mounting patterns, slide lengths and extensions are available.
7. For optional mounting brackets see page 34.