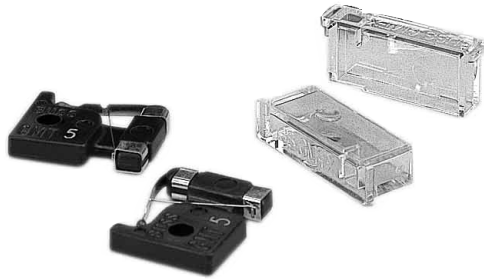
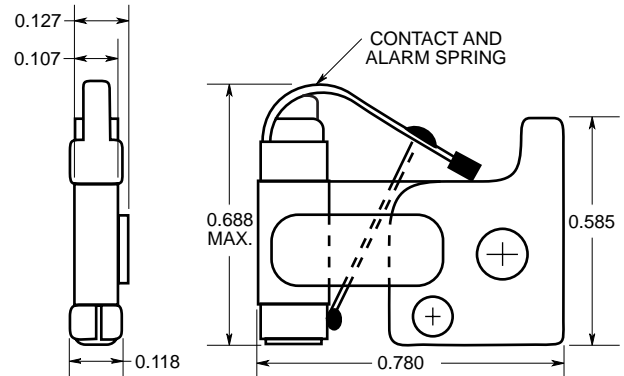


Fast-Acting Indicating Fuse

60 Volts DC, 125 Volts AC



Dimensional Data



Catalog Symbol: GMT

Fast-Acting

Voltage Rating: 60 Vdc, 125 Vac

Interrupting Rating: 450 Amp, 60 Volt DC
300 Amp, 125 Volt AC

Agency Approvals:

U.L. Recognized, Guide JFHR2, File E56412

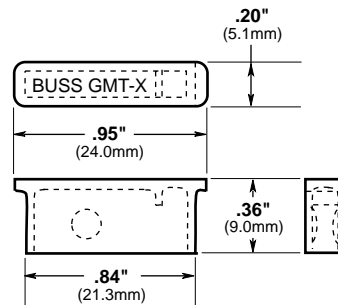
Materials:

Body: Thermoplastic, U.L. 94 VO flammability rating

Terminals: Tin-plated Beryllium Copper

Carton Qty. and Weight: 100 Fuses per carton;
0.33 lbs. (150g.)

Fuseholders: Catalog No. HLT, HLS, and PCT



GMT-X Fuse Cover

General Information:

- For telecommunications, computer, or control circuits.
- Visual spring indicating and alarm circuit indicating.
- Color coded flags designate ampere rating.
- Fuses easily replaced without use of insulated tools.
- Fuses can be removed with wire hook when mounted on minimum centers.
- **GMT-X** fuse cover available.

Catalog Symbol and Color Codes

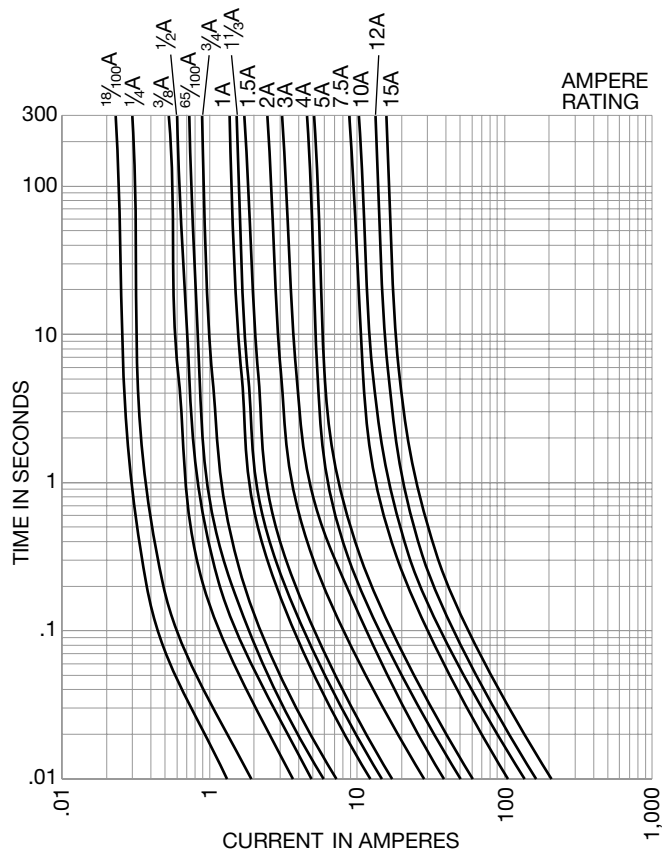
Catalog Symbol	Color Code	Catalog Symbol	Color Code
GMT- $\frac{18}{100}$ A	Yellow	GMT-3A	Blue
GMT- $\frac{1}{4}$ A	Violet	GMT-3 $\frac{1}{2}$ A	White/Blue
GMT- $\frac{3}{8}$ A	White/Gray	GMT-4A	White/Brown
GMT- $\frac{1}{2}$ A	Red	GMT-5A	Green
GMT- $\frac{65}{100}$ A	Black	GMT-7 $\frac{1}{2}$ A	Black/White
GMT- $\frac{3}{4}$ A	Brown	GMT-10A	Red/White
GMT-1A	Gray	GMT-12A	Yellow/Green
GMT-1 $\frac{1}{2}$ A	White	GMT-15A	Red/Blue
GMT-1 $\frac{1}{2}$ A	White/Yellow	GMT-Dummy	Gray
GMT-2A	Orange	GMT-A	Yellow

Fast-Acting Indicating Fuse

125 Volts AC, 60 Volts DC

GMT

Time-Current Characteristic Curves—Average Melt



Test Specifications

Percent Overload	Opening Time
100%	10 min. (minimum)
150%	5 min. (maximum)

The only controlled copy of this BIF document is the electronic read-only version located on the Bussmann Network Drive. All other copies of this document are by definition uncontrolled. This bulletin is intended to clearly present comprehensive product data and provide technical information that will help the end user with design applications. Bussmann reserves the right, without notice, to change design or construction of any products and to discontinue or limit distribution of any products. Bussmann also reserves the right to change or update, without notice, any technical information contained in this bulletin. Once a product has been selected, it should be tested by the user in all possible applications.