

Surge protection plug - CT 10-9VA-230AC - 2830498

Please be informed that the data shown in this PDF Document is generated from our Online Catalog. Please find the complete data in the user's documentation. Our General Terms of Use for Downloads are valid (<http://phoenixcontact.com/download>)



LSA-PLUS plug (COMTRAB CT 10) with surge protection incl. visual fault warning for nine 2-core signal circuits. Nominal voltage: 230 V AC. Design: 10 double wires

Your advantages

- ✓ For use with CT-TERMIBLOCK and with LSA-PLUS and LSA-PROFIL disconnect and control strips
- ✓ Multi-position, plug-in modular design
- ✓ Specially designed for higher signal voltages of 120 V and 230 V
- ✓ Protection modules must be inserted in the correct direction
- ✓ For controllers with a large number of signal inputs and outputs, such as those used in remote control technology or traffic light systems



Key Commercial Data

Packing unit	1 pc
GTIN	 4 017918 106553
GTIN	4017918106553
Weight per Piece (excluding packing)	112.400 g
Custom tariff number	85363010
Country of origin	Germany
Note	Made to Order (non-returnable)

Technical data

Dimensions

Height	22 mm
Width	111 mm
Depth	68.5 mm

Ambient conditions

Ambient temperature (operation)	-40 °C ... 85 °C
Altitude	≤ 2000 mm (amsl (above mean sea level))

Surge protection plug - CT 10-9VA-230AC - 2830498

Technical data

Ambient conditions

Degree of protection	IP20
----------------------	------

General

Housing material	PBT
Flammability rating according to UL 94	V-0
Color	jet black RAL 9005
Standards for clearances and creepage distances	VDE 0110-1 IEC 60664
Mounting type	On CT-TERMIBLOCK and LSA-PLUS disconnect strip
Type	LSA-PLUS module
Direction of action	Line-Line & Line-Earth Ground
Arrester can be tested with CHECKMASTER from software version:	From SW rev. 1.00

Protective circuit

IEC test classification	C1 C3
Nominal voltage U_N	250 V DC 230 V AC
Maximum continuous voltage U_C	275 V DC 275 V AC
Rated current	1.5 A AC (per path) 200 mA DC (per path)
Operating effective current I_C at U_C	≤ 1.5 mA AC (per path) ≤ 2 mA DC (per path)
Residual current I_{PE}	≤ 1 μ A
Nominal discharge current I_n (8/20) μ s (line-earth)	1.5 kA
Nominal discharge current I_n (8/20) μ s (line-signal ground)	1.5 kA
Nominal discharge current I_n (8/20) μ s (signalground-earth)	5 kA
Total discharge current I_{total} (8/20) μ s	5 kA
Max. discharge current I_{max} (8/20) μ s maximum (line-earth)	5 kA (10-PE)
Max. discharge current I_{max} (8/20) μ s maximum (line-signalground)	3 kA
Residual voltage at I_n (line-earth)	≤ 1.4 kV
Residual voltage at I_n (line-signalground)	≤ 1.1 kV
Fixed cable length	10 m
Voltage protection level U_p (line-earth)	≤ 1.4 kV (10-PE)
Voltage protection level U_p (line-signalground)	≤ 1.1 kV
Response time t_A (line-line)	≤ 25 ns
Response time t_A (line-signalground)	≤ 25 ns
Response time t_A (line-earth)	≤ 100 ns
Frequency range	50 Hz ... 60 Hz
Capacity (line-signalground)	typ. 320 pF

Surge protection plug - CT 10-9VA-230AC - 2830498

Technical data

Protective circuit

Capacity (line-earth)	typ. 2 pF (10-PE)
Surge protection fault message	none
Max. required back-up fuse	1.5 A AC (gL)
	200 mA DC (F)
Impulse durability (line-earth)	C2 - 3 kV/1.5 kA
Impulse durability (line-signalground)	C2 - 3 kV/1.5 kA
Impulse durability (signalground-earth)	C2 - 10 kV/5 kA

Connection data

Connection method	can be plugged into COMTRAB-TERMIBLOCK and LSA-PLUS disconnect and switching strips
Connection method IN	COMTRAB plug-in system
Connection method OUT	COMTRAB plug-in system

Standards and Regulations

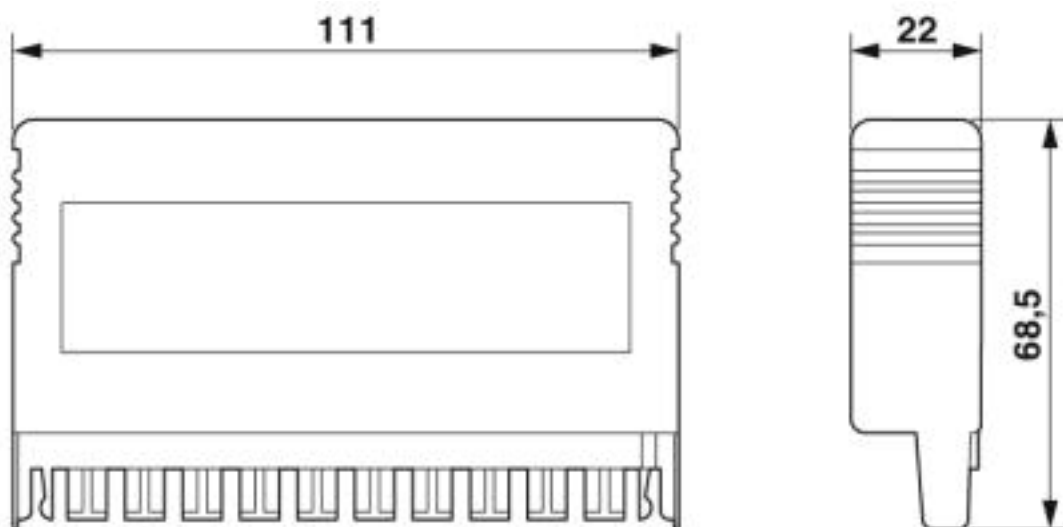
Standards/specifications	IEC 61643-21 2000 + corrigendum 2001 + A1:2008, modified + A2:2012
	EN 61643-21 2001 + A1:2009 + A2:2013

Environmental Product Compliance

	Lead 7439-92-1
China RoHS	Environmentally Friendly Use Period = 50
	For details about hazardous substances go to tab "Downloads", Category "Manufacturer's declaration"

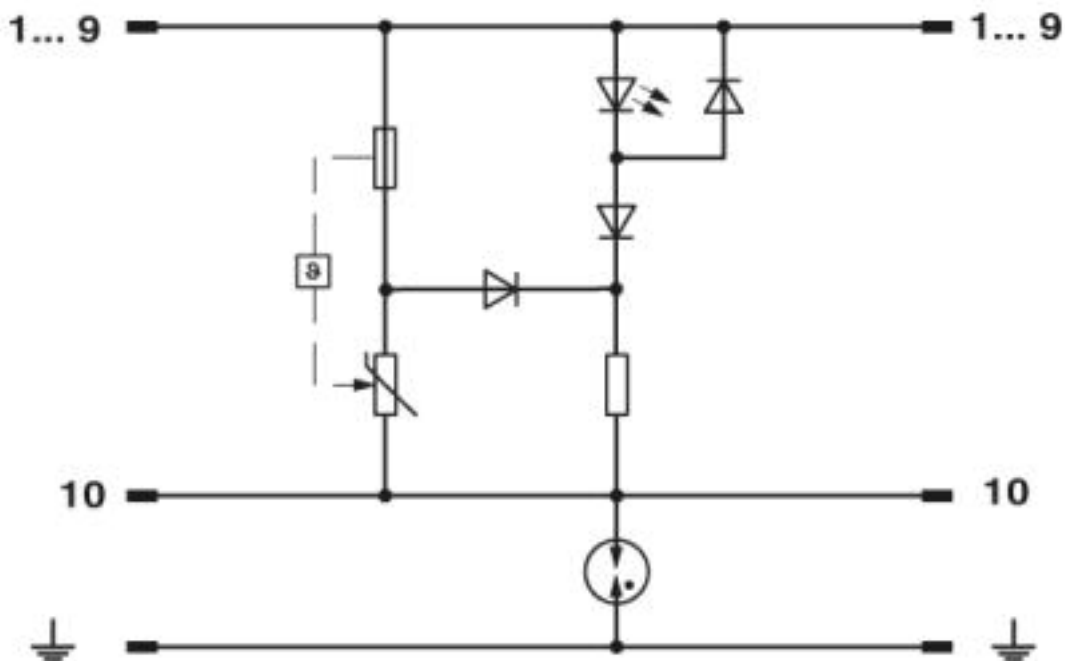
Drawings

Dimensional drawing



Surge protection plug - CT 10-9VA-230AC - 2830498

Circuit diagram



Classifications

eCl@ss

eCl@ss 4.0	27130800
eCl@ss 4.1	27130800
eCl@ss 5.0	27130800
eCl@ss 5.1	27130800
eCl@ss 6.0	27130800
eCl@ss 7.0	27130807
eCl@ss 8.0	27130807
eCl@ss 9.0	27130807

ETIM

ETIM 2.0	EC000943
ETIM 3.0	EC000943
ETIM 4.0	EC000943
ETIM 5.0	EC000943
ETIM 6.0	EC000943
ETIM 7.0	EC000943

UNSPSC

UNSPSC 6.01	30212010
UNSPSC 7.0901	39121610
UNSPSC 11	39121610

Surge protection plug - CT 10-9VA-230AC - 2830498

Classifications

UNSPSC

UNSPSC 12.01	39121610
UNSPSC 13.2	39121620
UNSPSC 18.0	39121620
UNSPSC 19.0	39121620
UNSPSC 20.0	39121620
UNSPSC 21.0	39121620

Approvals

Approvals

Approvals

EAC

Ex Approvals

Approval details

EAC		RU C- DE.A*30.B01561
-----	--	-------------------------

Accessories

Accessories

Screw termination block

Screw termination block - CT-TERMIBLOCK 10 DA - 0441711



Screw termination block with disconnect contacts for accommodating protective plugs CT and CTM. Use in MCR and telecommunications systems. Design: 10 double wires

Necessary add-on products

Disconnect strip - CT 10-TL - 2765356



LSA-PLUS disconnect strip to hold the CTM and CT 10 protection modules. Version: 10 double conductors, dimension A: 124 mm.

Surge protection plug - CT 10-9VA-230AC - 2830498

Accessories

Additional products

Mounting clip - CT 10-MB/ 3 - 2765372



Mounting clip, for holding 3 disconnect or ground wire strips. Version: 10 double conductors, dimensions: A 104.5 mm, B 65 mm.

Mounting clip - CT 10-MB/10 - 2765385



Mounting clip, for holding 10 disconnect or ground wire strips. Version: 10 double conductors, dimensions: A 104.5 mm, dimensions B 245.5 mm

Cable feed-through sleeve - CT-KDT - 2765518



Cable bush for assembly troughs, for protection of the lines guided through the laminated frame

Shield connection - SSA 3-6 - 2839295



Shield fast connection for 3 ... 6 mm cable diameter. Potential connecting cable: 200 mm, 1 mm², color: black

Shield connection - SSA 5-10 - 2839512



Shield fast connection for 5 ... 10 mm cable diameter. Potential connecting cable: 200 mm, 1 mm², color: black
