

## Type 1 surge protection plug - FLT-SEC-P-T1-264/50-P - 2907391

Please be informed that the data shown in this PDF Document is generated from our Online Catalog. Please find the complete data in the user's documentation. Our General Terms of Use for Downloads are valid (<http://phoenixcontact.com/download>)




Replacement plug for lightning current arresters from the FLASHTRAB SEC PLUS 264 product range, for L-N and L-PEN paths.

### Your advantages

- ✓ Spark gap has no line follow current
- ✓ Free of leakage current, suitable for use in the pre-meter area
- ✓ High continuous voltage of 264 V AC for 230/400 V AC networks
- ✓ Pluggable
- ✓ Low voltage protection level of 2.5 kV
- ✓ Optical, mechanical status indicator
- ✓ Plugs can be checked with CHECKMASTER 2



### Key Commercial Data

Packing unit	5 pc
Minimum order quantity	10 pc
GTIN	 4 0 5 5 6 2 6 1 9 7 2 1 0
GTIN	4055626197210
Weight per Piece (excluding packing)	259.900 g
Custom tariff number	85363010
Country of origin	Germany
Note	Made to Order (non-returnable)

### Technical data

#### Dimensions

Height	46.6 mm
Width	35.5 mm
Depth	59.4 mm
Horizontal pitch	2 Div.

# Type 1 surge protection plug - FLT-SEC-P-T1-264/50-P - 2907391

## Technical data

### Ambient conditions

Degree of protection	IP20
Ambient temperature (operation)	-40 °C ... 80 °C
Ambient temperature (storage/transport)	-40 °C ... 80 °C
Altitude	≤ 2000 m (amsl (above mean sea level))
Permissible humidity (operation)	5 % ... 95 %
Shock (operation)	30g (Half-sine / 11 ms / 3x ±X, ±Y, ±Z)
Vibration (operation)	5g (5 - 500 Hz/2.5 h/X, Y, Z)

### General

IEC test classification	I / II
	T1 / T2
EN type	T1 / T2
IEC power supply system	TT
Mode of protection	L-N
	L-PEN
Mounting type	on base element
Color	light grey RAL 7035
Housing material	PA 6.6-FR 20 % GF
	PBT-FR
Degree of pollution	2
Flammability rating according to UL 94	V-0
Type	Male
Number of positions	1
Surge protection fault message	optical

### Protective circuit

Nominal voltage $U_N$	240 V AC (TN)
	240 V AC (TT)
Nominal frequency $f_N$	50 Hz (60 Hz)
Maximum continuous voltage $U_C$	264 V AC
Nominal discharge current $I_n$ (8/20) $\mu$ s	50 kA
Maximum discharge current $I_{max}$ (8/20) $\mu$ s	100 kA
Impulse discharge current (10/350) $\mu$ s, charge	25 As
Impulse discharge current (10/350) $\mu$ s, specific energy	625 kJ/ $\Omega$
Impulse discharge current (10/350) $\mu$ s, peak value $I_{imp}$	50 kA
Follow current interrupt rating $I_{fi}$	50 kA
Short-circuit current rating $I_{SCCR}$	50 kA
Voltage protection level $U_p$	≤ 2.5 kV
Residual voltage $U_{res}$	≤ 2.5 kV (at $I_n$ )
Front of wave sparkover voltage at 6 kV (1.2/50) $\mu$ s	≤ 2.5 kV
TOV behavior at $U_T$	415 V AC (5 s / withstand mode)

# Type 1 surge protection plug - FLT-SEC-P-T1-264/50-P - 2907391

## Technical data

### Protective circuit

	760 V AC (120 min / withstand mode)
Response time $t_A$	$\leq 100$ ns
Max. backup fuse with branch wiring	500 A (gG)

### Connection data

Connection method	pluggable
-------------------	-----------

### UL specifications

SPD Type	1CA
Maximum continuous operating voltage MCOV	264 V AC
Nom. voltage	240 V AC
Mode of protection	L-N
	L-G
Power distribution system	Single phase
Nominal frequency	50/60 Hz
Voltage protection rating VPR	1500 V
Nominal discharge current $I_n$	20 kA
Short-circuit current rating (SCCR)	50 kA

### Standards and Regulations

Standards/regulations	IEC 61643-11 2011
	EN 61643-11 2012

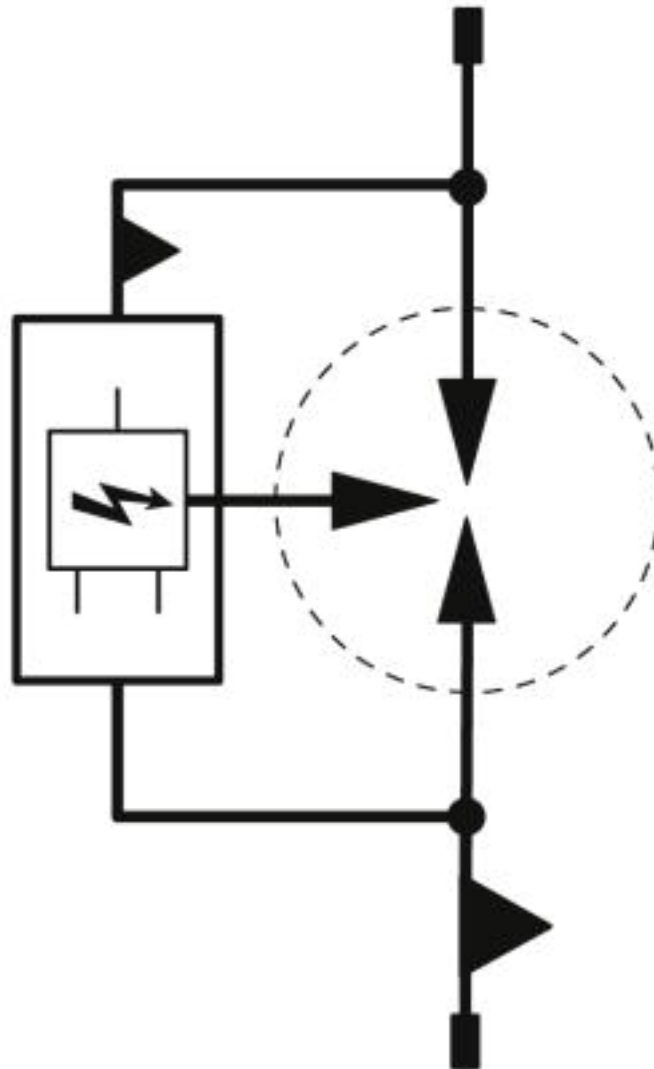
### Environmental Product Compliance

REACH SVHC	Lead 7439-92-1
China RoHS	Environmentally Friendly Use Period = 50
	For details about hazardous substances go to tab "Downloads", Category "Manufacturer's declaration"

## Drawings

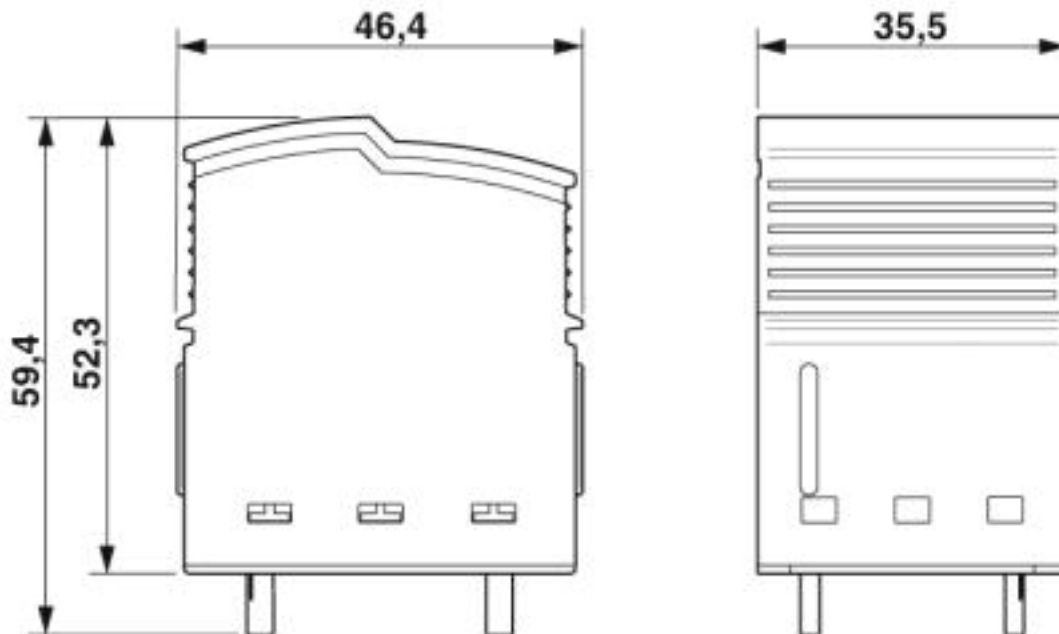
# Type 1 surge protection plug - FLT-SEC-P-T1-264/50-P - 2907391

Circuit diagram



# Type 1 surge protection plug - FLT-SEC-P-T1-264/50-P - 2907391

Dimensional drawing



## Classifications

### eCl@ss

eCl@ss 10.0.1	27130890
eCl@ss 4.0	27130800
eCl@ss 4.1	27130800
eCl@ss 5.0	27130800
eCl@ss 5.1	27130800
eCl@ss 6.0	27130800
eCl@ss 7.0	27130802
eCl@ss 8.0	27130890
eCl@ss 9.0	27130890

### ETIM

ETIM 4.0	EC000381
ETIM 5.0	EC002496
ETIM 6.0	EC000381
ETIM 7.0	EC000381

### UNSPSC

UNSPSC 13.2	39121620
UNSPSC 18.0	39121620
UNSPSC 19.0	39121620
UNSPSC 20.0	39121620
UNSPSC 21.0	39121620

# Type 1 surge protection plug - FLT-SEC-P-T1-264/50-P - 2907391

## Approvals

### Approvals

---

#### Approvals

EAC / UL Recognized / cUL Recognized / cULus Recognized

---

#### Ex Approvals

---

### Approval details

EAC			RU C-DE.A*30.B01561
-----	--	--	---------------------

UL Recognized		<a href="http://database.ul.com/cgi-bin/XYV/template/LISEXT/1FRAME/index.htm">http://database.ul.com/cgi-bin/XYV/template/LISEXT/1FRAME/index.htm</a>	FILE E 330181
---------------	--	-------------------------------------------------------------------------------------------------------------------------------------------------------	---------------

cUL Recognized		<a href="http://database.ul.com/cgi-bin/XYV/template/LISEXT/1FRAME/index.htm">http://database.ul.com/cgi-bin/XYV/template/LISEXT/1FRAME/index.htm</a>	FILE E 330181
----------------	--	-------------------------------------------------------------------------------------------------------------------------------------------------------	---------------

cULus Recognized			
------------------	--	--	--

## Accessories

### Accessories

### Device marking

Label - EML (20XE)R - 0803452



Label, Roll, white, unlabeled, can be labeled with: THERMOMARK ROLLMASTER 300/600, THERMOMARK X1.2, THERMOMARK ROLL X1, THERMOMARK ROLL 2.0, THERMOMARK ROLL, mounting type: adhesive, lettering field size: continuous x 20 mm

## Type 1 surge protection plug - FLT-SEC-P-T1-264/50-P - 2907391

### Accessories

Label - EML (20XE)R YE - 0803453



Label, Roll, yellow, unlabeled, can be labeled with: THERMOMARK ROLLMASTER 300/600, THERMOMARK X1.2, THERMOMARK ROLL X1, THERMOMARK ROLL 2.0, THERMOMARK ROLL, mounting type: adhesive, lettering field size: continuous x 20 mm

---

### Marker pen

Marker pen - B-STIFT - 1051993



Marker pen, for manual labeling of unprinted Zack strips, smear-proof and waterproof, line thickness 0.5 mm