

## Fiber optic - HS LC-H-D3/ R1XC1 - 2202313

Please be informed that the data shown in this PDF Document is generated from our Online Catalog. Please find the complete data in the user's documentation. Our General Terms of Use for Downloads are valid (<http://phoenixcontact.com/download>)




Light guides, passive, rigid, can be used for the ME, ME-MAX, ME-IO, ME PLC, and EH housing ranges (housing must be processed)

### Your advantages

- Light guides are perfectly matched to electronics housings
- Easy mounting on the PCB using press pins
- Resistance to ESD
- Housing processing available on request



### Key Commercial Data

|                                      |   |
|--------------------------------------|---|
| Packing unit                         | 100 pc  |
| Minimum order quantity               | 100 pc  |
| GTIN                                 | <br>4 055626 049946 |
| GTIN                                 | 4055626049946   |
| Weight per Piece (excluding packing) | 0.250 g   |
| Custom tariff number                 | 39269097  |
| Country of origin                    | Germany   |

### Technical data

#### Product properties

|                           |                      |
|---------------------------|----------------------|
| Brief article description | Fiber optic          |
| Type                      | HS LC-H-D3/ R1XC1    |
| Order No.                 | 2202313              |
| Type                      | passive, rigid       |
| Alignment                 | Horizontal           |
| Number of displays        | 1 (1 row x 1 column) |
| Head form                 | Round, planar        |

#### Dimensions

# Fiber optic - HS LC-H-D3/ R1XC1 - 2202313

## Technical data

### Dimensions

|               |   |
|---------------|---|
| Caption       | Details on positioning inside the electronics housing can be found in the download area under "Design-In" |
| Diameter      | 3 mm  |
| Hole diameter | 2.4 mm  |

### Material specifications

|             |             |
|-------------|-------------|
| Material    | PMMA        |
| Color (RAL) | transparent |

### Ambient conditions

|                                 |                  |
|---------------------------------|------------------|
| Ambient temperature (operation) | -40 °C ... 85 °C |
|---------------------------------|------------------|

### General information

|              |   |
|--------------|---|
| Type of note | Assembly instruction:                                       |
| Note         | Refer to the data sheet for the range in the download area. |

### Packaging details

|                            |      |
|----------------------------|------|
| Pieces per package         | 100  |
| Denomination packing units | Pcs. |

### Standards and Regulations

|  |    |
|--|----|
| Flammability rating according to UL 94 | HB |
|--|----|

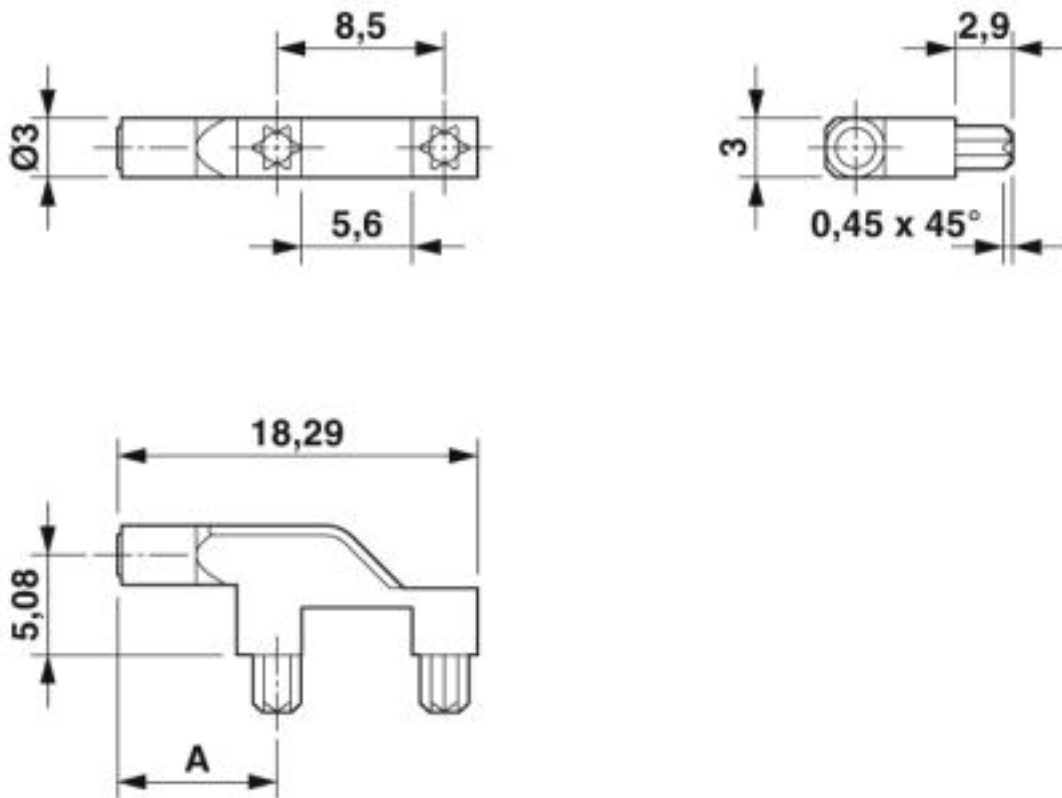
### Environmental Product Compliance

|            |   |
|------------|---|
| China RoHS | Environmentally friendly use period: unlimited = EFUP-e |
|            | No hazardous substances above threshold values          |

## Drawings

# Fiber optic - HS LC-H-D3/ R1XC1 - 2202313

Dimensional drawing



Details on positioning inside the electronics housing can be found in the download area under "Design-In"

## Classifications

eCl@ss

|            |          |
|------------|----------|
| eCl@ss 5.0 | 27180500 |
| eCl@ss 5.1 | 27180500 |
| eCl@ss 6.0 | 27180800 |
| eCl@ss 7.0 | 27182702 |
| eCl@ss 8.0 | 27182702 |
| eCl@ss 9.0 | 27182702 |

ETIM

|          |          |
|----------|----------|
| ETIM 5.0 | EC001031 |
| ETIM 6.0 | EC001031 |
| ETIM 7.0 | EC001031 |

UNSPSC

|             |          |
|-------------|----------|
| UNSPSC 13.2 | 31261501 |
| UNSPSC 18.0 | 31261501 |
| UNSPSC 19.0 | 31261501 |

# Fiber optic - HS LC-H-D3/ R1XC1 - 2202313

## Classifications

### UNSPSC

|             |          |
|-------------|----------|
| UNSPSC 20.0 | 31261501 |
| UNSPSC 21.0 | 31261501 |

## Approvals

### Approvals

---

### Approvals


EAC

---

### Ex Approvals

---

## Approval details

|     |   |         |
|-----|---|---------|
| EAC |  | B.01742 |
|-----|---|---------|

---