

Signal conditioner - MINI MCR-SL-SHUNT-UI-SP-NC - 2810793

Please be informed that the data shown in this PDF Document is generated from our Online Catalog. Please find the complete data in the user's documentation. Our General Terms of Use for Downloads are valid (<http://phoenixcontact.com/download>)




MCR 3-way signal conditioner, with configurable input/output, for electrical isolation and conversion of analog signals in the mV range, single-pos. as well as 2-pos. with spring-cage connection, not pre-configured. Replacement part: 2902021 MINI MCR-2-U-UI-PT.

Your advantages

- ✓ Power supply possible via the foot element (TBUS)
- ✓ Low power consumption
- ✓ Ideal for converting signals for shunt measurements
- ✓ Highly-compact isolating amplifier for electrical isolation, conversion, amplification, and filtering of mV signals to create standard analog signals
- ✓ Up to 280 signal combinations can be configured using DIP switches
- ✓ 3-way isolation



Key Commercial Data

Packing unit	1 pc
GTIN	 4 046356 305358
GTIN	4046356305358
Weight per Piece (excluding packing)	109.600 g
Custom tariff number	85437090
Country of origin	Germany
Note	Made to Order (non-returnable)

Technical data

Dimensions

Width	6.2 mm
Height	93.1 mm
Depth	102.5 mm

Ambient conditions

Ambient temperature (operation)	-20 °C ... 65 °C
---------------------------------	------------------

Signal conditioner - MINI MCR-SL-SHUNT-UI-SP-NC - 2810793

Technical data

Ambient conditions

Ambient temperature (storage/transport)	-40 °C ... 85 °C
Maximum altitude	≤ 2000 m
Permissible humidity (operation)	5 % ... 95 % (non-condensing)
Degree of protection	IP20
Noise immunity	EN 61000-6-2 When being exposed to interference, there may be minimal deviations.

Input data

Number of inputs	1
Configurable/programmable	Yes, unconfigured
Voltage input signal	-50 mV ... 50 mV
	-60 mV ... 60 mV
	-75 mV ... 75 mV
	-80 mV ... 80 mV
	-100 mV ... 100 mV
	-120 mV ... 120 mV
	-150 mV ... 150 mV
	-200 mV ... 200 mV
	-240 mV ... 240 mV
	-300 mV ... 300 mV
	-500 mV ... 500 mV
	-600 mV ... 600 mV
	-750 mV ... 750 mV
	-800 mV ... 800 mV
	-1 V ... 1 V
	-1.2 V ... 1.2 V
	-1.5 V ... 1.5 V
	-2 V ... 2 V
	-2.4 V ... 2.4 V
	-3 V ... 3 V
	0 mV ... 50 mV
	0 mV ... 60 mV
	0 mV ... 75 mV
	0 mV ... 80 mV
	0 mV ... 100 mV
	0 mV ... 120 mV
	0 mV ... 150 mV
	0 mV ... 200 mV
	0 mV ... 240 mV
	0 mV ... 300 mV
	0 mV ... 500 mV

Signal conditioner - MINI MCR-SL-SHUNT-UI-SP-NC - 2810793

Technical data

Input data

	0 mV ... 600 mV
	0 mV ... 750 mV
	0 mV ... 800 mV
	0 V ... 1 V
	0 V ... 1.2 V
	0 V ... 1.5 V
	0 V ... 2 V
	0 V ... 2.4 V
	0 V ... 3 V
max. input voltage	approx. 3 V DC
Input resistance of voltage input	approx. 10 kΩ

Output data

Number of outputs	1
Configurable/programmable	Yes, unconfigured
Voltage output signal	0 V ... 10 V
	2 V ... 10 V
	0 V ... 5 V
	1 V ... 5 V
	-10 V ... 10 V (The bi-polar output can be used only for bi-polar input signals.)
	-5 V ... 5 V (The bi-polar output can be used only for bi-polar input signals.)
Current output signal	0 mA ... 20 mA
	4 mA ... 20 mA
Load/output load voltage output	≥ 10 kΩ
Load/output load current output	< 500 Ω (at 20 mA)
Ripple	< 20 mV _{PP} (at 500 Ω)
	< 20 mV _{PP} (at 10 kΩ)

Power supply

Nominal supply voltage	24 V DC
Supply voltage range	19.2 V DC ... 30 V DC
Max. current consumption	< 25 mA
Power consumption	< 450 mW (Current output)

Connection data

Connection method	Spring-cage connection
Connection technology	2-wire
Stripping length	8 mm
Conductor cross section solid	0.2 mm ² ... 2.5 mm ²
Conductor cross section flexible	0.2 mm ² ... 2.5 mm ²
Conductor cross section AWG	24 ... 12

Signal conditioner - MINI MCR-SL-SHUNT-UI-SP-NC - 2810793

Technical data

General

No. of channels	1
Maximum transmission error	≤ 0.2 %
	< 0.4 % (Without adjustment)
Maximum temperature coefficient	< 0.01 %/K
Temperature coefficient, typical	< 0.002 %/K
Limit frequency (3 dB)	100 Hz / 30 Hz switchable
Step response (10-90%)	3.5 ms (At 100 Hz)
Electrical isolation	Basic insulation according to EN 61010
Overvoltage category	II
Degree of pollution	2
Rated insulation voltage	50 V AC/DC
Test voltage, input/output/supply	1.5 kV (50 Hz, 1 min.)
Electromagnetic compatibility	Conformance with EMC directive
Noise emission	EN 61000-6-4
Noise immunity	EN 61000-6-2 When being exposed to interference, there may be minimal deviations.
Color	green
Housing material	PBT
Mounting position	any
Assembly instructions	The T connector can be used to bridge the supply voltage. It can be snapped onto a 35 mm DIN rail according to EN 60715.
Conformance	CE-compliant
ATEX	# II 3 G Ex nA IIC T4 Gc X
UL, USA/Canada	UL 508 Recognized
	Class I, Div. 2, Groups A, B, C, D T4
Certificate of classification	DNV GL TAA00000N1
Fire protection for rail vehicles (DIN EN 45545-2) R22	HL 1 - HL 2
Fire protection for rail vehicles (DIN EN 45545-2) R23	HL 1 - HL 2
Fire protection for rail vehicles (DIN EN 45545-2) R24	HL 1 - HL 2

EMC data

Designation	Electromagnetic RF field
Standards/regulations	EN 61000-4-3
Typical deviation from the measuring range final value	6 %
Designation	Fast transients (burst)
Standards/regulations	EN 61000-4-4
Typical deviation from the measuring range final value	6 %
Designation	Conducted interferences
Standards/regulations	EN 61000-4-6
Typical deviation from the measuring range final value	6 %

Standards and Regulations

Signal conditioner - MINI MCR-SL-SHUNT-UI-SP-NC - 2810793

Technical data

Standards and Regulations

Electromagnetic compatibility	Conformance with EMC directive
Noise emission	EN 61000-6-4
Connection in acc. with standard	CUL
Standards/regulations	EN 61000-4-2
Designation	Electromagnetic RF field
Standards/regulations	EN 61000-4-3
	EN 61000-4-4
	EN 61000-4-5
Designation	Conducted interferences
Standards/regulations	EN 61000-4-6
Electrical isolation	Basic insulation according to EN 61010
Conformance	CE-compliant
ATEX	# II 3 G Ex nA IIC T4 Gc X
UL, USA/Canada	UL 508 Recognized
	Class I, Div. 2, Groups A, B, C, D T4
Fire protection for rail vehicles (DIN EN 45545-2) R22	HL 1 - HL 2
Fire protection for rail vehicles (DIN EN 45545-2) R23	HL 1 - HL 2
Fire protection for rail vehicles (DIN EN 45545-2) R24	HL 1 - HL 2

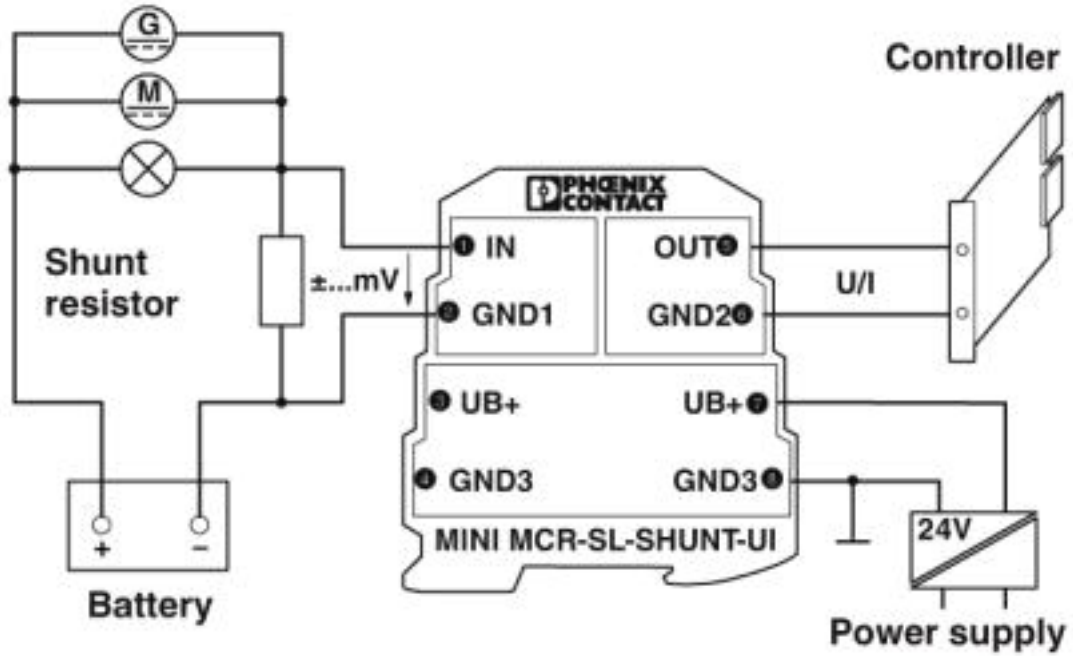
Environmental Product Compliance

China RoHS	Environmentally Friendly Use Period = 50
	For details about hazardous substances go to tab "Downloads", Category "Manufacturer's declaration"

Drawings

Signal conditioner - MINI MCR-SL-SHUNT-UI-SP-NC - 2810793

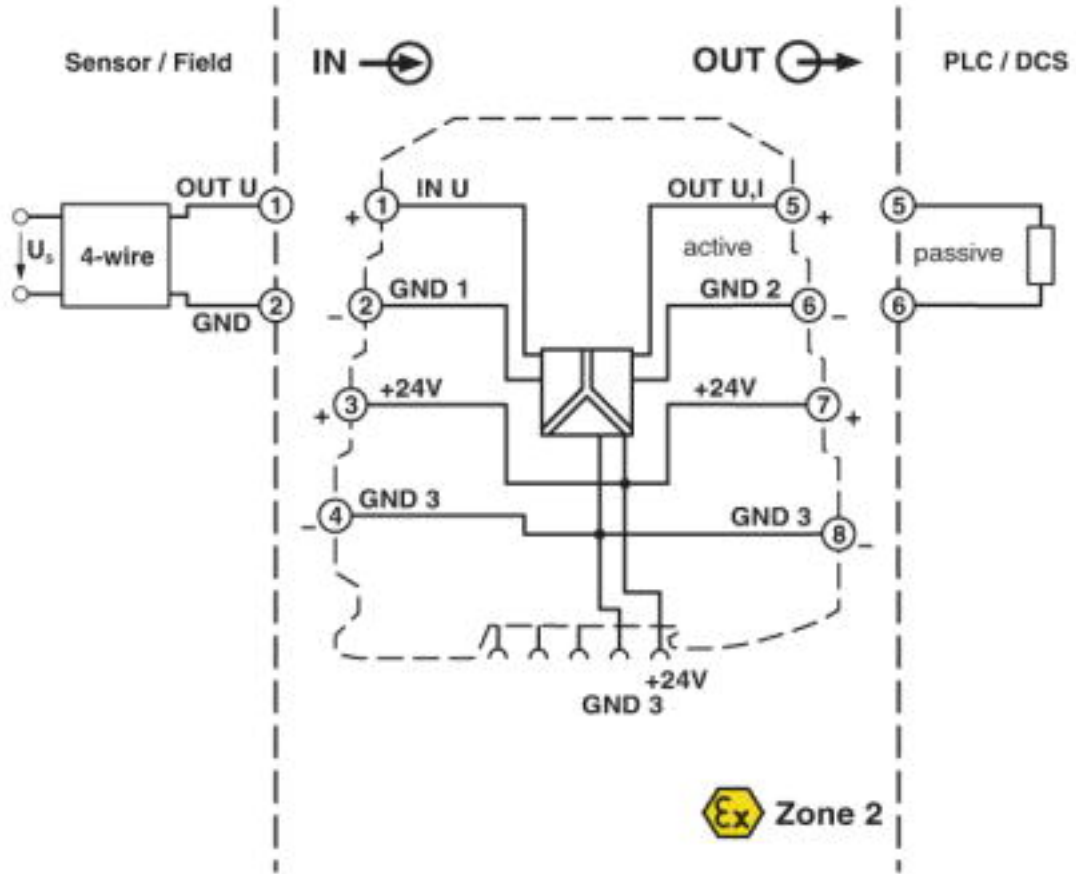
Application drawing



Monitoring of loading and unloading currents

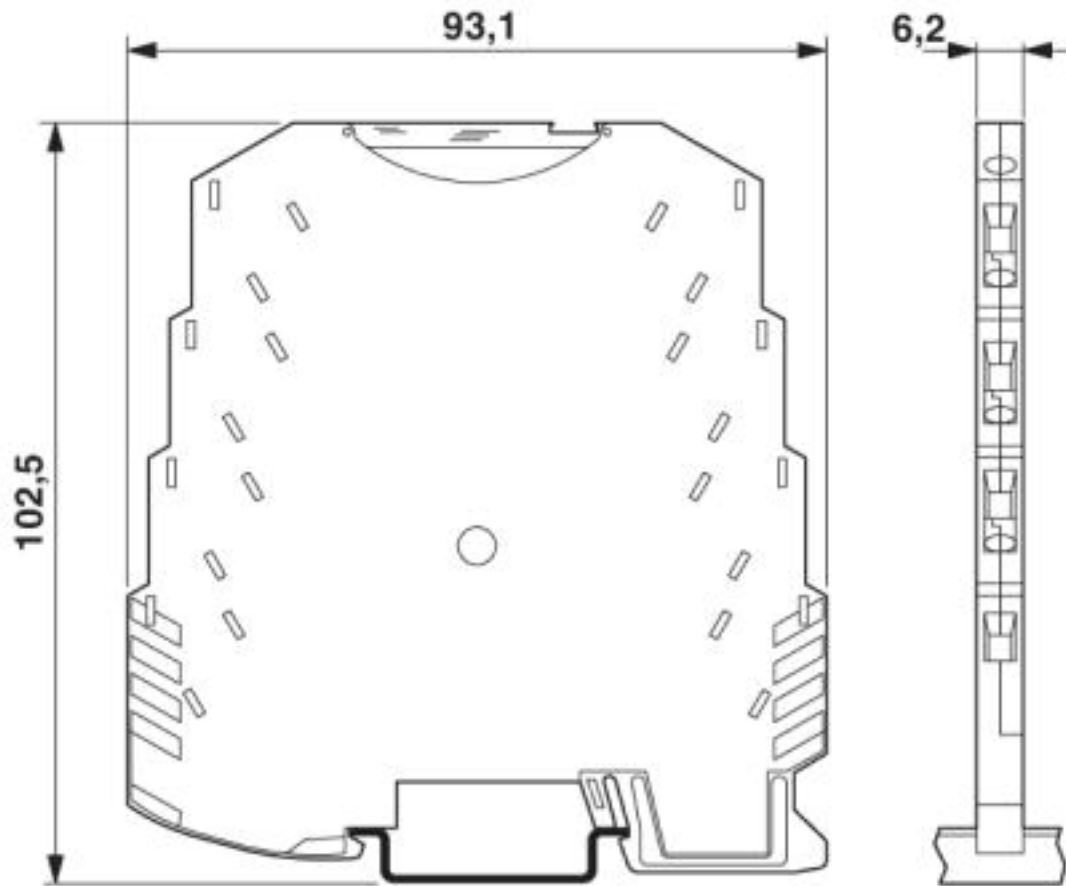
Signal conditioner - MINI MCR-SL-SHUNT-UI-SP-NC - 2810793

Block diagram



Signal conditioner - MINI MCR-SL-SHUNT-UI-SP-NC - 2810793

Dimensional drawing



Classifications

eCl@ss

eCl@ss 4.0	27210100
eCl@ss 4.1	27210100
eCl@ss 5.0	27210100
eCl@ss 5.1	27210100
eCl@ss 6.0	27210100
eCl@ss 7.0	27210120
eCl@ss 8.0	27210120
eCl@ss 9.0	27210120

ETIM

ETIM 4.0	EC002653
ETIM 5.0	EC002653
ETIM 6.0	EC002653
ETIM 7.0	EC002653

Signal conditioner - MINI MCR-SL-SHUNT-UI-SP-NC - 2810793

Classifications

UNSPSC

UNSPSC 6.01	30211506
UNSPSC 7.0901	39121008
UNSPSC 11	39121008
UNSPSC 12.01	39121008
UNSPSC 13.2	39121008
UNSPSC 19.0	39121008

Accessories

Accessories

DIN rail connector

DIN rail bus connectors - ME 6,2 TBUS-2 1,5/5-ST-3,81 GN - 2869728



DIN rail connector for DIN rail mounting. Universal for TBUS housing. Gold-plated contacts, 5-pos.

Marking material

Transparent cover - MINI MCR DKL - 2308111



Fold up transparent cover for MINI MCR modules with additional labeling option using insert strips and flat Zack marker strip 6.2 mm

Marking label - MINI MCR-DKL-LABEL - 2810272



Label for extended marking of MINI MCR modules in connection with the MINI MCR-DKL

Multiplexer

Signal conditioner - MINI MCR-SL-SHUNT-UI-SP-NC - 2810793

Accessories

Multiplexer - MINI MCR-SL-MUX-V8-FLK 16 - 2811815



MINI analog multiplexer, generates one analog output from 8 analog input signals, for MINI analog module with screw connection.

Power module

Power terminal block - MINI MCR-SL-PTB - 2864134



MCR power terminal block for supplying several MINI Analog modules via the DIN rail connector, with screw connection, maximum current consumption of up to 2 A

Power terminal block - MINI MCR-SL-PTB-SP - 2864147



MCR feed-in terminal for supplying several MINI Analog modules via a DIN rail connector, with spring-cage connection, maximum current consumption of up to 2 A. Replacement part: 2902067 MINI MCR-2-PTB-PT.

Power supply

Power supply unit - MINI-SYS-PS-100-240AC/24DC/1.5 - 2866983



Primary-switched MINI POWER supply for DIN rail mounting, input: 1-phase, output: 24 V DC/1.5 A

Power supply unit - MINI-PS-100-240AC/24DC/1.5/EX - 2866653



Primary-switched power supply MINI POWER for DIN rail mounting, input: 1-phase, output: 24 V DC/1,5 A, for the potentially explosive area

System adapter

Signal conditioner - MINI MCR-SL-SHUNT-UI-SP-NC - 2810793

Accessories

System adapter - MINI MCR-SL-V8-FLK 16-A - 2811268



Eight MINI analog signal converters with screw connection method can be connected to a control system using a system adapter and system cabling with a minimum of wiring and very low error risk.