

Joker Set of ratcheting combination wrenches, Imperial, 8 pieces

Combination ratchet wrenches



EAN:	4013288167514	Size:	310x95x85 mm
Part number:	05020012001	Weight:	1486 g
Article number:	joker_set_8_inch	Country of origin:	CZ
		Customs tariff number:	82041100

- Practical holding function thanks to the metal plate in the jaw
- Limit stop prevents any slipping
- The double-hex geometry reduces the risk of slipping
- Return angle of only 30°
- Take it easy tool finder with colour coding according to sizes

High quality combination ratchet wrench set by Wera: everything that a wrench has to be able to do. And a whole lot more. Faster, better, stylish. Yes, a real Joker. The new generation of combination ratchet wrenches. 8-piece set with imperial sizes in a robust pouch. Suitable for hexagon bolt heads or nuts. Comes with a holding function, thanks to the metal plate in the jaw, which reduces the risk of dropping nuts and bolts. The replaceable metal plate in the jaw secures nuts and bolts with its extra hard teeth and limits the danger of slipping. The integrated limit stop prevents any slipping down around the bolt head and allows higher torque to be applied. The double-hex geometry makes for a positive connection with nuts or bolts and reduces the risk of slipping. A return angle of only 30° at the open end prevents any time consuming flipping of the wrench during fastening jobs. The ratchet mechanism at the ring end, with an exceptional, fine-tooth mechanism – 80 teeth in all – enables flexibility even in very confined working spaces. The specially forged geometry provides for high torque transfer and strength. Manufactured out of high performance chrome molybdenum steel with a nickel-chrome coating for high corrosion protection. "Take it easy" Tool Finder with colour coding according to sizes.

Web link

https://products.wera.de/en/tools_for_the_aerospace_segment_combination_ratchet_wrenches_joker_set_8_inch.html

Wera - joker_set_8_inch
05020012001 - 4013288167514

Wera Werkzeuge GmbH
Korzter Straße 21-25
D-42349 Wuppertal
Tel: +49 (0)2 02 / 40 45-0
E-Mail: info@wera.de

Combination ratchet wrenches

Set contents:

	Joker inch	
	05073280001	1 x 5/16" x 144 mm
	05073281001	1 x 3/8" x 159 mm
	05073282001	1 x 7/16" x 165 mm
	05073283001	1 x 1/2" x 177 mm
	05073284001	1 x 9/16" x 188 mm
	05073285001	1 x 5/8" x 212 mm
	05073286001	1 x 11/16" x 235 mm
	05073287001	1 x 3/4" x 246 mm

Joker open-ended wrench



When we began to think about open-ended wrenches, we asked ourselves: why does the wrench always have to be flipped over; why does it have an offset design; why does it slip off injuring fingers? The new design of the mouth resulted in a real "Joker" that works even when all other trumps have been played.

Holding function



The Joker's holding function means that nuts and bolts can be held in the jaw and easily positioned where they are needed. Fastening on to the thread can then be done quickly and safely, thanks to the innovative special stop-plate which holds the fastener. No more time-wasting searches for dropped nuts and bolts! After applying and positioning the nut or bolt, fastening can begin immediately – no additional tools required.

Integrated limit-stop



Constant re-positioning of the wrench? Difficulty holding fasteners in confined spaces? Easing off to avoid any risks of injury or fastener damage? That was yesterday. Today, the Joker prevents slipping off of the fastener head with its integrated limit-stop – no longer is the thumb needed to act as a depth stop. This makes applications much easier and allows significantly more force to be applied during fastening jobs.

Web link

https://products.wera.de/en/tools_for_the_aerospace_segment_combination_ratchet_wrenches_joker_set_8_inch.html

Wera - joker_set_8_inch
05020012001 - 4013288167514

Wera Werkzeuge GmbH
Korzter Straße 21-25
D-42349 Wuppertal
Tel: +49 (0)2 02 / 40 45-0
E-Mail: info@wera.de

Joker Set of ratcheting combination wrenches, Imperial, 8 pieces



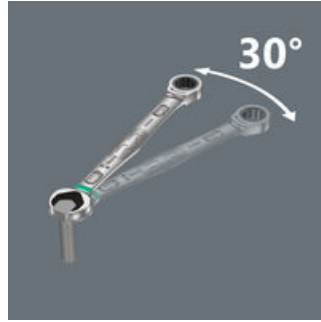
Combination ratchet wrenches

Double-hex geometry



The Joker's clever double-hex geometry delivers a very positive connection with nuts or bolts – it's a perfect fit. And the exchangeable, hardened metal gripping plate in the Joker's mouth literally bites itself into the bolt, with its extremely hard tips. Both features combine to prevent slipping, even at higher torque.

Small return angle



Instead of 60°, the Joker only has a 30° return angle thanks to its unique double-hex design. Along with the Joker's straight neck, this means that flipping the wrench has become a thing of the past. With the Joker, you can now loosen and tighten nuts and bolts, in situations where conventional tools fail. Particularly in confined spaces, where conventional open-jawed wrenches cannot be used. The combination of limit stop and small return angle enables effective work, even on screw pipe connections.

Fine tooth mechanism



The ratcheting feature at the ring end boasts an exceptional, fine tooth mechanism – 80 teeth in all – which provides greater flexibility, even in very confined workspaces.

"Take it easy" tool finder



"Take it easy" tool finder system - with profile and size colour-coding for quick and easy tool selection. Colour-coded system for hexagon drive screws (L-Keys, Zyklop bit sockets), external hex drive screws and nuts (Joker wrenches, Zyklop sockets and Zyklop bit sockets with holding function), and TORX® drive screws (L-Keys, Zyklop bit sockets).

Web link

https://products.wera.de/en/tools_for_the_aerospace_segment_combination_ratchet_wrenches_joker_set_8_inch.html

Wera - joker_set_8_inch
05020012001 - 4013288167514

Wera Werkzeuge GmbH
Korzter Straße 21-25
D-42349 Wuppertal
Tel: +49 (0)2 02 / 40 45-0
E-Mail: info@wera.de