

Type 3 surge protection device - PLT-SEC-T3-60-FM - 2905225

Please be informed that the data shown in this PDF Document is generated from our Online Catalog. Please find the complete data in the user's documentation. Our General Terms of Use for Downloads are valid (<http://phoenixcontact.com/download>)




Pluggable device protection, according to type 3/class III, for 1-phase power supply networks with separate N and PE (3-conductor system: L1, N, PE), with integrated surge-proof fuse and remote indication contact. Also suitable for DC applications.

Your advantages

- ✓ Varistor-based device protection
- ✓ Can be used without separate backup fuse thanks to integrated overcurrent protection
- ✓ For 1-phase power supply units (AC/DC)
- ✓ Pluggable
- ✓ Optical status indicator via LED
- ✓ With floating remote indication contact
- ✓ Plugs can be checked with CHECKMASTER 2



Key Commercial Data

| | |
|--------------------------------------|---|
| Packing unit | 1 pc |
| GTIN |  4 046356 939683 |
| GTIN | 4046356939683 |
| Weight per Piece (excluding packing) | 73.330 g |
| Custom tariff number | 85363030 |
| Country of origin | Germany |
| Note | Made to Order (non-returnable) |

Technical data

Dimensions

| | |
|------------------|---------------------------------|
| Height | 90 mm |
| Width | 17.7 mm |
| Depth | 74.5 mm (incl. DIN rail 7.5 mm) |
| Horizontal pitch | 1 Div. |

Ambient conditions

Type 3 surge protection device - PLT-SEC-T3-60-FM - 2905225

Technical data

Ambient conditions

| | |
|---|---|
| Degree of protection | IP20 |
| Ambient temperature (operation) | -40 °C ... 80 °C |
| Ambient temperature (storage/transport) | -40 °C ... 80 °C |
| Altitude | ≤ 2000 m (amsl (above mean sea level)) |
| Permissible humidity (operation) | 5 % ... 95 % |
| Shock (operation) | 30g (Half-sine / 11 ms / 3x ±X, ±Y, ±Z) |
| Vibration (operation) | 5g (10 ... 150 Hz/20 cycles/axis/X, Y, Z) |

General

| | |
|--|---|
| EN type | T3 |
| Number of ports | One |
| Mode of protection | L-N |
| | L-PE |
| | N-PE |
| | (L+) - (L-) |
| | (L+/L-) - PE |
| Mounting type | DIN rail: 35 mm |
| Color | light grey RAL 7035 |
| | traffic grey A RAL 7042 |
| Housing material | PA 6.6-FR 20 % GF |
| | PA 6.6-FR |
| Degree of pollution | 2 |
| Flammability rating according to UL 94 | V-0 |
| Type | DIN rail module, two-section, divisible |
| Number of positions | 2 |
| Surge protection fault message | Optical, remote indicator contact |

Protective circuit

| | |
|---|--------------------------|
| Nominal voltage U_N | 60 V AC (TN-S) |
| Nominal frequency f_N | 50 Hz (60 Hz) |
| Maximum continuous voltage U_C | 100 V AC |
| | 80 V DC |
| Rated load current I_L | 26 A (30 °C) |
| Residual current I_{PE} | ≤ 5 μA |
| Nominal discharge current I_n (8/20) μs | 2 kA |
| Standby power consumption P_C | ≤ 75 mVA (at U_{REF}) |
| | ≤ 150 mVA (at U_C) |
| Reference test voltage U_{REF} | 66 V AC |
| Combination wave U_{OC} | 4 kV |
| Voltage protection level U_p (L-N) | ≤ 0.48 kV |
| Voltage protection level U_p (L-PE) | ≤ 0.9 kV |

Type 3 surge protection device - PLT-SEC-T3-60-FM - 2905225

Technical data

Protective circuit

| | |
|---|-------------------------------------|
| Voltage protection level U_p (N-PE) | ≤ 0.9 kV |
| TOV behavior at U_T (L-N) | 120 V AC (5 s / withstand mode) |
| | 120 V AC (120 min / withstand mode) |
| TOV behavior at U_T (L-PE) | 120 V AC (5 s / withstand mode) |
| | 120 V AC (120 min / withstand mode) |
| Response time t_A (L-N) | ≤ 25 ns |
| Response time t_A (L-PE) | ≤ 100 ns |
| Response time t_A (N-PE) | ≤ 100 ns |
| Short-circuit current rating I_{SCCR} | 1.5 kA AC |
| | 1 kA DC |
| Max. backup fuse with branch wiring | not required |
| Maximum backup fuse for through wiring | 25 A (gG / B / C) |

Indicator/remote signaling

| | |
|----------------------------------|---|
| Switching function | N/C contact |
| Operating voltage | 250 V AC |
| | 125 V DC (200 mA DC) |
| Operating current | 3 A AC |
| | 1 A DC (30 V DC) |
| Connection method | Screw connection |
| Conductor cross section flexible | 0.2 mm ² ... 2.5 mm ² |
| Conductor cross section solid | 0.2 mm ² ... 4 mm ² |
| Conductor cross section AWG | 24 ... 12 |
| Screw thread | M3 |
| Tightening torque | 0.8 Nm |
| Stripping length | 8 mm |

Connection data

| | |
|----------------------------------|---|
| Connection method | Screw connection |
| Conductor cross section flexible | 0.2 mm ² ... 2.5 mm ² |
| Conductor cross section solid | 0.2 mm ² ... 4 mm ² |
| Conductor cross section AWG | 24 ... 12 |
| Screw thread | M3 |
| Tightening torque | 0.8 Nm |
| Stripping length | 8 mm |

UL specifications

| | |
|---|----------|
| SPD Type | 4CA |
| Maximum continuous operating voltage MCOV | 100 V AC |
| | 80 V DC |
| Nominal voltage | 60 V DC |
| Rated load current I_L | 25 A |

Type 3 surge protection device - PLT-SEC-T3-60-FM - 2905225

Technical data

UL specifications

| | |
|---|--------------|
| Mode of protection | L-N |
| | L-G |
| | N-G |
| | (L+) - (L-) |
| | (L+) - G |
| | (L-) - G |
| Power distribution system | Single phase |
| Nominal frequency | 50/60 Hz |
| Measured limiting voltage MLV (L-N) | 540 V |
| Measured limiting voltage MLV (L-G) | 830 V |
| Measured limiting voltage MLV (N-G) | 830 V |
| Measured limiting voltage MLV (L+) - (L-) | 540 V |
| Measured limiting voltage MLV (L+) - G | 830 V |
| Measured limiting voltage MLV (L-) - G | 830 V |
| Nominal discharge current I _n | 3 kA |

UL indicator/remote signaling

| | |
|-----------------------------|---|
| Tightening torque | 5 lb _f -in. ... 7 lb _f -in. |
| Conductor cross section AWG | 14 ... 12 |

UL connection data

| | |
|-----------------------------|---|
| Conductor cross section AWG | 14 ... 12 |
| Tightening torque | 5 lb _f -in. ... 7 lb _f -in. |

Standards and Regulations

| | |
|--------------------------|------------------|
| Standards/specifications | EN 61643-11 2012 |
|--------------------------|------------------|

Environmental Product Compliance

| | |
|------------|---|
| | Lead 7439-92-1 |
| China RoHS | Environmentally Friendly Use Period = 50 |
| | For details about hazardous substances go to tab "Downloads", Category "Manufacturer's declaration" |

Drawings

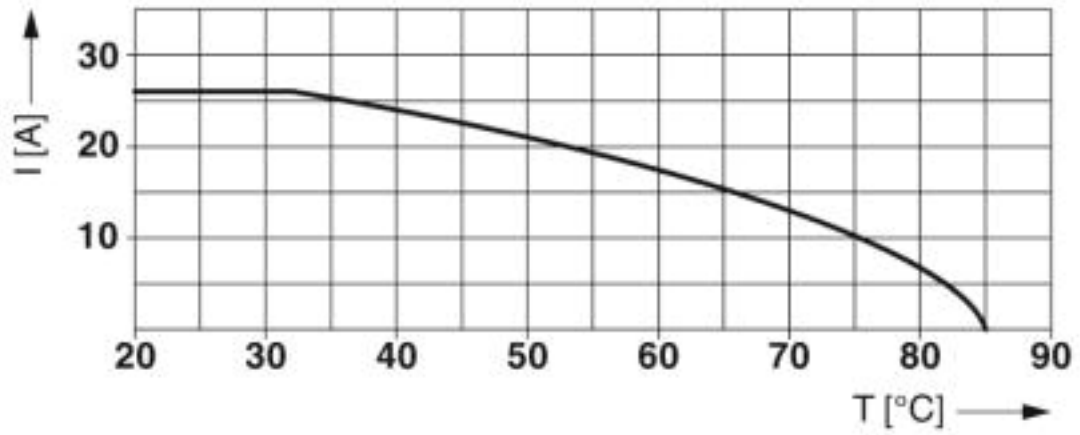
Type 3 surge protection device - PLT-SEC-T3-60-FM - 2905225

Product drawing



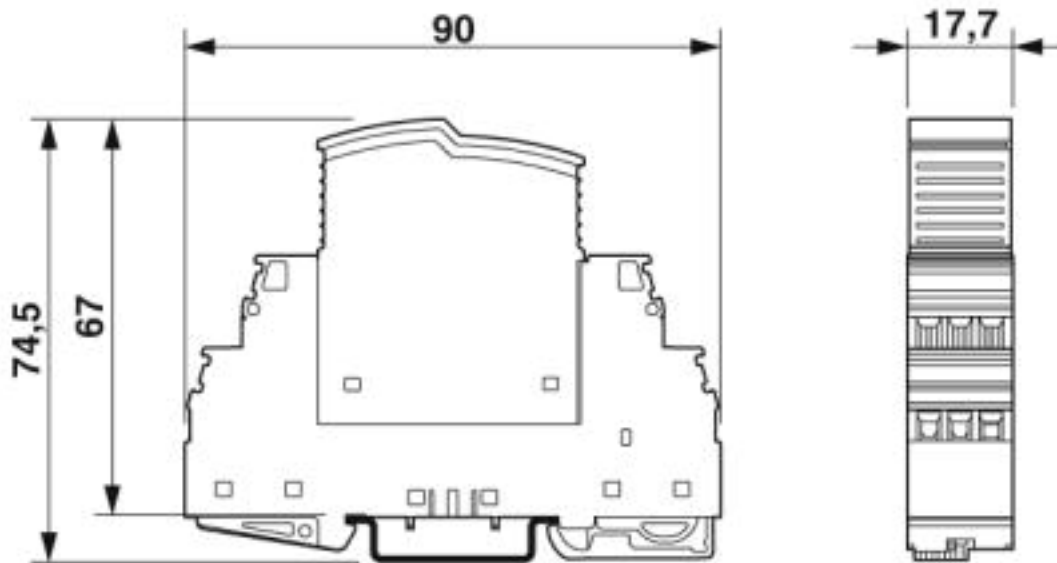
Type 3 surge protection device - PLT-SEC-T3-60-FM - 2905225

Diagram



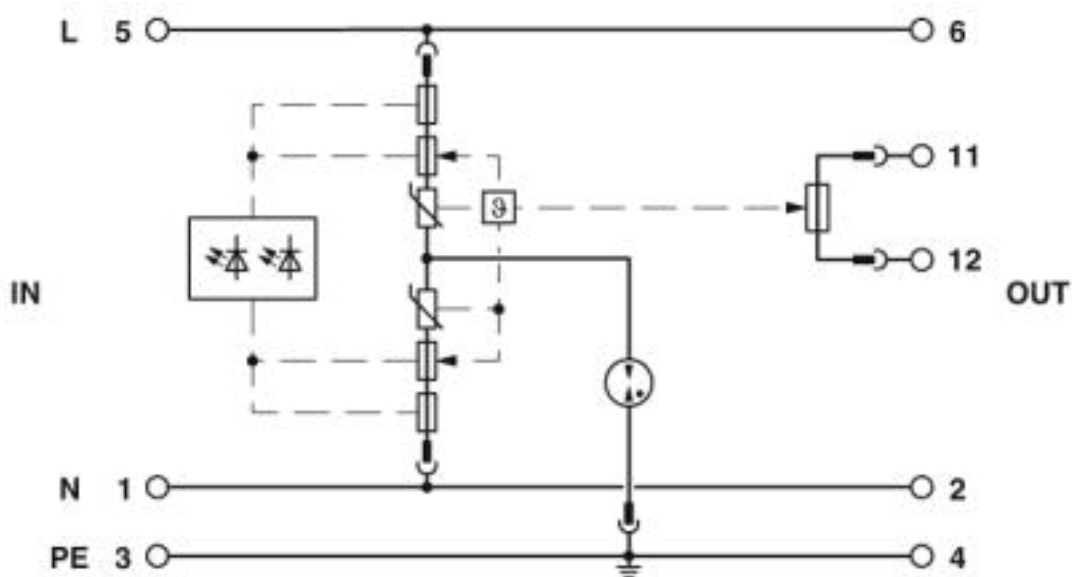
Nominal current depending on ambient temperature

Dimensional drawing



Type 3 surge protection device - PLT-SEC-T3-60-FM - 2905225

Circuit diagram



Classifications

eCl@ss

| | |
|------------|----------|
| eCl@ss 4.0 | 27130800 |
| eCl@ss 4.1 | 27130800 |
| eCl@ss 5.0 | 27130800 |
| eCl@ss 5.1 | 27130800 |
| eCl@ss 6.0 | 27130800 |
| eCl@ss 7.0 | 27130806 |
| eCl@ss 8.0 | 27130806 |
| eCl@ss 9.0 | 27130806 |

ETIM

| | |
|----------|----------|
| ETIM 5.0 | EC000942 |
| ETIM 6.0 | EC000942 |
| ETIM 7.0 | EC000942 |

UNSPSC

| | |
|-------------|----------|
| UNSPSC 13.2 | 39121620 |
| UNSPSC 18.0 | 39121620 |
| UNSPSC 19.0 | 39121620 |
| UNSPSC 20.0 | 39121620 |
| UNSPSC 21.0 | 39121620 |

Approvals

Approvals

Type 3 surge protection device - PLT-SEC-T3-60-FM - 2905225

Approvals

Approvals

CSA / GL / CCA / KEMA-KEUR / EAC / UL Recognized

Ex Approvals

cULus Recognized

Approval details

| | | | |
|---------------|--|---|-------------------------|
| CSA | | http://www.csagroup.org/services-industries/product-listing/ | 70056020 |
| GL | | https://approvalfinder.dnvgl.com/ | 14588-15 HH |
| CCA | | | NTR-NL 7399 |
| KEMA-KEUR | | http://www.dekra-certification.com | 2173868.01 |
| EAC | | | RU C- DE.A*30.B01561 |
| UL Recognized | | http://database.ul.com/cgi-bin/XYV/template/LISEXT/1FRAME/index.htm | FILE E 330181 |

Accessories

Accessories

Device marking

Label - EML (20XE)R - 0803452



Label, Roll, white, unlabeled, can be labeled with: THERMOMARK ROLLMASTER 300/600, THERMOMARK X1.2, THERMOMARK ROLL X1, THERMOMARK ROLL 2.0, THERMOMARK ROLL, mounting type: adhesive, lettering field size: continuous x 20 mm

Type 3 surge protection device - PLT-SEC-T3-60-FM - 2905225

Accessories

Label - EML (20XE)R YE - 0803453



Label, Roll, yellow, unlabeled, can be labeled with: THERMOMARK ROLLMASTER 300/600, THERMOMARK X1.2, THERMOMARK ROLL X1, THERMOMARK ROLL 2.0, THERMOMARK ROLL, mounting type: adhesive, lettering field size: continuous x 20 mm

End block

End clamp - CLIPFIX 35 - 3022218



Quick mounting end clamp for NS 35/7,5 DIN rail or NS 35/15 DIN rail, with marking option, width: 9.5 mm, color: gray

Marker pen

Marker pen - X-PEN 0,35 - 0811228



Marker pen without ink cartridge, for manual labeling of markers, labeling extremely wipe-proof, line thickness 0.35 mm

Spare parts

Type 3 surge protection plug - PLT-SEC-T3-60-P - 2905233



Replacement plug for type 3 device protection from the PLUGTRAB SEC T3 product range. 60 V nominal voltage.