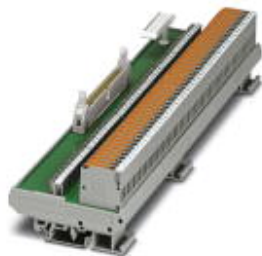


## Passive module - FLKM 50/KDS3-MT/PPA/AN/PLC - 2291587

Please be informed that the data shown in this PDF Document is generated from our Online Catalog. Please find the complete data in the user's documentation. Our General Terms of Use for Downloads are valid (<http://phoenixcontact.com/download>)




VARIOFACE interface module for Siemens SIMATIC® S7-400, with labeling (1-50), knife disconnect terminal block and test connection, module width: 259 mm

### Your advantages

- Numerical labeling (1 - 50)
- Specifically for S7-400 (in conjunction with the FLKM 50-PA-S400 (3-48) front adapter, Order No. 2294908)



### Key Commercial Data

Packing unit	1 pc
GTIN	 4 017918 184636
GTIN	4017918184636
Weight per Piece (excluding packing)	464.340 g
Custom tariff number	85369010
Country of origin	Germany
Note	Made to Order (non-returnable)

### Technical data

#### Dimensions

Width	259 mm
Height	77 mm
Depth	52.5 mm

#### Ambient conditions

Ambient temperature (operation)	-20 °C ... 50 °C
Ambient temperature (storage/transport)	-20 °C ... 70 °C
Degree of protection	IP00

#### General

Nominal voltage $U_N$	60 V DC
-----------------------	---------

# Passive module - FLKM 50/KDS3-MT/PPA/AN/PLC - 2291587

## Technical data

### General

Max. perm. current (per branch)	1 A
Number of positions	50
Status display	No
Mounting position	any

### Connection data

Connection name	Field level
Connection method	Screw connection with disconnect knife
Stripping length	8 mm
Screw thread	M3
Conductor cross section solid	0.2 mm <sup>2</sup> ... 4 mm <sup>2</sup>
Conductor cross section flexible	0.2 mm <sup>2</sup> ... 2.5 mm <sup>2</sup>
Conductor cross section AWG	24 ... 12

### Connection data 2

Connection name	Controller level
Connection method	IDC/FLK pin strip
Number of connections	1
Number of positions	50
Pitch	2.54 mm

### Supported controller

Controller	SIEMENS S7-400
- suitable I/O card	6ES7 431-0HH0-0AB0
	6ES7 431-1KF00-0AB0
	6ES7 431-1KF10-0AB0
	6ES7 431-1KF20-0AB0
	6ES7 431-7KF00-0AB0
	6ES7 431-7KF10-0AB0
	6ES7 431-7QH00-0AB0
	6ES7 432-1HF00-0AB0

### Standards and Regulations

Standards/regulations	DIN EN 50178
	IEC 60664
Rated insulation voltage	63 V
Rated surge voltage	0.6 kV
Insulation	Functional insulation
Pollution degree	2
Overvoltage category	II

### Environmental Product Compliance

REACH SVHC	Lead 7439-92-1
------------	----------------

# Passive module - FLKM 50/KDS3-MT/PPA/AN/PLC - 2291587

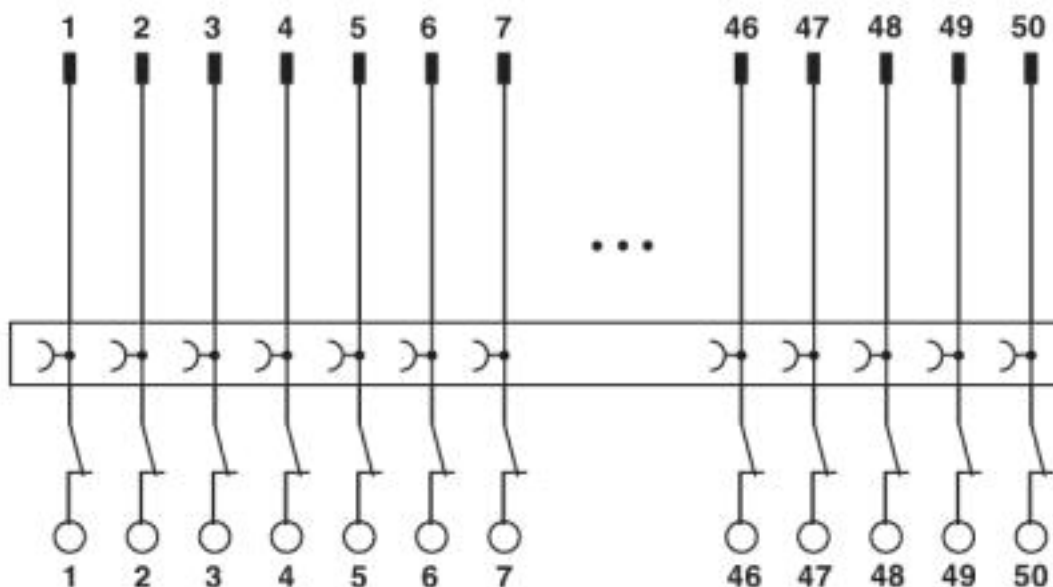
## Technical data

### Environmental Product Compliance

China RoHS	Environmentally Friendly Use Period = 50
	For details about hazardous substances go to tab "Downloads", Category "Manufacturer's declaration"

## Drawings

Circuit diagram



FLKM 50/KDS3-MT/PPA/AN/PLC connection scheme

## Classifications

### eCl@ss

eCl@ss 4.0	27250300
eCl@ss 4.1	27250300
eCl@ss 5.0	27371600
eCl@ss 5.1	27371600
eCl@ss 6.0	27371600
eCl@ss 7.0	27141152
eCl@ss 8.0	27141152
eCl@ss 9.0	27141152

### ETIM

ETIM 5.0	EC002780
ETIM 6.0	EC002780
ETIM 7.0	EC002780

# Passive module - FLKM 50/KDS3-MT/PPA/AN/PLC - 2291587

## Classifications

### UNSPSC

UNSPSC 6.01	30211824
UNSPSC 7.0901	39121421
UNSPSC 11	39121421
UNSPSC 12.01	39121421
UNSPSC 13.2	39121432
UNSPSC 18.0	39121432
UNSPSC 19.0	39121432
UNSPSC 20.0	39121432
UNSPSC 21.0	39121432

## Approvals


### Approvals


#### Approvals


UL Listed / cUL Listed / EAC / cULus Listed

#### Ex Approvals

### Approval details

UL Listed		<a href="http://database.ul.com/cgi-bin/XYV/template/LISEXT/1FRAME/index.htm">http://database.ul.com/cgi-bin/XYV/template/LISEXT/1FRAME/index.htm</a>	FILE E 238705
Nominal voltage UN		24 V	
Nominal current IN		1 A	

cUL Listed		<a href="http://database.ul.com/cgi-bin/XYV/template/LISEXT/1FRAME/index.htm">http://database.ul.com/cgi-bin/XYV/template/LISEXT/1FRAME/index.htm</a>	FILE E 238705
Nominal voltage UN		24 V	
Nominal current IN		1 A	

EAC		RU C- DE.A*30.B.01742
-----	---	--------------------------

## Passive module - FLKM 50/KDS3-MT/PPA/AN/PLC - 2291587

### Approvals

cULus Listed



### Accessories

#### Additional products

Test plugs - MPS-MT - 0201744



Test plugs, with solder connection up to 1 mm<sup>2</sup> conductor cross section, color: gray

Insulating sleeve - MPS-IH WH - 0201663

Insulating sleeve, color: white



Insulating sleeve - MPS-IH RD - 0201676

Insulating sleeve, color: red



Insulating sleeve - MPS-IH BU - 0201689

Insulating sleeve, color: blue



## Passive module - FLKM 50/KDS3-MT/PPA/AN/PLC - 2291587

### Accessories

Insulating sleeve - MPS-IH YE - 0201692

Insulating sleeve, color: yellow



Insulating sleeve - MPS-IH GN - 0201702

Insulating sleeve, color: green



Insulating sleeve - MPS-IH BK - 0201731

Insulating sleeve, color: black



Insulating sleeve - MPS-IH GY - 0201728

Insulating sleeve, color: gray



Reducing plug - RPS - 0201647

Reducing plug, color: gray



## Passive module - FLKM 50/KDS3-MT/PPA/AN/PLC - 2291587

### Accessories

Marker pin Zack strip - BN-ZB 5/WH:UNBEDRUCKT - 1400078



Marker pin Zack strip, Strip, white, unlabeled, can be labeled with: CMS-P1-PLOTTER, mounting type: plug in, for terminal block width: 5 mm, lettering field size: 4 x 4 mm, Number of individual labels: 10

Marker pin Zack strip - BNB-ZB 5,LGS:FORTL.ZAHLEN - 1400201



Marker pin Zack strip, Strip, white, labeled, printed horizontally: consecutive numbers 1 ... 10, 11 ... 20, etc. up to 491 ... 500, mounting type: plug in, for terminal block width: 5 mm, lettering field size: 4 x 4 mm, Number of individual labels: 10

Marker pen - B-STIFT - 1051993



Marker pen, for manual labeling of unprinted Zack strips, smear-proof and waterproof, line thickness 0.5 mm

Screwdriver - SZG 0,6X3,5 VDE - 1205121



Screwdriver, slot-headed, graded, for test socket screws, size: 0.6 x 3.5 x 100 mm, 2-component grip, with non-slip grip