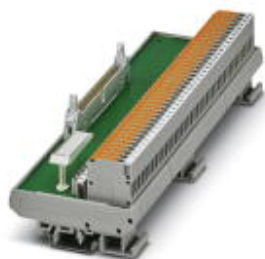


Interface module - FLKM 50/KDS3-MT/PPA/S7-1500 - 2909893

Please be informed that the data shown in this PDF Document is generated from our Online Catalog. Please find the complete data in the user's documentation. Our General Terms of Use for Downloads are valid (<http://phoenixcontact.com/download>)



VARIOFACE termination board for Siemens SIMATIC® S7-1500, with SIMATIC®-specific marking (1 - 40), knife disconnect terminal block, and test point



Key Commercial Data

Packing unit	1 pc
GTIN	
GTIN	4055626407876
Weight per Piece (excluding packing)	490.000 g
Custom tariff number	85369010
Country of origin	Germany
Note	Made to Order (non-returnable)

Technical data

Dimensions

Width	214 mm
Height	77 mm
Depth	52.5 mm

Ambient conditions

Ambient temperature (operation)	-20 °C ... 70 °C
Ambient temperature (storage/transport)	-20 °C ... 70 °C
Maximum altitude	2000 m
Degree of protection	IP20
	≥ IP54 (Installation location)

General

Nominal voltage U _N	25 V AC
	60 V DC
Max. perm. current (per branch)	1 A

Interface module - FLKM 50/KDS3-MT/PPA/S7-1500 - 2909893

Technical data

General

Max. permissible current (all branches)	2 A (Terminal 9, 10, 19, 20, 29, 30, 39, 40)
Status display	No
Mounting position	any
Assembly instructions	In rows with zero spacing

Connection data

Connection name	Field level
Connection method	Screw connection with disconnect knife
Stripping length	8 mm
Screw thread	M3
Conductor cross section solid	0.2 mm ² ... 4 mm ²
Conductor cross section flexible	0.2 mm ² ... 2.5 mm ²
Conductor cross section AWG	24 ... 12

Connection data 2

Connection name	Controller level
Connection method	IDC/FLK pin strip
Number of connections	1
Number of positions	50
Pitch	2.54 mm

Supported controller

Controller	SIEMENS S7-1500
- suitable I/O card	6ES7 531-7KF00-0AB0
	6ES7 531-7NF00-0AB0
	6ES7 531-7NF10-0AB0
	6ES7 531-7PF00-0AB0
	6ES7 532-5HF00-0AB0

Standards and Regulations

Standards/regulations	DIN EN 50178
Rated insulation voltage	63 V
Rated surge voltage	0.6 kV
Insulation	Functional insulation
Pollution degree	2
Overvoltage category	II

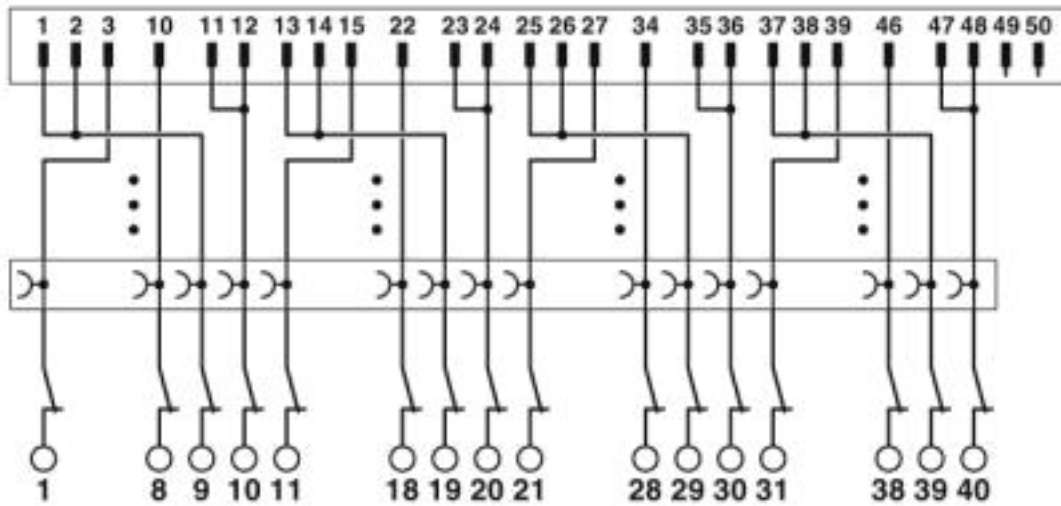
Environmental Product Compliance

REACH SVHC	Lead 7439-92-1
China RoHS	Environmentally Friendly Use Period = 50
	For details about hazardous substances go to tab "Downloads", Category "Manufacturer's declaration"

Drawings

Interface module - FLKM 50/KDS3-MT/PPA/S7-1500 - 2909893

Circuit diagram



Classifications

eCl@ss

eCl@ss 4.0	27250313
eCl@ss 4.1	27250313
eCl@ss 5.0	27250313
eCl@ss 5.1	27250313
eCl@ss 7.0	27141152
eCl@ss 8.0	27141152
eCl@ss 9.0	27141152

ETIM

ETIM 5.0	EC002780
ETIM 6.0	EC002780
ETIM 7.0	EC002780

Approvals

Approvals

Approvals

UL Listed / cUL Listed / EAC / cULus Listed

Ex Approvals

Approval details

Interface module - FLKM 50/KDS3-MT/PPA/S7-1500 - 2909893

Approvals

UL Listed		http://database.ul.com/cgi-bin/XYV/template/LISEXT/1FRAME/index.htm	FILE E 238705
-----------	--	---	---------------

cUL Listed		http://database.ul.com/cgi-bin/XYV/template/LISEXT/1FRAME/index.htm	FILE E 238705
------------	--	---	---------------

EAC			RU C- DE.A*30.B.01742
-----	--	--	--------------------------

cULus Listed			
--------------	--	--	--

Accessories

Accessories

Front adapter

Front adapters - FLKM 50-PA/AN/S7-1500 - 2907386



VARIOFACE front adapter, for SIMATIC® S7-1500 analog 35 mm modules, 8 channels can be connected (40 or 20-pos. modules).

System cable

Cable - FLK 50/EZ-DR/ 50/KONFEK - 2289065



Round cable set; connection 1: IDC/FLK socket strip (1x 50-position); connection 2: IDC/FLK socket strip (1x 50-position); cable length: 0.5 m

Cable - FLK 50/EZ-DR/ 100/KONFEK - 2289078



Round cable set; connection 1: IDC/FLK socket strip (1x 50-position); connection 2: IDC/FLK socket strip (1x 50-position); cable length: 1 m

Interface module - FLKM 50/KDS3-MT/PPA/S7-1500 - 2909893

Accessories

Cable - FLK 50/EZ-DR/ 150/KONFEK - 2289081



Round cable set; connection 1: IDC/FLK socket strip (1x 50-position); connection 2: IDC/FLK socket strip (1x 50-position); cable length: 1.5 m

Cable - FLK 50/EZ-DR/ 200/KONFEK - 2289094



Round cable set; connection 1: IDC/FLK socket strip (1x 50-position); connection 2: IDC/FLK socket strip (1x 50-position); cable length: 2 m

Cable - FLK 50/EZ-DR/ 250/KONFEK - 2289104



Round cable set; connection 1: IDC/FLK socket strip (1x 50-position); connection 2: IDC/FLK socket strip (1x 50-position); cable length: 2.5 m

Cable - FLK 50/EZ-DR/ 300/KONFEK - 2289117



Round cable set; connection 1: IDC/FLK socket strip (1x 50-position); connection 2: IDC/FLK socket strip (1x 50-position); cable length: 3 m

Cable - FLK 50/EZ-DR/ 350/KONFEK - 2289120



Round cable set; connection 1: IDC/FLK socket strip (1x 50-position); connection 2: IDC/FLK socket strip (1x 50-position); cable length: 3.5 m

Interface module - FLKM 50/KDS3-MT/PPA/S7-1500 - 2909893

Accessories

Cable - FLK 50/EZ-DR/ 400/KONFEK - 2289133



Round cable set; connection 1: IDC/FLK socket strip (1x 50-position); connection 2: IDC/FLK socket strip (1x 50-position); cable length: 4 m

Cable - FLK 50/EZ-DR/ 450/KONFEK - 2289573



Round cable set; connection 1: IDC/FLK socket strip (1x 50-position); connection 2: IDC/FLK socket strip (1x 50-position); cable length: 4.5 m

Cable - FLK 50/EZ-DR/ 500/KONFEK - 2289586



Round cable set; connection 1: IDC/FLK socket strip (1x 50-position); connection 2: IDC/FLK socket strip (1x 50-position); cable length: 5 m

Cable - FLK 50/EZ-DR/ 550/KONFEK - 2289599



Round cable set; connection 1: IDC/FLK socket strip (1x 50-position); connection 2: IDC/FLK socket strip (1x 50-position); cable length: 5.5 m

Cable - FLK 50/EZ-DR/ 600/KONFEK - 2289609



Round cable set; connection 1: IDC/FLK socket strip (1x 50-position); connection 2: IDC/FLK socket strip (1x 50-position); cable length: 6 m

Interface module - FLKM 50/KDS3-MT/PPA/S7-1500 - 2909893

Accessories

Cable - FLK 50/EZ-DR/ 650/KONFEK - 2289612



Round cable set; connection 1: IDC/FLK socket strip (1x 50-position); connection 2: IDC/FLK socket strip (1x 50-position); cable length: 6.5 m

Cable - FLK 50/EZ-DR/ 700/KONFEK - 2289625



Round cable set; connection 1: IDC/FLK socket strip (1x 50-position); connection 2: IDC/FLK socket strip (1x 50-position); cable length: 7 m

Cable - FLK 50/EZ-DR/ 750/KONFEK - 2289638



Round cable set; connection 1: IDC/FLK socket strip (1x 50-position); connection 2: IDC/FLK socket strip (1x 50-position); cable length: 7.5 m

Cable - FLK 50/EZ-DR/ 800/KONFEK - 2289641



Round cable set; connection 1: IDC/FLK socket strip (1x 50-position); connection 2: IDC/FLK socket strip (1x 50-position); cable length: 8 m

Cable - FLK 50/EZ-DR/ 850/KONFEK - 2289654



Round cable set; connection 1: IDC/FLK socket strip (1x 50-position); connection 2: IDC/FLK socket strip (1x 50-position); cable length: 8.5 m

Interface module - FLKM 50/KDS3-MT/PPA/S7-1500 - 2909893

Accessories

Cable - FLK 50/EZ-DR/ 900/KONFEK - 2289667



Round cable set; connection 1: IDC/FLK socket strip (1x 50-position); connection 2: IDC/FLK socket strip (1x 50-position); cable length: 9 m

Cable - FLK 50/EZ-DR/ 950/KONFEK - 2289670



Round cable set; connection 1: IDC/FLK socket strip (1x 50-position); connection 2: IDC/FLK socket strip (1x 50-position); cable length: 9.5 m

Cable - FLK 50/EZ-DR/1000/KONFEK - 2289683



Round cable set; connection 1: IDC/FLK socket strip (1x 50-position); connection 2: IDC/FLK socket strip (1x 50-position); cable length: 10 m

Cable - FLK 50/EZ-DR/ 50/KONFEK/S - 2299097



Assembled shielded round cable; connection 1: IDC/FLK socket strip (1x 50-position); connection 2: IDC/FLK socket strip (1x 50-position) (The braided shield is routed to a separate cable end.); cable length: 0.5 m

Cable - FLK 50/EZ-DR/ 100/KONFEK/S - 2299107



Assembled shielded round cable; connection 1: IDC/FLK socket strip (1x 50-position); connection 2: IDC/FLK socket strip (1x 50-position) (The braided shield is routed to a separate cable end.); cable length: 1 m

Interface module - FLKM 50/KDS3-MT/PPA/S7-1500 - 2909893

Accessories

Cable - FLK 50/EZ-DR/ 150/KONFEK/S - 2299110



Assembled shielded round cable; connection 1: IDC/FLK socket strip (1x 50-position); connection 2: IDC/FLK socket strip (1x 50-position) (The braided shield is routed to a separate cable end.); cable length: 1.5 m

Cable - FLK 50/EZ-DR/ 200/KONFEK/S - 2299123



Assembled shielded round cable; connection 1: IDC/FLK socket strip (1x 50-position); connection 2: IDC/FLK socket strip (1x 50-position) (The braided shield is routed to a separate cable end.); cable length: 2 m

Cable - FLK 50/EZ-DR/ 300/KONFEK/S - 2299136



Assembled shielded round cable; connection 1: IDC/FLK socket strip (1x 50-position); connection 2: IDC/FLK socket strip (1x 50-position) (The braided shield is routed to a separate cable end.); cable length: 3 m

Cable - FLK 50/EZ-DR/ 400/KONFEK/S - 2299149



Assembled shielded round cable; connection 1: IDC/FLK socket strip (1x 50-position); connection 2: IDC/FLK socket strip (1x 50-position) (The braided shield is routed to a separate cable end.); cable length: 4 m

Cable - FLK 50/EZ-DR/ 600/KONFEK/S - 2299152



Assembled shielded round cable; connection 1: IDC/FLK socket strip (1x 50-position); connection 2: IDC/FLK socket strip (1x 50-position) (The braided shield is routed to a separate cable end.); cable length: 6 m

Interface module - FLKM 50/KDS3-MT/PPA/S7-1500 - 2909893

Accessories

Cable - FLK 50/EZ-DR/ 800/KONFEK/S - 2299165



Assembled shielded round cable; connection 1: IDC/FLK socket strip (1x 50-position); connection 2: IDC/FLK socket strip (1x 50-position) (The braided shield is routed to a separate cable end.); cable length: 8 m

Cable - FLK 50/EZ-DR/1000/KONFEK/S - 2299178



Assembled shielded round cable; connection 1: IDC/FLK socket strip (1x 50-position); connection 2: IDC/FLK socket strip (1x 50-position) (The braided shield is routed to a separate cable end.); cable length: 10 m

Cable - CABLE-FLK50/0,14/HF/ 0,5M - 2314134



Assembled, halogen-free round cable; connection 1: IDC/FLK socket strip (1x 50-position); connection 2: IDC/FLK socket strip (1x 50-position); cable length: 0.5 m

Cable - CABLE-FLK50/0,14/HF/ 1,0M - 2314147



Assembled, halogen-free round cable; connection 1: IDC/FLK socket strip (1x 50-position); connection 2: IDC/FLK socket strip (1x 50-position); cable length: 1 m

Cable - CABLE-FLK50/0,14/HF/ 1,5M - 2314150



Assembled, halogen-free round cable; connection 1: IDC/FLK socket strip (1x 50-position); connection 2: IDC/FLK socket strip (1x 50-position); cable length: 1.5 m

Interface module - FLKM 50/KDS3-MT/PPA/S7-1500 - 2909893

Accessories

Cable - CABLE-FLK50/0,14/HF/ 2,0M - 2314163



Assembled, halogen-free round cable; connection 1: IDC/FLK socket strip (1x 50-position); connection 2: IDC/FLK socket strip (1x 50-position); cable length: 2 m

Cable - CABLE-FLK50/0,14/HF/ 2,5M - 2314176



Assembled, halogen-free round cable; connection 1: IDC/FLK socket strip (1x 50-position); connection 2: IDC/FLK socket strip (1x 50-position); cable length: 2.5 m

Cable - CABLE-FLK50/0,14/HF/ 3,0M - 2314189



Assembled, halogen-free round cable; connection 1: IDC/FLK socket strip (1x 50-position); connection 2: IDC/FLK socket strip (1x 50-position); cable length: 3 m

Cable - CABLE-FLK50/0,14/HF/ 4,0M - 2314192



Assembled, halogen-free round cable; connection 1: IDC/FLK socket strip (1x 50-position); connection 2: IDC/FLK socket strip (1x 50-position); cable length: 4 m

Cable - CABLE-FLK50/0,14/HF/ 5,0M - 2314202



Assembled, halogen-free round cable; connection 1: IDC/FLK socket strip (1x 50-position); connection 2: IDC/FLK socket strip (1x 50-position); cable length: 5 m

Interface module - FLKM 50/KDS3-MT/PPA/S7-1500 - 2909893

Accessories

Cable - CABLE-FLK50/0,14/HF/ 6,0M - 2314215



Assembled, halogen-free round cable; connection 1: IDC/FLK socket strip (1x 50-position); connection 2: IDC/FLK socket strip (1x 50-position); cable length: 6 m

Cable - CABLE-FLK50/0,14/HF/ 7,0M - 2314228



Assembled, halogen-free round cable; connection 1: IDC/FLK socket strip (1x 50-position); connection 2: IDC/FLK socket strip (1x 50-position); cable length: 7 m

Cable - CABLE-FLK50/0,14/HF/ 8,0M - 2314231



Assembled, halogen-free round cable; connection 1: IDC/FLK socket strip (1x 50-position); connection 2: IDC/FLK socket strip (1x 50-position); cable length: 8 m

Cable - CABLE-FLK50/0,14/HF/10,0M - 2314244



Assembled, halogen-free round cable; connection 1: IDC/FLK socket strip (1x 50-position); connection 2: IDC/FLK socket strip (1x 50-position); cable length: 10 m