

## Front adapters - FLKM S135/S400/SO120 - 2301723

Please be informed that the data shown in this PDF Document is generated from our Online Catalog. Please find the complete data in the user's documentation. Our General Terms of Use for Downloads are valid (<http://phoenixcontact.com/download>)



The FLKM S135/S400/SO adapter links a SIMATIC® S5 plug directly with the basic SIMATIC® S7 400 card.  
Conversion: S5 card 6ES5 420-4UA14 to S7 card 6ES7-421-1BL01-0AA0

### Key Commercial Data

Packing unit	1 pc
GTIN	
GTIN	4017918962470
Weight per Piece (excluding packing)	360.000 g
Custom tariff number	85369010
Country of origin	Germany

### Technical data

#### Note

Type of note	Notes on operation
Note	The LEDs of the S7-400 module are hidden.

#### Ambient conditions

Ambient temperature (operation)	-20 °C ... 50 °C
Ambient temperature (storage/transport)	-20 °C ... 70 °C
Degree of protection	IP00

#### General

Max. permissible operating voltage	60 V DC
Max. permissible current	4 A (per path)
	4 A (per connection, supply via separate power supply)
Mounting position	any

#### Connection data

Connection name	Field level
-----------------	-------------

# Front adapters - FLKM S135/S400/SO120 - 2301723

## Technical data

### Connection data

Connection method	SIEMENS S5-135 U pin strip
-------------------	----------------------------

### Supported controller

Controller	SIEMENS S5-135 U
- suitable I/O card	6ES5 420-4UA14
Controller	SIEMENS S7-400
- suitable I/O card	6ES7 421-1BL01-0AA0

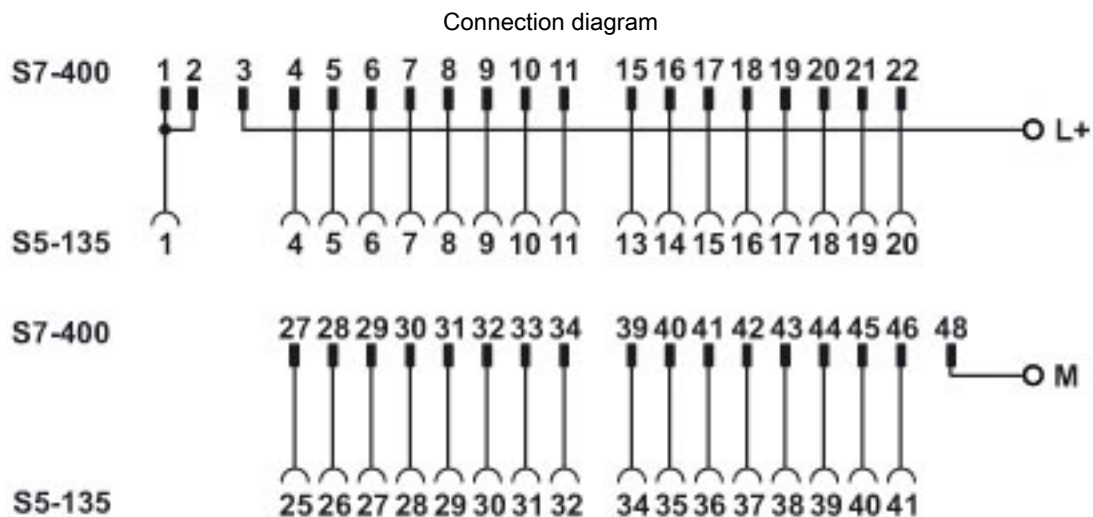
### Standards and Regulations

Standards/regulations	IEC 60664
	DIN EN 50178
Rated insulation voltage	63 V
Rated surge voltage	0.6 kV (Functional insulation)
Pollution degree	2
Overvoltage category	II

### Environmental Product Compliance

China RoHS	Environmentally Friendly Use Period = 50
	For details about hazardous substances go to tab "Downloads", Category "Manufacturer's declaration"

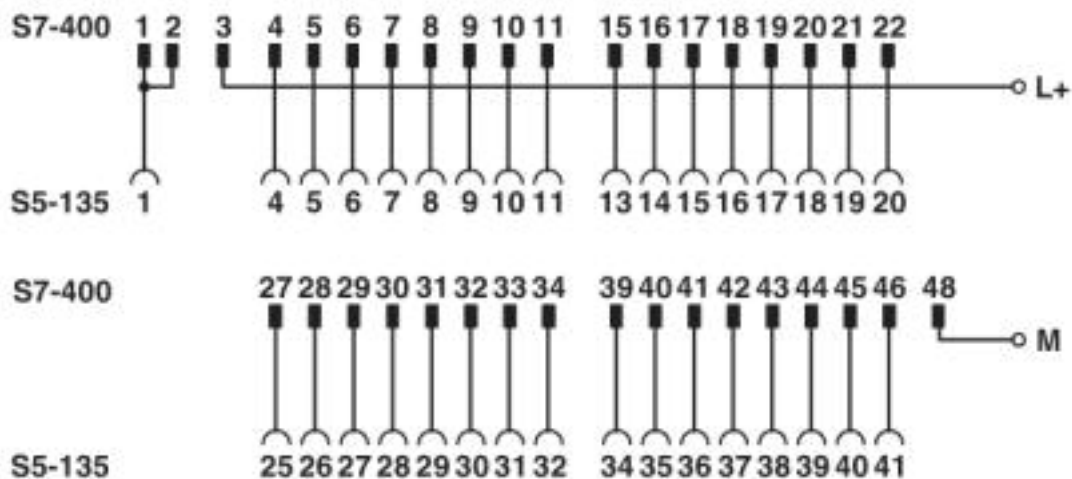
## Drawings



Connection scheme: FLKM S135/S400/SO120

## Front adapters - FLKM S135/S400/SO120 - 2301723

Circuit diagram



Connection scheme: FLKM S135/S400/SO120

### Classifications

eCl@ss

eCl@ss 4.0	27250300
eCl@ss 4.1	27250300
eCl@ss 5.0	27250300
eCl@ss 5.1	27250300
eCl@ss 6.0	27249200
eCl@ss 7.0	27249290
eCl@ss 8.0	27249290
eCl@ss 9.0	27242292

ETIM

ETIM 4.0	EC002584
ETIM 5.0	EC002584
ETIM 6.0	EC002584
ETIM 7.0	EC002584

UNSPSC

UNSPSC 6.01	30211824
UNSPSC 7.0901	39121421
UNSPSC 11	39121421
UNSPSC 12.01	39121421
UNSPSC 13.2	32151601
UNSPSC 18.0	32151601
UNSPSC 19.0	32151601
UNSPSC 20.0	32151601

## Front adapters - FLKM S135/S400/SO120 - 2301723

### Classifications

#### UNSPSC

UNSPSC 21.0	32151601
-------------	----------

### Approvals

#### Approvals

---

#### Approvals

EAC

---

#### Ex Approvals

---

### Approval details

EAC		RU C- DE.A*30.B.01742
-----	--	--------------------------

---