

Front adapters - FLKM S135-460-4UA/I/S400 - 2314613

Please be informed that the data shown in this PDF Document is generated from our Online Catalog. Please find the complete data in the user's documentation. Our General Terms of Use for Downloads are valid (<http://phoenixcontact.com/download>)



The FLKM S135/S400 adapter connects a SIMATIC® S5 plug directly to the SIMATIC® S7 400 base board.
Conversion: 6ES5 460-4UA13 (current measurement) to 6ES7 431 1KF00-0AB0

Key Commercial Data

Packing unit	1 pc
GTIN	
GTIN	4046356143882
Weight per Piece (excluding packing)	334.700 g
Custom tariff number	85369010
Country of origin	Germany

Technical data

Note

Type of note	Notes on operation
Note	The LEDs of the S7-400 module are hidden.

Ambient conditions

Ambient temperature (operation)	-20 °C ... 50 °C
Ambient temperature (storage/transport)	-20 °C ... 70 °C
Degree of protection	IP00

General

Max. permissible operating voltage	60 V DC
Max. permissible current	4 A (per path)
	4 A (per connection, supply via separate power supply)
Mounting position	any

Connection data

Connection name	Field level
-----------------	-------------

Front adapters - FLKM S135-460-4UA/I/S400 - 2314613

Technical data

Connection data

Connection method	SIEMENS S5-135 U pin strip
-------------------	----------------------------

Supported controller

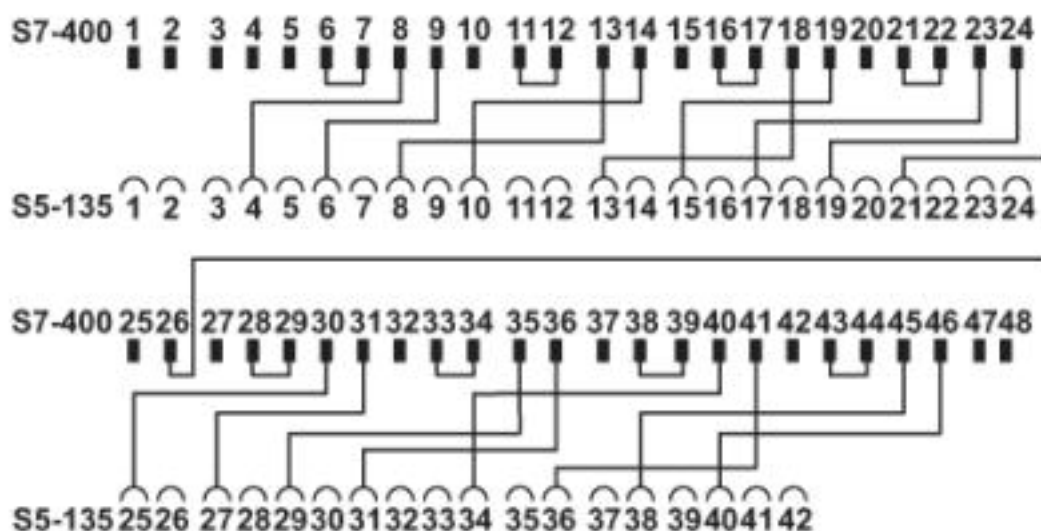
Controller	SIEMENS S5-135 U
- suitable I/O card	6ES5 460-4UA13

Environmental Product Compliance

China RoHS	Environmentally Friendly Use Period = 50
	For details about hazardous substances go to tab "Downloads", Category "Manufacturer's declaration"

Drawings

Circuit diagram



FLKM S135-460-4UA/I/S400 connection scheme

Classifications

eCl@ss

eCl@ss 4.0	27250300
eCl@ss 4.1	27250300
eCl@ss 5.0	27250300
eCl@ss 5.1	27250300
eCl@ss 6.0	27249200
eCl@ss 7.0	27249290
eCl@ss 8.0	27249290
eCl@ss 9.0	27242292

Front adapters - FLKM S135-460-4UAI/S400 - 2314613

Classifications

ETIM

ETIM 4.0	EC002584
ETIM 5.0	EC002584
ETIM 6.0	EC002584
ETIM 7.0	EC002584

UNSPSC

UNSPSC 6.01	30211824
UNSPSC 7.0901	39121421
UNSPSC 11	39121421
UNSPSC 12.01	39121421
UNSPSC 13.2	32151601
UNSPSC 18.0	32151601
UNSPSC 19.0	32151601
UNSPSC 20.0	32151601
UNSPSC 21.0	32151601

Approvals


Approvals

Approvals

EAC

Ex Approvals

Approval details

EAC		RU C- DE.A*30.B.01742
-----	---	--------------------------
