

Active module - UM 45-16RM/MR-G24/1/PLC - 2962913

Please be informed that the data shown in this PDF Document is generated from our Online Catalog. Please find the complete data in the user's documentation. Our General Terms of Use for Downloads are valid (<http://phoenixcontact.com/download>)




VARIOFACE COMPACT LINE, output module with 16 miniature relays, 1 N/O contact each, plugged, for 24 V DC (incl. relay)

Your advantages

- ✓ Low depth of just 45 mm
- ✓ Universal applications from 1 mA to 3 A continuous current thanks to 2-layer double contact with hard gold plating
- ✓ Freewheeling and polarity protection diode per signal path
- ✓ Universal applications from 1 mA to 3 A continuous current thanks to 2-layer double contact with hard gold plating
- ✓ Plug-in miniature relays each with an N/O contact



Key Commercial Data

Packing unit	1 pc
GTIN	 4 017918 087517
GTIN	4017918087517
Weight per Piece (excluding packing)	224.280 g
Custom tariff number	85364190
Country of origin	Germany
Note	Made to Order (non-returnable)

Technical data

Note

Utilization restriction	EMC: class A product, see manufacturer's declaration in the download area
-------------------------	---

Dimensions

Width	214 mm
Height	45 mm
Depth	50.5 mm

Ambient conditions

Active module - UM 45-16RM/MR-G24/1/PLC - 2962913

Technical data

Ambient conditions

Ambient temperature (operation)	-20 °C ... 50 °C
Ambient temperature (storage/transport)	-20 °C ... 70 °C
Degree of protection	IP00

Input data

Nominal input voltage U_N	24 V DC
Input voltage range in reference to U_N	0.8 ... 1.1
Typical input current at U_N	6.5 mA
Typical response time	5 ms
Typical release time	15 ms
Type of protection	Free-wheeling diode
Protective circuit/component	Damping diode
Type of protection	Reverse polarity protection
Protective circuit/component	Polarity protection diode
Operating voltage display	Green LED
Status display/channel	Yellow LED

Output data

Contact type	1 N/O contact
Contact material	AgNi, 5 µm hard gold-plated
Maximum switching voltage	250 V AC
	125 V DC
Minimum switching voltage	5 V
Limiting continuous current	3 A
Maximum inrush current	5 A
Min. switching current	1 mA
Interrupting rating (ohmic load) max.	72 W (24 V DC)
	60 W (48 V DC)
	50 W (60 V DC)
	50 W (110 V DC)
	750 VA (250 V AC)

General

No. of channels	16
	32
Compatible components	Miniature relay, REL-MR-G 24/1
With components	yes
Mechanical service life	2×10^7 cycles
Operating mode	100% operating factor
Mounting position	any
Assembly instructions	In rows with zero spacing
Color	green

Active module - UM 45-16RM/MR-G24/1/PLC - 2962913

Technical data

Connection data

Connection name	Controller level
Connection method	IDC/FLK pin strip
Number of connections	1
Number of positions	50
Pitch	2.54 mm

Connection data 2

Connection name	Field level
Connection method	Screw connection
Stripping length	8 mm
Screw thread	M3
Number of connections	36
Number of positions	3
Conductor cross section solid	0.14 mm ² ... 1.5 mm ²
Conductor cross section flexible	0.14 mm ² ... 1.5 mm ²
Conductor cross section AWG	26 ... 14

Connection data 3

Connection name	Supply
Connection method	Screw connection
Stripping length	6 mm
Screw thread	M3
Number of connections	2
Number of positions	2
Conductor cross section solid	0.14 mm ² ... 1.5 mm ²
Conductor cross section flexible	0.14 mm ² ... 1.5 mm ²
Conductor cross section AWG	26 ... 16

Connection data 4

Connection name	Connection for basic module
Connection method	IDC/FLK pin strip
Number of connections	1
Number of positions	20
Pitch	2.54 mm

Supported controller

Controller	SIEMENS S7-400
- suitable I/O card	6ES7 422-1BL00-0AA0
	6ES7 422-7BL00-0AB0
Controller	ALLEN-BRADLEY ControlLogix
- suitable I/O card	1756-OB32
Controller	ALLEN-BRADLEY PLC 5
- suitable I/O card	1771 OBN

Active module - UM 45-16RM/MR-G24/1/PLC - 2962913

Technical data

Supported controller

Controller	HONEYWELL Experion PKS C200
- suitable I/O card	TC-ODD 321
Controller	MITSUBISHI MELSEC L
- suitable I/O card	LY41PT1P
	LY42PT1P
Controller	MITSUBISHI MELSEC Q
- suitable I/O card	QY81P
	QY82P
Controller	Schneider Electric Modicon TSX QUANTUM
- suitable I/O card	DDO 353
Controller	SIEMENS S7-300 / ET 200 M
- suitable I/O card	6ES7 322-1BL00-0AA0
Controller	GE-FANUC RX3i
- suitable I/O card	IC694MDL754

Standards and Regulations

Standards/regulations	DIN EN 50178
	IEC 60664
Rated insulation voltage	260 V AC
Rated surge voltage	4 kV (basic insulation)
Pollution degree	2
Overvoltage category	III

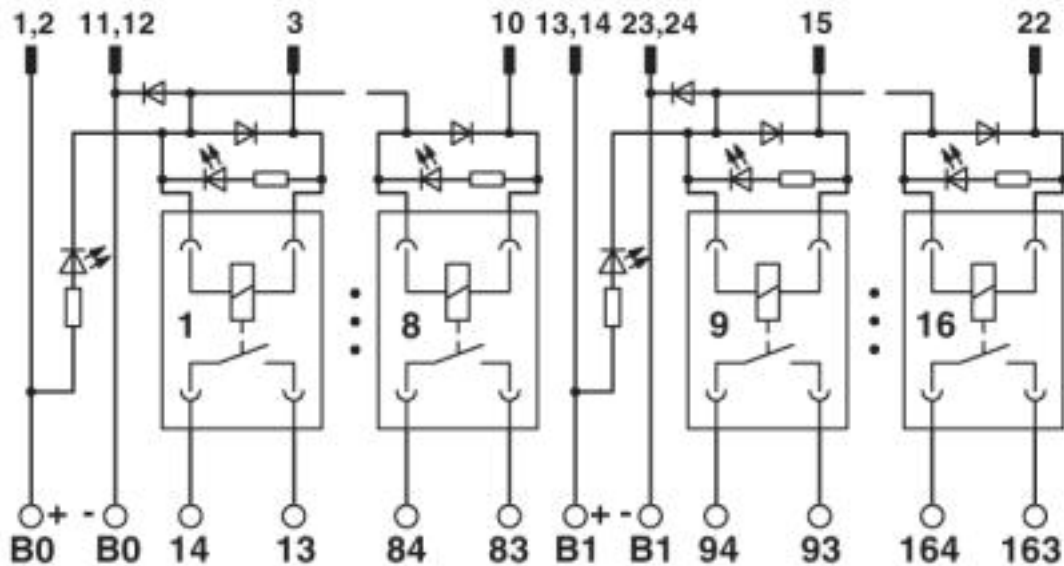
Environmental Product Compliance

REACH SVHC	Lead 7439-92-1
China RoHS	Environmentally Friendly Use Period = 50
	For details about hazardous substances go to tab "Downloads", Category "Manufacturer's declaration"

Drawings

Active module - UM 45-16RM/MR-G24/1/PLC - 2962913

Circuit diagram



Classifications

eCl@ss

eCl@ss 4.0	27371100
eCl@ss 4.1	27371100
eCl@ss 5.0	27371600
eCl@ss 5.1	27371600
eCl@ss 6.0	27371600
eCl@ss 7.0	27141152
eCl@ss 8.0	27141152
eCl@ss 9.0	27141152

ETIM

ETIM 5.0	EC002780
ETIM 6.0	EC002780
ETIM 7.0	EC002780

UNSPSC

UNSPSC 6.01	30211916
UNSPSC 7.0901	39121515
UNSPSC 11	39121515
UNSPSC 12.01	39121515
UNSPSC 13.2	39122334
UNSPSC 18.0	39121432
UNSPSC 19.0	39121432
UNSPSC 20.0	39121432
UNSPSC 21.0	39121432

Active module - UM 45-16RM/MR-G24/1/PLC - 2962913

Approvals

Approvals

Approvals

EAC

Ex Approvals

Approval details

EAC		RU C- DE.A*30.B.01742
-----	--	--------------------------

Accessories

Accessories

Single relay

Single relay - REL-MR-G 24/1 - 2961037



Pluggable replacement miniature relay, 1 N/O contact, input voltage 24 V DC

Additional products

Active module - UM 45-16RM/MR-G24/1/E/PLC - 2962926



VARIOFACE COMPACT LINE, output extension module with 16 miniature relays, 1 N/O contact each, plugged, for 24 V DC (incl. relay)
