

Active module - UM- 8RM/KSR-G24/21/MS/SI/PLC - 2900893

Please be informed that the data shown in this PDF Document is generated from our Online Catalog. Please find the complete data in the user's documentation. Our General Terms of Use for Downloads are valid (<http://phoenixcontact.com/download>)



VARIOFACE output module, with 8 miniature relays, 1 PDT with detectable manual operation and fuse each, plugged, for 24 V DC (incl. relay)

Your advantages

- ✓ Slim overall width of just 127 mm
- ✓ Polarity protection diode
- ✓ Supply voltage indicator (LED)
- ✓ LED status indicator and freewheeling diode per signal path
- ✓ Fuse per output circuit as short-circuit protection
- ✓ Plug-in miniature relays each with a PDT with or without detectable manual operation



Key Commercial Data

Packing unit	1 pc
GTIN	
GTIN	4046356545129
Weight per Piece (excluding packing)	435.000 g
Custom tariff number	85369010
Country of origin	Germany
Note	Made to Order (non-returnable)

Technical data

Note

Utilization restriction	EMC: class A product, see manufacturer's declaration in the download area
-------------------------	---

Dimensions

Width	127 mm
Height	112 mm
Depth	62 mm

Active module - UM- 8RM/KSR-G24/21/MS/SI/PLC - 2900893

Technical data

Ambient conditions

Ambient temperature (operation)	-20 °C ... 50 °C
Ambient temperature (storage/transport)	-20 °C ... 70 °C
Degree of protection	IP00

Input data

Nominal input voltage U_N	24 V DC
Input voltage range in reference to U_N	0.9 ... 1.1
Typical input current at U_N	18 mA
Typical response time	9 ms
Typical release time	6 ms
Type of protection	Free-wheeling diode (integrated in relay)
Operating voltage display	Green LED
Status display/channel	Yellow LED (integrated in relay)

Output data

Contact type	1 PDT
Contact material	AgNi
Maximum switching voltage	250 V AC/DC
Minimum switching voltage	12 V AC/DC
Limiting continuous current	3.9 A (observe derating)
Min. switching current	10 mA
Interrupting rating (ohmic load) max.	93 W (24 V DC)
	62 W (48 V DC)
	42 W (60 V DC)
	55 W (110 V DC)
	66 W (220 V DC)
	975 VA (250 V AC)
Output fuse	4 A 5x20 fuse (slow-blow)
Fuse	5x20 fuse

General

No. of channels	8
With components	yes
Mechanical service life	5x 10 ⁶ cycles
Operating mode	100% operating factor
Mounting position	any
Assembly instructions	In rows with zero spacing
Color	green

Connection data

Connection name	Controller level
Connection method	IDC/FLK pin strip
Number of connections	1

Active module - UM- 8RM/KSR-G24/21/MS/SI/PLC - 2900893

Technical data

Connection data

Number of positions	14
Pitch	2.54 mm

Connection data 2

Connection name	Field level
Connection method	Screw connection
Stripping length	8 mm
Screw thread	M3
Conductor cross section solid	0.2 mm ² ... 4 mm ²
Conductor cross section flexible	0.2 mm ² ... 2.5 mm ²
Conductor cross section AWG	24 ... 12

Connection data 3

Connection name	Supply
Connection method	Screw connection
Stripping length	8 mm
Screw thread	M3
Number of connections	2
Conductor cross section solid	0.2 mm ² ... 4 mm ²
Conductor cross section flexible	0.2 mm ² ... 2.5 mm ²
Conductor cross section AWG	24 ... 12

Supported controller

Controller	MITSUBISHI MELSEC Q
- suitable I/O card	QY82P
Controller	MITSUBISHI MELSEC L
- suitable I/O card	LY41PT1P
	LY42PT1P

Standards and Regulations

Designation	Air and creepage distances, output/output
Standards/regulations	DIN EN 50178
	IEC 60664
Rated insulation voltage	260 V AC
Rated surge voltage	4 kV (Basic insulation between output contact current paths)
	6 kV (Safe isolation and reinforced insulation between input circuit and output contact paths)
Pollution degree	2
Overvoltage category	III

Environmental Product Compliance

REACH SVHC	Lead 7439-92-1
China RoHS	Environmentally Friendly Use Period = 50

Active module - UM- 8RM/KSR-G24/21/MS/SI/PLC - 2900893

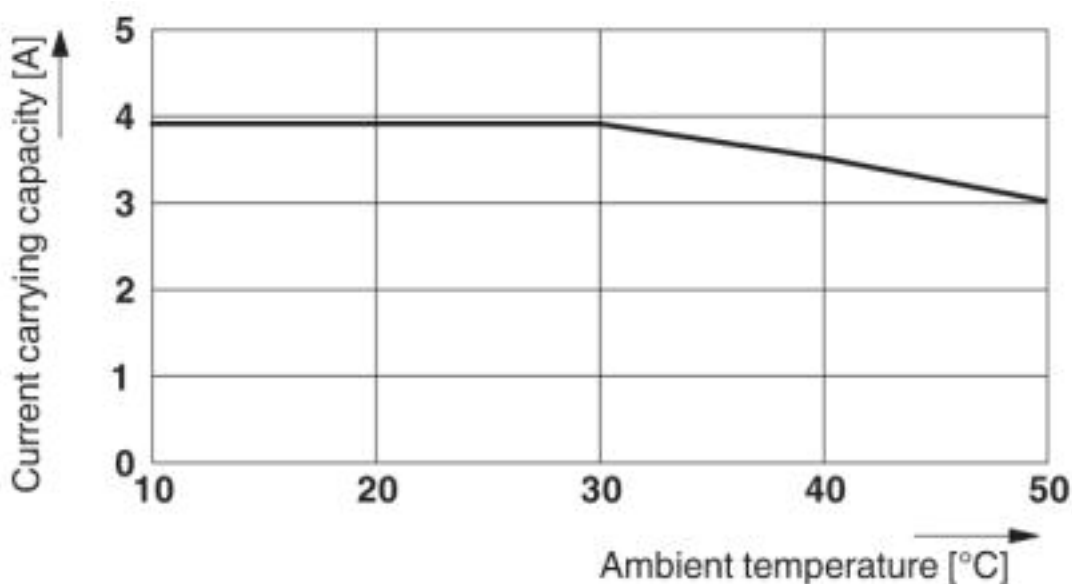
Technical data

Environmental Product Compliance

For details about hazardous substances go to tab "Downloads", Category "Manufacturer's declaration"

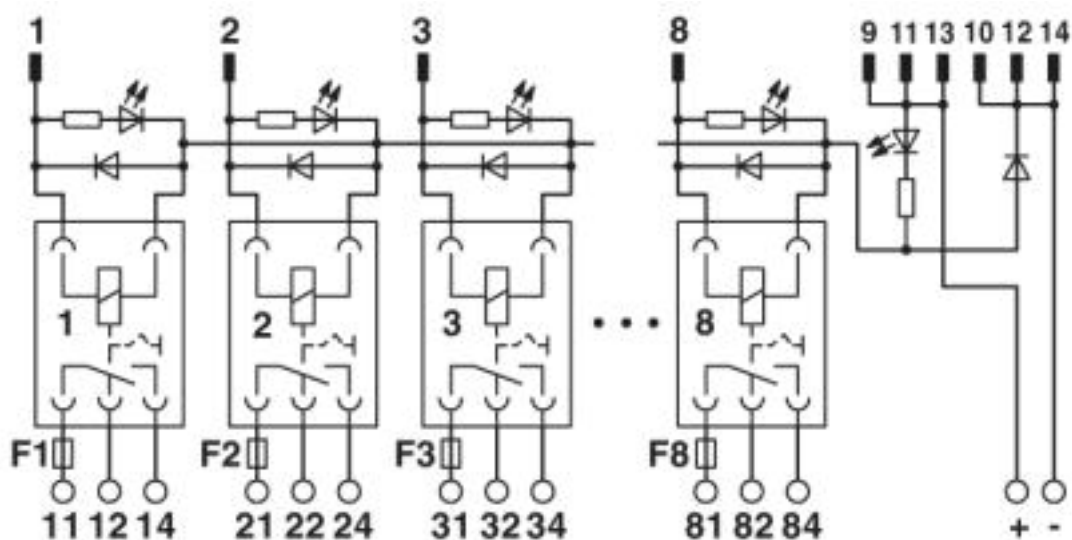
Drawings

Diagram



Derating curve for limiting continuous current

Circuit diagram



Active module - UM- 8RM/KSR-G24/21/MS/SI/PLC - 2900893

Classifications

eCl@ss

eCl@ss 4.0	27371100
eCl@ss 4.1	27371100
eCl@ss 5.0	27371000
eCl@ss 5.1	27371000
eCl@ss 6.0	27371000
eCl@ss 7.0	27141152
eCl@ss 8.0	27141152
eCl@ss 9.0	27141152

ETIM

ETIM 5.0	EC002780
ETIM 6.0	EC002780
ETIM 7.0	EC002780

UNSPSC

UNSPSC 6.01	30211916
UNSPSC 7.0901	39121515
UNSPSC 11	39121515
UNSPSC 12.01	39121515
UNSPSC 13.2	39121432
UNSPSC 18.0	39121432
UNSPSC 19.0	39121432
UNSPSC 20.0	39121432
UNSPSC 21.0	39121432

Approvals

Approvals

Approvals

EAC

Ex Approvals

Approval details

EAC		RU C- DE.A*30.B.01742
-----	--	--------------------------

Active module - UM- 8RM/KSR-G24/21/MS/SI/PLC - 2900893

Accessories

Accessories

Retaining bracket

Retaining bracket - SIM-ERSN-HB-KSR/MET - 2271497

Retainer, for miniature switching relays or miniature optocouplers



Single relay

Single relay - REL-MR- 24DC/21HC/MS - 2987888



Plug-in miniature relay, with power contact, 1 PDT, test button, mechanical switch position indicator, status LED, freewheeling diode, polarity A1+, A2-, input voltage 24 V DC