

Active module - UMK-16 RM/KSR-G 24/21/PLC - 2979498

Please be informed that the data shown in this PDF Document is generated from our Online Catalog. Please find the complete data in the user's documentation. Our General Terms of Use for Downloads are valid (<http://phoenixcontact.com/download>)




VARIOFACE output module, with 16 miniature relays, 1 PDT each, plugged, for 24 V DC (basic module, including relays)

Your advantages

- LED status indicator per signal path and supply voltage
- Freewheeling and polarity protection diode for each signal path
- Plug-in miniature relays each with a PDT contact



Key Commercial Data

Packing unit	1 pc
GTIN	 4 017918 130343
GTIN	4017918130343
Weight per Piece (excluding packing)	580.000 g
Custom tariff number	85364190
Country of origin	Germany
Note	Made to Order (non-returnable)

Technical data

Note

Utilization restriction	EMC: class A product, see manufacturer's declaration in the download area
-------------------------	---

Dimensions

Width	259 mm
Height	77 mm
Depth	59 mm

Ambient conditions

Ambient temperature (operation)	-20 °C ... 50 °C
Ambient temperature (storage/transport)	-20 °C ... 70 °C

Active module - UMK-16 RM/KSR-G 24/21/PLC - 2979498

Technical data

Ambient conditions

Degree of protection	IP00
----------------------	------

Input data

Nominal input voltage U_N	24 V DC
Input voltage range in reference to U_N	0.9 ... 1.1
Type of protection	Free-wheeling diode
Protective circuit/component	Damping diode
Type of protection	Reverse polarity protection
Protective circuit/component	Polarity protection diode
Operating voltage display	Green LED
Status display/channel	Yellow LED

Output data

Contact type	1 PDT
Maximum switching voltage	250 V AC/DC
Limiting continuous current	5 A
Min. switching current	10 mA
Interrupting rating (ohmic load) max.	120 W (24 V DC, $\tau = 0$ ms)
	58 W (48 V DC, $\tau = 0$ ms)
	48 W (60 V, $\tau = 0$ ms)
	50 W (110 V DC, $\tau = 0$ ms)
	80 W (220 V DC, $\tau = 0$ ms)
	1250 VA (250 V AC, $\tau = 0$ ms)

General

No. of channels	16
	32
Compatible components	Miniature relay, REL-MR- 24DC/21HC
With components	yes
Mechanical service life	3×10^7 cycles
Operating mode	100% operating factor
Mounting position	any
Assembly instructions	In rows with zero spacing
Color	green

Connection data

Connection name	Controller level
Connection method	IDC/FLK pin strip
Number of connections	1
Number of positions	50
Pitch	2.54 mm

Connection data 2

Active module - UMK-16 RM/KSR-G 24/21/PLC - 2979498

Technical data

Connection data 2

Connection name	Field level
Connection method	Screw connection
Stripping length	8 mm
Screw thread	M3
Number of connections	48
Conductor cross section solid	0.2 mm ² ... 4 mm ²
Conductor cross section flexible	0.2 mm ² ... 2.5 mm ²
Conductor cross section AWG	24 ... 12

Connection data 3

Connection name	Supply
Connection method	Screw connection
Stripping length	8 mm
Screw thread	M3
Number of connections	4
Conductor cross section solid	0.2 mm ² ... 4 mm ²
Conductor cross section flexible	0.2 mm ² ... 2.5 mm ²
Conductor cross section AWG	24 ... 12

Supported controller

Controller	SIEMENS S7-1500
- suitable I/O card	6ES7 522-1BL00-0AB0
	6ES7 522-1BL01-0AB0
Controller	SIEMENS S7-400
- suitable I/O card	6ES7 422-1BL00-0AA0
	6ES7 422-7BL00-0AB0
Controller	ALLEN-BRADLEY PLC 5
- suitable I/O card	1771 OBN
Controller	Emerson DeltaV
- suitable I/O card	VE4002S1T2B6
Controller	GE-FANUC RX3i
- suitable I/O card	IC694MDL754
Controller	HONEYWELL Experion PKS C200
- suitable I/O card	TC-ODD 321
Controller	MITSUBISHI MELSEC L
- suitable I/O card	LY41PT1P
	LY42PT1P
	QY82P
Controller	MITSUBISHI MELSEC Q
- suitable I/O card	QY81P
Controller	Schneider Electric Modicon TSX QUANTUM
- suitable I/O card	DDO 353

Active module - UMK-16 RM/KSR-G 24/21/PLC - 2979498

Technical data

Supported controller

Controller	SIEMENS S7-300 / ET 200 M
- suitable I/O card	6ES7 322-1BL00-0AA0

Standards and Regulations

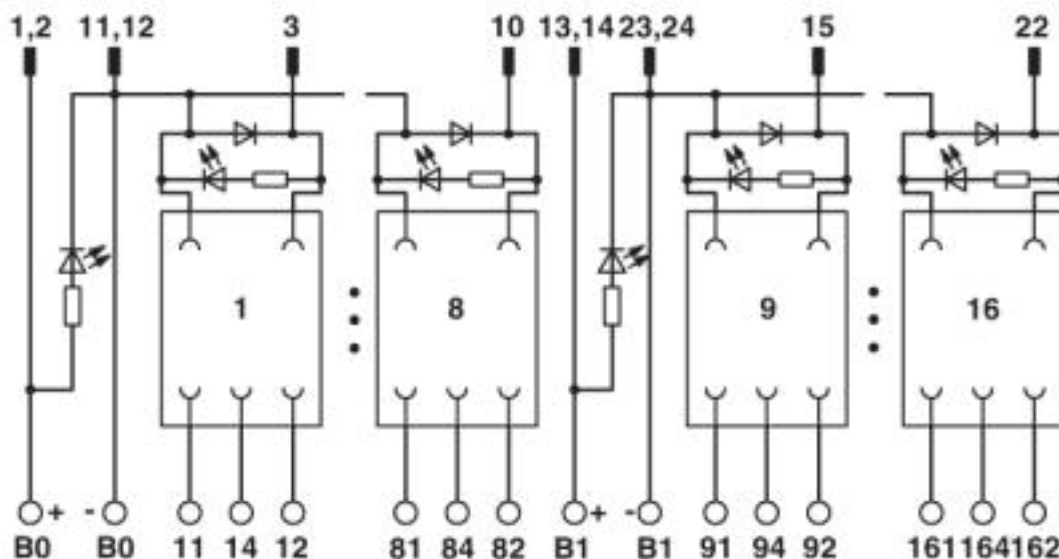
Standards/regulations	DIN EN 50178
	IEC 60664
Rated insulation voltage	260 V AC
Rated surge voltage	4 kV (Basic insulation between output contact current paths)
	6 kV (Safe isolation and reinforced insulation between input circuit and output contact paths)
Pollution degree	2
Overvoltage category	III

Environmental Product Compliance

REACH SVHC	Lead 7439-92-1
China RoHS	Environmentally Friendly Use Period = 50
	For details about hazardous substances go to tab "Downloads", Category "Manufacturer's declaration"

Drawings

Circuit diagram



Classifications

eCl@ss

eCl@ss 4.0	27371100
eCl@ss 4.1	27371100

Active module - UMK-16 RM/KSR-G 24/21/PLC - 2979498

Classifications

eCl@ss

eCl@ss 5.0	27371000
eCl@ss 5.1	27371000
eCl@ss 6.0	27371000
eCl@ss 7.0	27141152
eCl@ss 8.0	27141152
eCl@ss 9.0	27141152

ETIM

ETIM 5.0	EC002780
ETIM 6.0	EC002780
ETIM 7.0	EC002780

UNSPSC

UNSPSC 6.01	30211916
UNSPSC 7.0901	39121515
UNSPSC 11	39121515
UNSPSC 12.01	39121515
UNSPSC 13.2	39121432
UNSPSC 18.0	39121432
UNSPSC 19.0	39121432
UNSPSC 20.0	39121432
UNSPSC 21.0	39121432

Approvals

Approvals

Approvals

UL Listed / cUL Listed / EAC / cULus Listed

Ex Approvals

Approval details

UL Listed		http://database.ul.com/cgi-bin/XYV/template/LISEXT/1FRAME/index.htm	FILE E 238705
-----------	--	---	---------------

Active module - UMK-16 RM/KSR-G 24/21/PLC - 2979498

Approvals

cUL Listed		http://database.ul.com/cgi-bin/XYV/template/LISEXT/1FRAME/index.htm	FILE E 238705
------------	--	---	---------------

EAC		RU C- DE.A*30.B.01742
-----	--	--------------------------

cULus Listed	
--------------	--

Accessories

Accessories

Retaining bracket

Retaining bracket - SIM-ERSN-HB-MR - 2271471



Retainer, for miniature relay

Single relay

Single relay - REL-MR- 24DC/21HC - 2961312



Plug-in miniature power relay, with power contact for high continuous currents, 1 PDT, input voltage 24 V DC

Additional products

Active module - UMK-16 RM/KSR-G 24/21/E/PLC - 2979508



VARIOFACE output extension module, with 16 miniature relays, 1 PDT each, plugged, for 24 V DC (including relays)

