

Surge protection device - D-LAN-CAT.5-FP - 2800723

Please be informed that the data shown in this PDF Document is generated from our Online Catalog. Please find the complete data in the user's documentation. Our General Terms of Use for Downloads are valid (<http://phoenixcontact.com/download>)



Fine surge protection for data networks up to 1 Gbps. For use in Ethernet, Power over Ethernet (PoE, mode A and mode B), token ring, ISDN, and DS1. RJ45 attachment plug with separate grounding cable and snap-on foot for NS 35 DIN rails.

Your advantages

- ✓ Reliable transmission speeds up to 1 Gbps
- ✓ Protective adapter for eight signal paths via RJ45 connector
- ✓ Category 5 and category 6 data networks



Key Commercial Data

Packing unit	1 pc
GTIN	 4 046356 730273
GTIN	4046356730273
Weight per Piece (excluding packing)	90.000 g
Custom tariff number	85363010
Country of origin	China

Technical data

Dimensions

Height	110 mm
Width	28 mm
Depth	60 mm (incl. NS 35 adapter)

Ambient conditions

Ambient temperature (operation)	-40 °C ... 85 °C
Degree of protection	IP20

General

Housing material	ABS
Flammability rating according to UL 94	V0

Surge protection device - D-LAN-CAT.5-FP - 2800723

Technical data

General

Color	gray
Standards for clearances and creepage distances	IEC 60664
Mounting type	Connection-specific attachment plug and DIN rail, 35 mm
Type	Attachment plug for DIN rail mounting
Number of positions	8
Direction of action	Line-Line & Line-Ground/Shield

Protective circuit

IEC test classification	B2
	C1
VDE requirement class	B2
	C1
Maximum continuous voltage U_C	± 48 V DC
Maximum continuous voltage U_C (wire-wire)	± 5 V DC (± 57 V DC / PoE+)
Nominal current I_N	≤ 1.5 A (25 °C)
Operating effective current I_C at U_C	≤ 600 μ A
Nominal discharge current I_n (8/20) μ s (line-line)	350 A
Nominal discharge current I_n (8/20) μ s (line-earth)	350 A
Nominal pulse current I_{an} (10/700) μ s (line-line)	≤ 25 A
Nominal pulse current I_{an} (10/700) μ s (line-earth)	≤ 25 A
Output voltage limitation at 1 kV/ μ s (line-line) spike	≤ 25 V
	≤ 90 V (PoE)
Output voltage limitation at 1 kV/ μ s (line-earth) spike	≤ 750 V
Output voltage limitation at 1 kV/ μ s (line-line) static	≤ 25 V
Output voltage limitation at 1 kV/ μ s (line-earth) static	≤ 750 V
Residual voltage at I_n (line-line)	≤ 35 V (C1 - 350 A)
	≤ 110 V (C1 - 350 A)
Residual voltage at I_n (line-earth)	≤ 700 V (C1 - 350 A)
Voltage protection level U_p (line-line)	≤ 20 V (B2 - 1 kV / 25 A)
	≤ 90 V (B2 - 1 kV / 25 A - PoE)
	≤ 35 V (C1 - 700 V/350 A)
	≤ 110 V (C1 - 700 V/350 A - PoE)
Voltage protection level U_p (line-earth)	≤ 700 V (B2 - 1 kV / 25 A)
	≤ 700 V (C1 - 700 V/350 A)
Response time t_A (line-line)	≤ 1 ns
Response time t_A (line-earth)	≤ 100 ns
Input attenuation aE, sym.	≤ 1 dB (100 MHz/100 Ω)
Near-end crosstalk attenuation	≤ 63.3 dB (1 MHz/100 Ω)
	≤ 43.6 dB (16 MHz/100 Ω)
	≤ 30.1 dB (100 MHz/100 Ω)
Cut-off frequency f_g (3 dB), sym. in 100 Ohm system	250 MHz

Surge protection device - D-LAN-CAT.5-FP - 2800723

Technical data

Protective circuit

Capacity (line-line)	typ. 15 pF (f= 1 MHz / VR= 0 V)
Capacity (line-earth)	typ. 5 pF (f= 1 MHz / VR= 0 V)
Impulse durability (line-line)	B2 - 1 kV / 25 A
	C1 - 700 V / 350 A
Impulse durability (line-earth)	B2 - 1 kV/25 A
	C1 - 700 V/350 A

Connection data

Connection method	RJ45
Connection method IN	RJ45 socket
Connection method OUT	RJ45 socket

Connection, equipotential bonding

Connection method	Cable connection
-------------------	------------------

Standards and Regulations

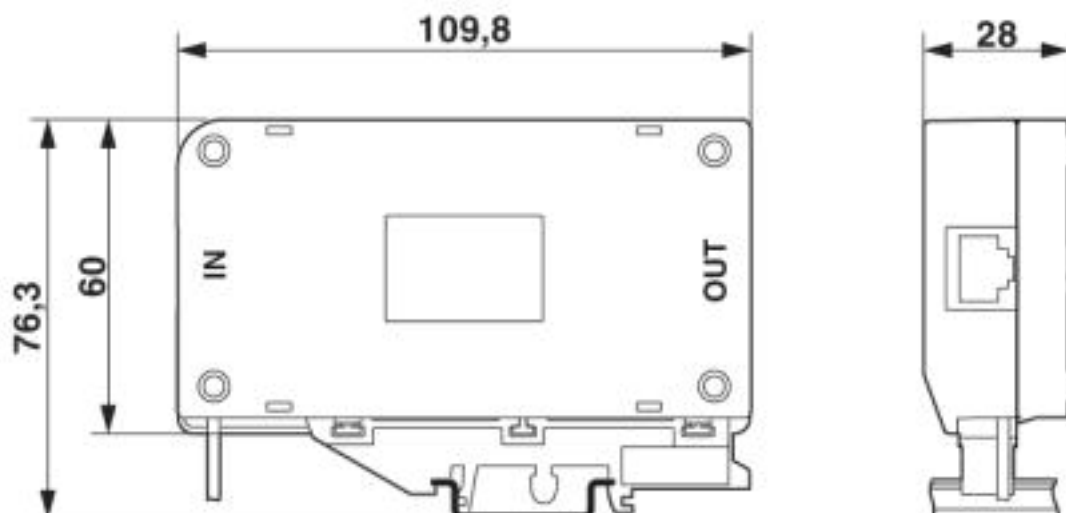
Standards/specifications	IEC 61643-21/A1 2008
	GB/T 18802.21 2004
	EN 61643-21/A1 2009

Environmental Product Compliance

REACH SVHC	Lead 7439-92-1
------------	----------------

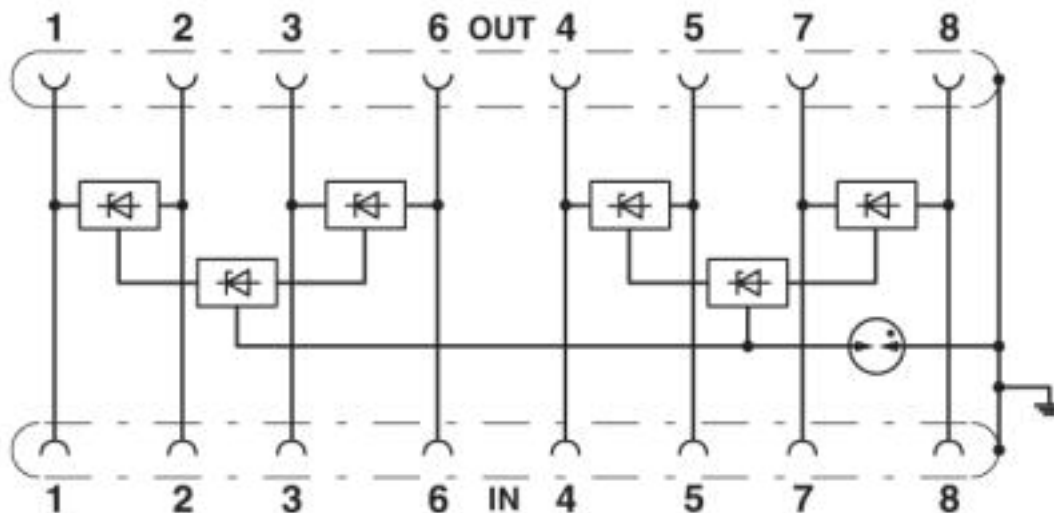
Drawings

Dimensional drawing



Surge protection device - D-LAN-CAT.5-FP - 2800723

Circuit diagram



Classifications

eCl@ss

eCl@ss 4.0	27130800
eCl@ss 4.1	27130800
eCl@ss 5.0	27130800
eCl@ss 5.1	27130800
eCl@ss 6.0	27130800
eCl@ss 7.0	27130807
eCl@ss 8.0	27130807
eCl@ss 9.0	27130807

ETIM

ETIM 3.0	EC000943
ETIM 4.0	EC000943
ETIM 5.0	EC000943
ETIM 6.0	EC000943
ETIM 7.0	EC000943

UNSPSC

UNSPSC 6.01	30212010
UNSPSC 7.0901	39121610
UNSPSC 11	39121610
UNSPSC 12.01	39121610
UNSPSC 13.2	39121620
UNSPSC 18.0	39121620
UNSPSC 19.0	39121620
UNSPSC 20.0	39121620

Surge protection device - D-LAN-CAT.5-FP - 2800723

Classifications

UNSPSC

UNSPSC 21.0	39121620
-------------	----------

Approvals

Approvals

Approvals

UL Listed / EAC / EAC

Ex Approvals

Approval details

UL Listed		http://database.ul.com/cgi-bin/XYV/template/LISEXT/1FRAME/index.htm	FILE E 138168
-----------	--	---	---------------

EAC		EAC-Zulassung
-----	--	---------------

EAC		RU C-DE.A*30.B01561
-----	--	---------------------

Accessories

Accessories

Patch cable

Patch cable - FL CAT6 PATCH 0,5 - 2891288



Patch cable, CAT6, pre-assembled, 0.5 m

Surge protection device - D-LAN-CAT.5-FP - 2800723

Accessories

Patch cable - FL CAT6 PATCH 1,0 - 2891385



Patch cable, CAT6, pre-assembled, 1.0 m

Patch cable - FL CAT6 PATCH 2,0 - 2891589



Patch cable, CAT6, pre-assembled, 2.0 m
