

Ring cable lug - C-RCEI 6/M5 - 3241211

Please be informed that the data shown in this PDF Document is generated from our Online Catalog. Please find the complete data in the user's documentation. Our General Terms of Use for Downloads are valid (<http://phoenixcontact.com/download>)




Ring cable lug, yellow, 4 ... 6 mm², M5, with copper sleeve incorporated, for insulation crimp

Your advantages

- ✓ The sleeves are conically tapered to facilitate easy and correct insertion of the conductor
- ✓ The mechanical load capacity of the connection is significantly increased by the additionally applied copper sleeve (insulation crimp).

Key Commercial Data

Packing unit	100 pc
Minimum order quantity	100 pc
GTIN	 4 046356 826167
GTIN	4046356826167
Weight per Piece (excluding packing)	2.180 g
Custom tariff number	85369010
Country of origin	Taiwan

Technical data

Dimensions

Length (b)	26 mm
Width (a)	9.5 mm
Length of insulation sleeve (c)	13 mm
Inner dimension of the insulating collar (d)	6.5 mm
Distance between the center and the insulation sleeve (e)	8.3 mm
Inner diameter (f)	5.3 mm
Material thickness (g)	1 mm

Ambient conditions

Ambient temperature (operation)	-20 °C ... 105 °C
Ambient temperature (assembly)	-20 °C ... 100 °C

Ring cable lug - C-RCEI 6/M5 - 3241211

Technical data

Ambient conditions

Optimum ambient temperature (storage/transport)	20 °C 50 % Humidity (RH), store inside sealed original packaging. Avoid direct sunlight and heat.
Short-term temperature	100 °C

General

Color	yellow
Components	halogen-free
Flammability rating according to UL 94	V2
Material	Copper
Insulating material	PA
Coating	tin-plated

Standards and Regulations

Flammability rating according to UL 94	V2
--	----

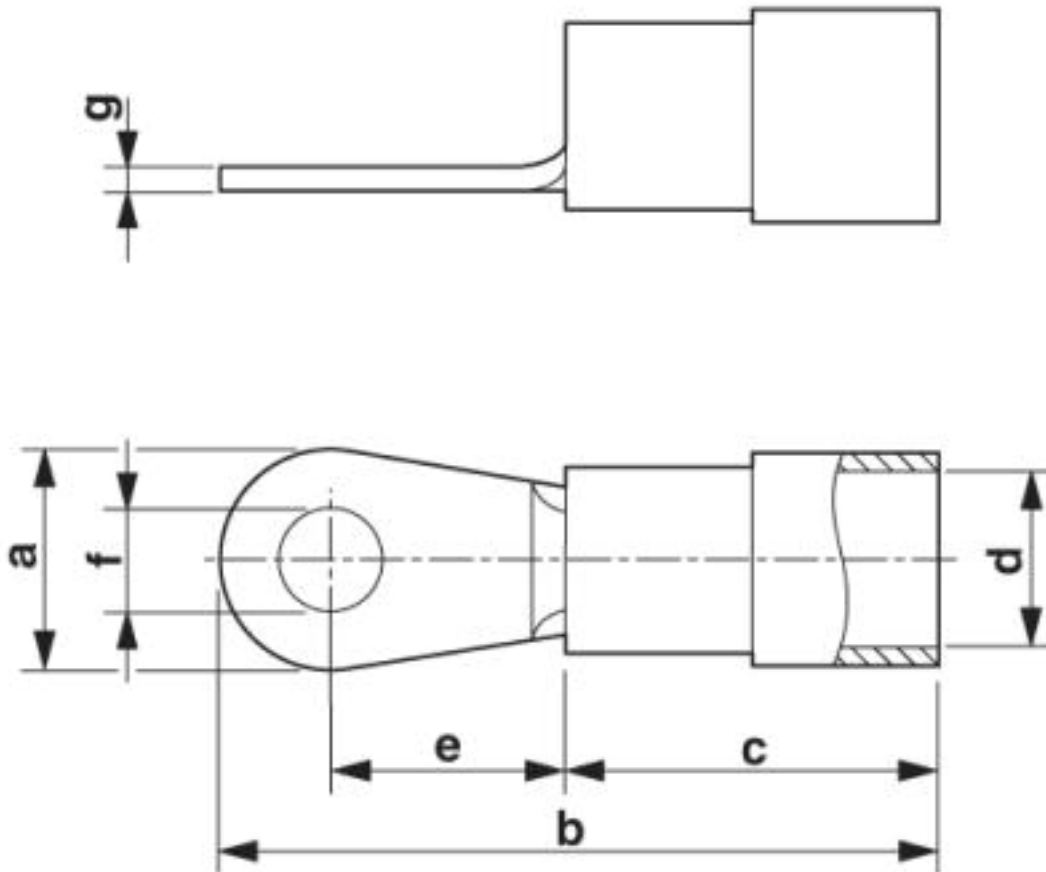
Environmental Product Compliance

China RoHS	Environmentally friendly use period: unlimited = EFUP-e
	No hazardous substances above threshold values

Drawings

Ring cable lug - C-RCEI 6/M5 - 3241211

Dimensional drawing



Classifications

eCl@ss

eCl@ss 4.0	27060700
eCl@ss 4.1	27060700
eCl@ss 5.0	27400200
eCl@ss 5.1	27400200
eCl@ss 6.0	27400200
eCl@ss 7.0	27400204
eCl@ss 8.0	27400204
eCl@ss 9.0	27400204

ETIM

ETIM 3.0	EC000005
ETIM 4.0	EC001052
ETIM 5.0	EC001052
ETIM 6.0	EC001052
ETIM 7.0	EC001052

Ring cable lug - C-RCEI 6/M5 - 3241211

Classifications

UNSPSC

UNSPSC 6.01	30212109
UNSPSC 7.0901	27121703
UNSPSC 11	27121703
UNSPSC 12.01	27121703
UNSPSC 13.2	27121707
UNSPSC 18.0	27121707
UNSPSC 19.0	27121707
UNSPSC 20.0	27121707
UNSPSC 21.0	27121707

Approvals

Approvals

Approvals

EAC

Ex Approvals

Approval details

EAC		EAC-Zulassung
-----	---	---------------
