

## Current transformer - PACT MCR-V1-21-44-250-5A-1 - 2277048


Please be informed that the data shown in this PDF Document is generated from our Online Catalog. Please find the complete data in the user's documentation. Our General Terms of Use for Downloads are valid (<http://phoenixcontact.com/download>)



Bus-bar current transformer, 250 A AC primary current; 5 A AC secondary current; accuracy class 1; 5 VA rated power

RoHS

### Key Commercial Data

Packing unit	1 pc
GTIN	 4 046356 305105
GTIN	4046356305105
Weight per Piece (excluding packing)	198.600 g
Custom tariff number	85043129
Country of origin	Germany

### Technical data

#### Dimensions

Width	30 mm
Width with alternative assembly	44 mm
Height	66 mm
Height with alternative assembly	66 mm
Depth	44 mm
Depth with alternative assembly	30 mm
Primary round conductor (diameter)	21 mm

#### Ambient conditions

Ambient temperature (operation)	-25 °C ... 40 °C
Ambient temperature (storage/transport)	-25 °C ... 40 °C
Maximum altitude	≤ 1000 m
Permissible humidity (operation)	Use only indoors, non-condensing

#### General

Converter type	Tube rod converter
----------------	--------------------

# Current transformer - PACT MCR-V1-21-44-250-5A-1 - 2277048

## Technical data

### General

Accuracy class	1
Can be calibrated	no
Color	black
Housing material	PA 6.6

### Input data

Thermal rated short-time current	$I_{th} = 60 * I_n$
Thermal rated continuous current	$I_d = 1.2 * I_n$
Rated surge current	$I_{dyn} = 2.5 * I_{th}$
Rated frequency: Standard converter	50 Hz ... 60 Hz
Rated frequency: Calibrated converter	50 Hz
Surge current limitation factor	FS 5
Rated power	5 VA
Primary rated current $I_{pn}$	0 A ... 250 A
Secondary rated current $I_{sn}$	5 A AC

### Connection data

Connection method	Screw connection
Conductor cross section flexible	2x 2.5 mm <sup>2</sup> ... 4 mm <sup>2</sup> ()

### Standards and Regulations

Standards/regulations	EN 50178
	EN 61869
Rated insulation voltage	1 kV (Phase/neutral conductor)
UL, USA/Canada	XODW8.E323953

### Conformance/approvals

Designation	UL, USA/Canada
Identification	XODW8.E323953

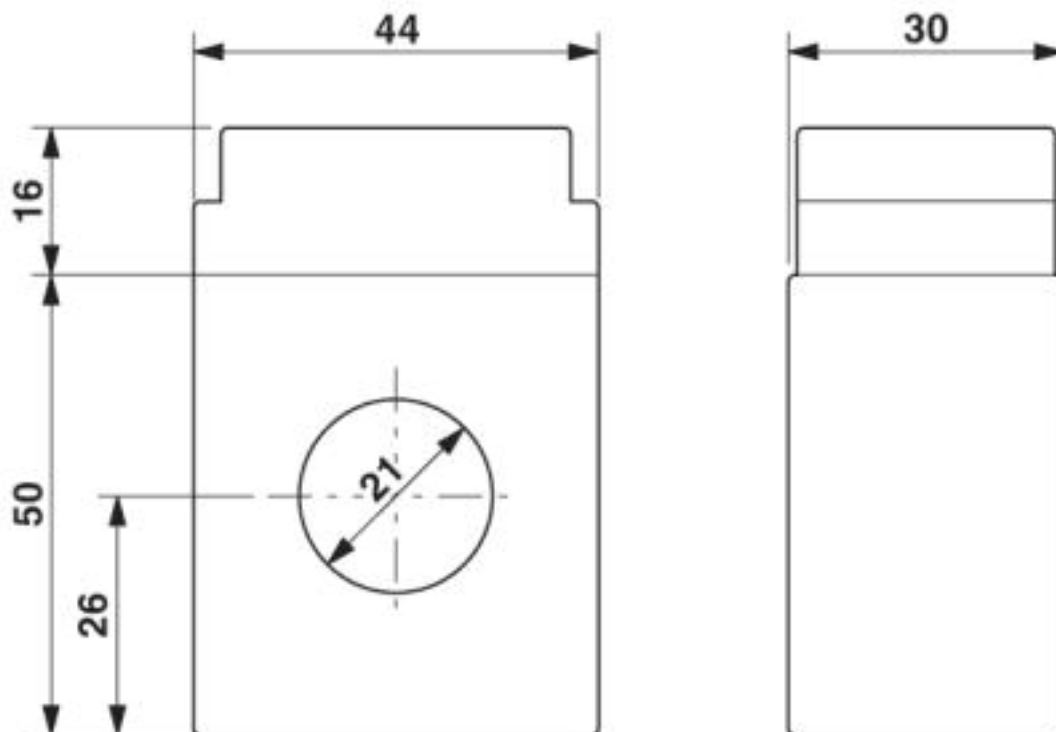
### Environmental Product Compliance

China RoHS	Environmentally Friendly Use Period = 50
	For details about hazardous substances go to tab "Downloads", Category "Manufacturer's declaration"

## Drawings

# Current transformer - PACT MCR-V1-21-44-250-5A-1 - 2277048

Dimensional drawing



## Classifications

### eCl@ss

eCl@ss 4.0	27210900
eCl@ss 4.1	27210900
eCl@ss 5.0	27210900
eCl@ss 5.1	27210900
eCl@ss 6.0	27210900
eCl@ss 7.0	27210902
eCl@ss 8.0	27210902
eCl@ss 9.0	27210902

### ETIM

ETIM 3.0	EC002048
ETIM 4.0	EC002048
ETIM 5.0	EC002048
ETIM 6.0	EC002048
ETIM 7.0	EC002048

### UNSPSC

UNSPSC 6.01	30211501
UNSPSC 7.0901	39121019

# Current transformer - PACT MCR-V1-21-44-250-5A-1 - 2277048

## Classifications

### UNSPSC

UNSPSC 11	39121006
UNSPSC 12.01	39121006
UNSPSC 13.2	39121032
UNSPSC 18.0	39121032
UNSPSC 19.0	39121032
UNSPSC 20.0	39121032
UNSPSC 21.0	39121032

## Approvals

### Approvals

---

Approvals

EAC

---

Ex Approvals

---

### Approval details

EAC		RU C- DE.A*30.B.01082
-----	---	--------------------------

---