

Solid-state relays - ST-OV3- 24DC/400AC/3 - 2905417

Please be informed that the data shown in this PDF Document is generated from our Online Catalog. Please find the complete data in the user's documentation. Our General Terms of Use for Downloads are valid (<http://phoenixcontact.com/download>)



Plug-in power solid-state relay, input: 24 V DC, output: 24 - 420 V AC/max. 3 A


The figure shows version ST-OV 3-5 DC/240 AC/3

Your advantages

- Pluggable
- Control of 230 V motors in simple reversing mode (e.g., synchronous motor in single-phase mode, see illustration)
- Switching of up to 400 V AC/3 A



Key Commercial Data

Packing unit	10 pc
GTIN	 4 017918 079406
GTIN	4017918079406
Weight per Piece (excluding packing)	58.800 g
Custom tariff number	85364190
Country of origin	Germany

Technical data

Dimensions

Width	20.8 mm
Height	42.5 mm
Depth	112 mm

Ambient conditions

Ambient temperature (operation)	0 °C ... 60 °C
Ambient temperature (storage/transport)	0 °C ... 70 °C

Input data

Nominal input voltage U_N	24 V DC
-----------------------------	---------

Solid-state relays - ST-OV3- 24DC/400AC/3 - 2905417

Technical data

Input data

Input voltage range in reference to U_N	0.9 ... 1.1
Input voltage range	21.6 V DC ... 26.4 V DC
Switching threshold "0" signal in reference to U_N	≤ 0.4
Switching threshold "1" signal in reference to U_N	≥ 0.8
Typical input current at U_N	7 mA
Operating voltage display	Yellow LED
Type of protection	Reverse polarity protection
	RC element
Protective circuit/component	RC element
Transmission frequency	10 Hz
Power dissipation for nominal condition	0.17 W

Output data

Output nominal voltage	400 V AC
Output voltage range	24 V AC ... 420 V AC
Limiting continuous current	3 A (see derating curve)
Maximum inrush current	125 A (t = 10 ms)
Min. load current	50 mA
Leakage current	approx. 12 mA
Surge current	125 A (t = 10 ms)
Peak offstate voltage	800 V (Periodic peak reverse voltage)
Voltage drop at max. limiting continuous current	≤ 1.2 V
Type of protection	Surge protection
	RC element
Protective circuit/component	Varistor
	RC element

General

Test voltage input/output	2.5 kV AC
	2.5 kV AC
Mounting position	Horizontal DIN rail

Standards and Regulations

Standards/regulations	IEC 60664
	EN 50178
Insulation	Basic insulation
Pollution degree	2
Overvoltage category	III

Environmental Product Compliance

	Lead 7439-92-1
China RoHS	Environmentally Friendly Use Period = 50

Solid-state relays - ST-OV3- 24DC/400AC/3 - 2905417

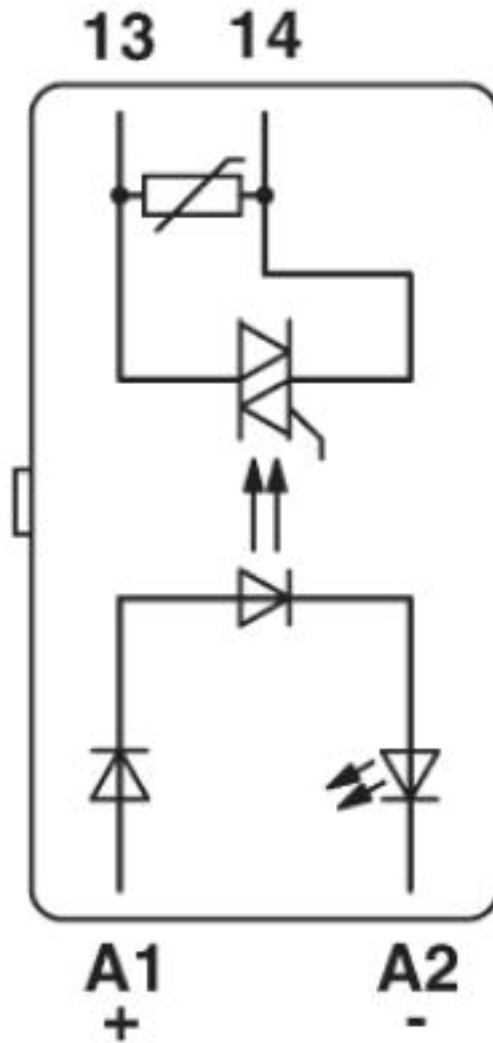
Technical data

Environmental Product Compliance

	For details about hazardous substances go to tab "Downloads", Category "Manufacturer's declaration"
--	---

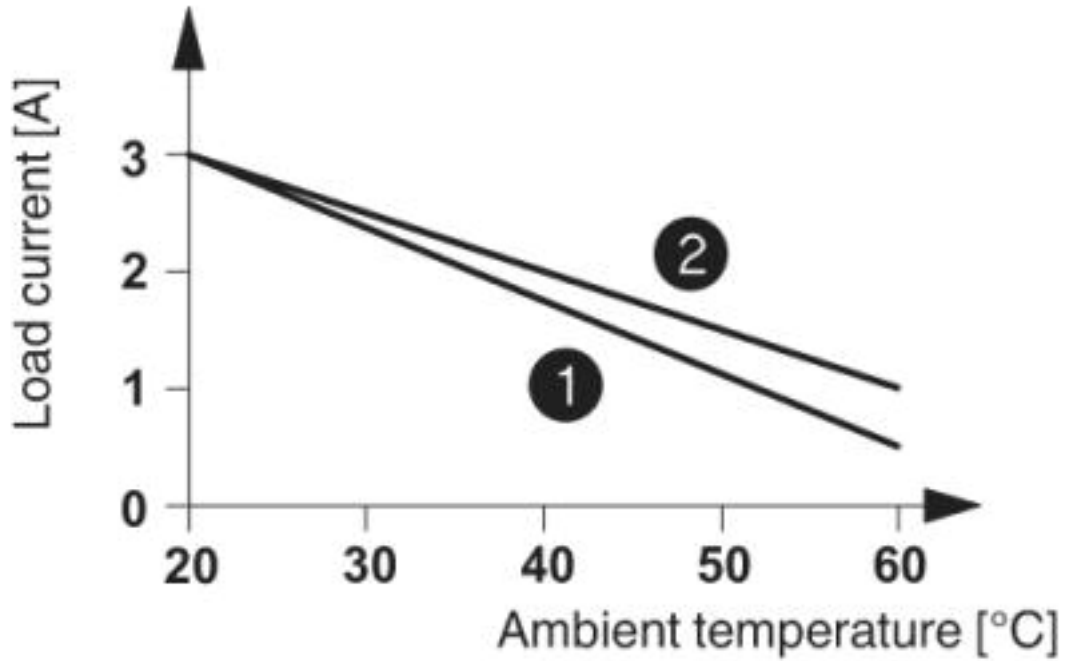
Drawings

Circuit diagram



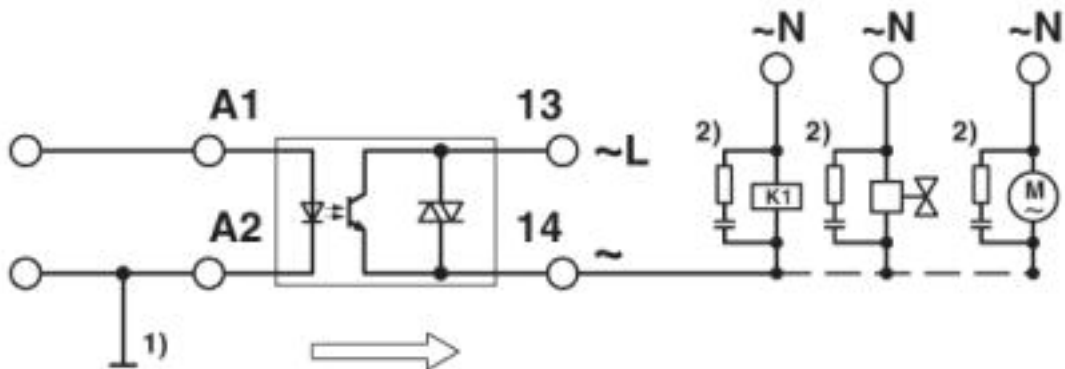
Solid-state relays - ST-OV3- 24DC/400AC/3 - 2905417

Diagram



- 1** In rows with zero spacing
- 2** stand-alone device

Diagram



Classifications

eCl@ss

eCl@ss 4.0	27371100
eCl@ss 4.1	27371100
eCl@ss 5.0	27371000
eCl@ss 5.1	27371000
eCl@ss 6.0	27371600

Solid-state relays - ST-OV3- 24DC/400AC/3 - 2905417

Classifications

eCl@ss

eCl@ss 7.0	27371604
eCl@ss 8.0	27371604
eCl@ss 9.0	27371604

ETIM

ETIM 2.0	EC001504
ETIM 3.0	EC001504
ETIM 4.0	EC001504
ETIM 5.0	EC001504
ETIM 6.0	EC001504
ETIM 7.0	EC001504

UNSPSC

UNSPSC 6.01	30211916
UNSPSC 7.0901	39121542
UNSPSC 11	39121542
UNSPSC 12.01	39121542
UNSPSC 13.2	39122326
UNSPSC 18.0	39122326
UNSPSC 19.0	39122326
UNSPSC 20.0	39122326
UNSPSC 21.0	39122326

Approvals

Approvals

Approvals

EAC / EAC

Ex Approvals

Approval details

EAC		TR_TS_D_00573_c
-----	--	-----------------

Solid-state relays - ST-OV3- 24DC/400AC/3 - 2905417

Approvals

EAC



TR_TS_S_00010_c