

## Cable gland - G-ESIS-M25-S68N-PEPDS-BK - 1424468

Please be informed that the data shown in this PDF Document is generated from our Online Catalog. Please find the complete data in the user's documentation. Our General Terms of Use for Downloads are valid (<http://phoenixcontact.com/download>)



Cable gland, cable gland material: PA, application: Ex, external cable diameter 10 mm ... 17 mm, shielding: no, connecting thread: M25 x 1.5, color: jet black RAL 9005, with flat gasket

### Product Description


Cable gland, with flat gasket

### Your advantages

- Glow-wire test: 750°C
- Weatherproof sealing material
- Halogen-free



### Key Commercial Data

Packing unit	10 pc
Minimum order quantity	10 pc
GTIN	 4 055626 375588
GTIN	4055626375588
Weight per Piece (excluding packing)	21.320 g
Custom tariff number	39269097
Country of origin	Germany

### Technical data

#### Dimensions

Length	38 mm
Thread pitch	1.5 mm
Wrench size, union nut	29 mm
Wrench size, support	29 mm
Hexagon angular dimension	33 mm
Length of the connecting thread	10 mm
External cable diameter	10 mm ... 17 mm

# Cable gland - G-ESIS-M25-S68N-PEPDS-BK - 1424468

## Technical data

### Dimensions

Cable types that can be used	for unarmored cables
Hole diameter	25.1 mm ... 25.3 mm

### Ambient conditions

Degree of protection (IP)	IP66
	IP68 (5 bar / 0.5 h)
Ambient temperature (operation)	-40 °C ... 75 °C (static)

### General

Material	PA (Screw connection, halogen-free)
Cable gland material	PA
Sealing material	EPDM (Flat gasket, halogen-free)
Glow wire ignition temperature GWIT according to EN 60695-2-13	750.00
Thread type connection side	M25 x 1.5
Torque	3 Nm (Support sleeve)
Tightening torque, union nut	2.00 Nm
Color	jet black RAL 9005
Impact energy	7.00 J (at -40 °C ... +75 °C)
Manufacturer	WISKA
Manufacturer Designation	ESKE/1-e 25
Suited for EX-applications	yes

### Standards and Regulations

Halogen-free	yes
--------------	-----

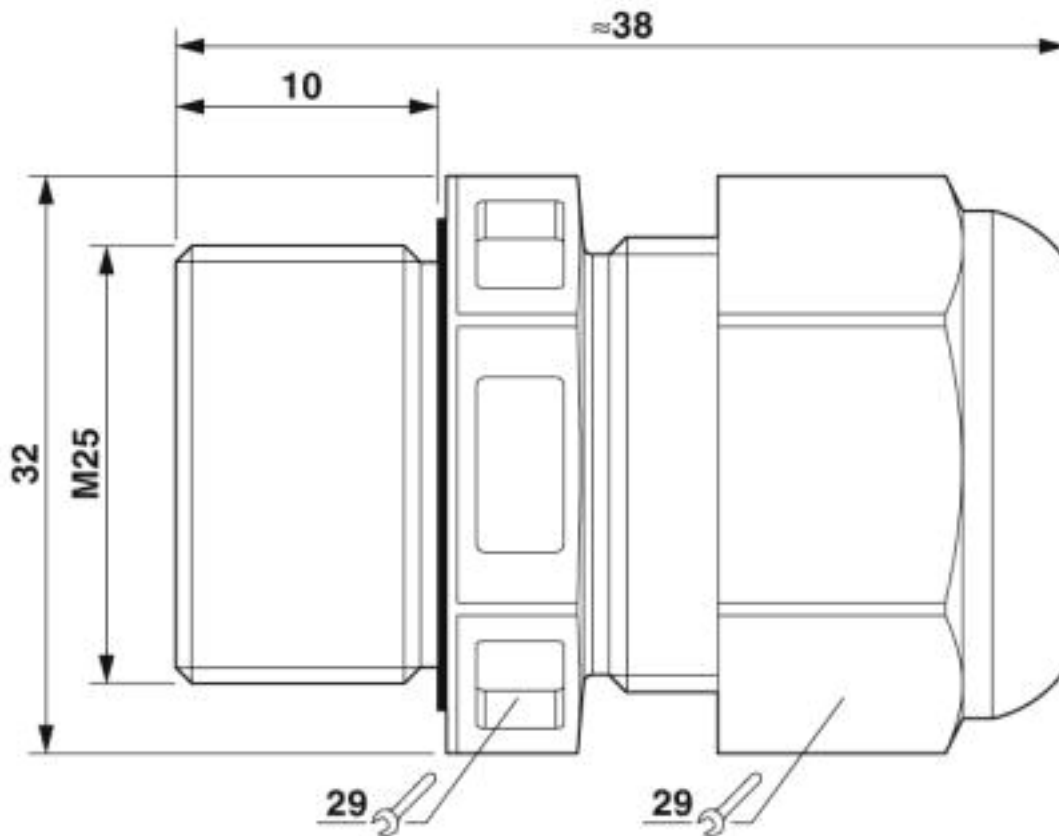
### Environmental Product Compliance

China RoHS	Environmentally friendly use period: unlimited = EFUP-e
	No hazardous substances above threshold values

## Drawings

# Cable gland - G-ESIS-M25-S68N-PEPDS-BK - 1424468

Dimensional drawing



Dimensional drawing

## Classifications

eCl@ss

eCl@ss 4.0	27141200
eCl@ss 4.1	27141200
eCl@ss 5.0	27149100
eCl@ss 5.1	27149109
eCl@ss 6.0	27149100
eCl@ss 7.0	27149109
eCl@ss 8.0	27149109
eCl@ss 9.0	27144432

ETIM

ETIM 5.0	EC000441
ETIM 6.0	EC000441
ETIM 7.0	EC000441

## Cable gland - G-ESIS-M25-S68N-PEPDS-BK - 1424468

### Accessories

Accessories

Flat nut

Counter nut - A-INL-M25-P-BK - 1411216



Counter nut, material: PA, for threads M25 x 1.5, color: jet black RAL 9005

---

Phoenix Contact 2020 © - all rights reserved  
<http://www.phoenixcontact.com>