

Cable gland - G-INS-M16-M68N-SNES-S - 1424542

Please be informed that the data shown in this PDF Document is generated from our Online Catalog. Please find the complete data in the user's documentation. Our General Terms of Use for Downloads are valid (<http://phoenixcontact.com/download>)



Cable gland, cable gland material: Stainless steel 1.4305, external cable diameter 5 mm ... 10 mm, shielding: no, connecting thread: M16 x 1.5, color: silver, with O-ring



Key Commercial Data

Packing unit	1 pc
GTIN	
GTIN	4055626374475
Weight per Piece (excluding packing)	34.200 g
Custom tariff number	73269098
Country of origin	Turkey

Technical data

Dimensions

Length	35 mm
Wrench size, union nut	22 mm
Wrench size, support	22 mm
Hexagon angular dimension	24.5 mm
Length of the connecting thread	7 mm
Feed-through hole diameter	16.1 mm ... 16.3 mm
External cable diameter	5 mm ... 10 mm
	6 mm ... 10 mm (for UL 514 B)

Ambient conditions

Degree of protection (IP)	IP68 (5 bar, 30 min.)
	IP66
	IP69
Ambient temperature (operation)	-40 °C ... 100 °C (static)

General

Cable gland - G-INS-M16-M68N-SNES-S - 1424542

Technical data

General

No. of conductors	1
Cable gland material	Stainless steel 1.4305
Material, insert	Polyamide 6
Cable seal material	CR
Sealing material	Perbunan (O-ring)
Shielded	no
Thread type on connection side	M16 x 1.5
Torque	9 Nm (Union nut)
	9 Nm (Support sleeve)
	9 Nm (for UL514 B: union nut)
Color	silver
Impact category	2
Execution of the strain relief	A
Assembly instructions	1) Mount screw connection support in the housing using the correct torque 2) Insert cable 3) Tighten union nut using the correct torque
Manufacturer	BIMED
Manufacturer Designation	BMSC-E1

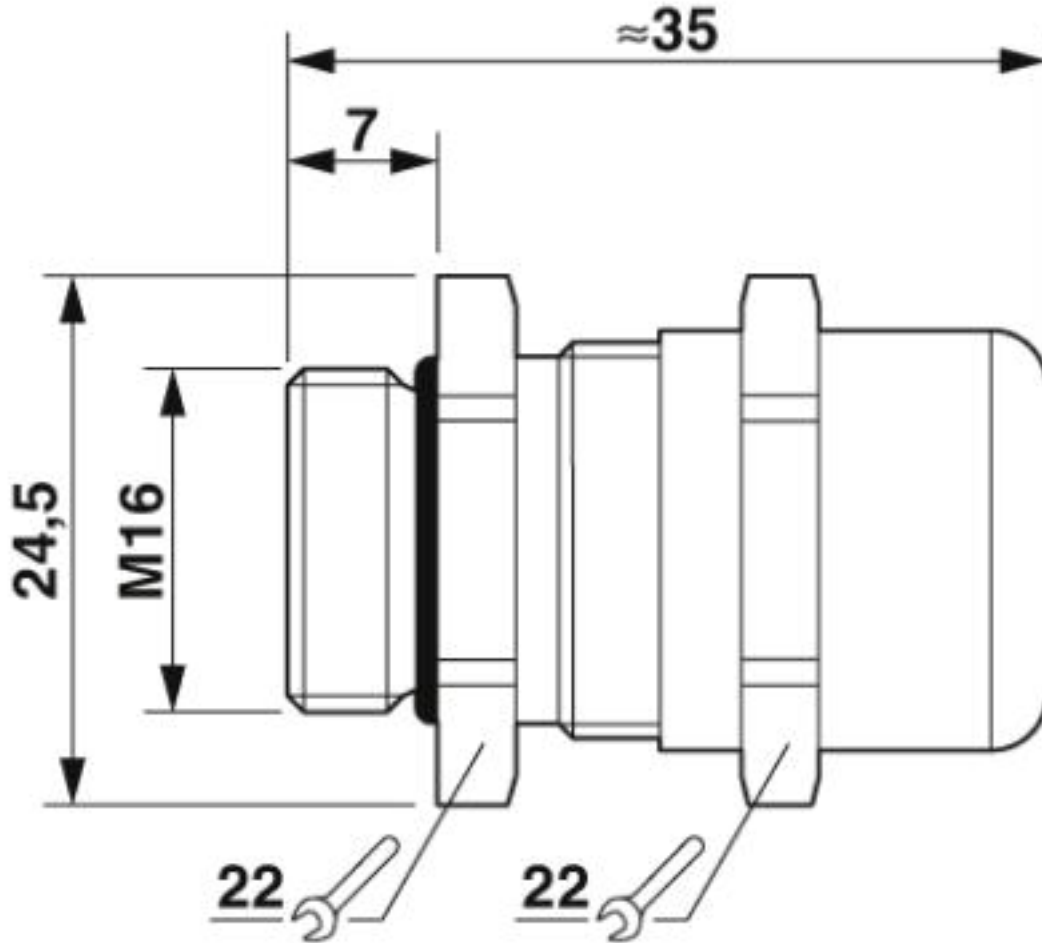
Environmental Product Compliance

	Lead 7439-92-1
China RoHS	Environmentally Friendly Use Period = 50
	For details about hazardous substances go to tab "Downloads", Category "Manufacturer's declaration"

Drawings

Cable gland - G-INS-M16-M68N-SNES-S - 1424542

Dimensional drawing



Dimensional drawing

Classifications

eCl@ss

eCl@ss 4.0	27141200
eCl@ss 4.1	27141200
eCl@ss 5.0	27149100
eCl@ss 5.1	27149109
eCl@ss 6.0	27149100
eCl@ss 7.0	27149109
eCl@ss 8.0	27149109
eCl@ss 9.0	27144432

ETIM

ETIM 5.0	EC000441
----------	----------

Cable gland - G-INS-M16-M68N-SNES-S - 1424542

Classifications

ETIM

ETIM 6.0	EC000441
ETIM 7.0	EC000441

Approvals

Approvals

Approvals

UL Recognized / cUL Recognized / cULus Recognized

Ex Approvals

Approval details

UL Recognized		http://database.ul.com/cgi-bin/XYV/template/LISEXT/1FRAME/index.htm	E199260
---------------	--	---	---------

cUL Recognized		http://database.ul.com/cgi-bin/XYV/template/LISEXT/1FRAME/index.htm	E199260
----------------	--	---	---------

cULus Recognized			
------------------	--	--	--

Accessories

Accessories

Flat nut

Counter nut - A-INL-M16-S-S - 1425176



Counter nut, material: Stainless steel 1.4305, for threads M16 x 1.5, color: silver

Sealing plugs

Cable gland - G-INS-M16-M68N-SNES-S - 1424542

Accessories

Closing cap - SEALING PLUG 8X16 RD - 1400257



Closing cap, material: PA, color: red