

Cable gland - G-INS-M20-M68N-PNES-GY - 1424476

Please be informed that the data shown in this PDF Document is generated from our Online Catalog. Please find the complete data in the user's documentation. Our General Terms of Use for Downloads are valid (<http://phoenixcontact.com/download>)




Cable gland, cable gland material: PA, external cable diameter 10 mm ... 14 mm, shielding: no, connecting thread: M20 x 1.5, color: silver-gray RAL 7001

Your advantages

- Plastic material conforms to UL 746C f1

Key Commercial Data

| | |
|--------------------------------------|---|
| Packing unit | 5 pc |
| Minimum order quantity | 5 pc |
| GTIN |  4 055626 372662 |
| GTIN | 4055626372662 |
| Weight per Piece (excluding packing) | 14.000 g |
| Custom tariff number | 39269097 |
| Country of origin | Turkey |

Technical data

Dimensions

| | |
|---------------------------------|--------------------------------|
| Length | 42 mm |
| Wrench size, union nut | 27 mm |
| Wrench size, support | 27 mm |
| Hexagon angular dimension | 27.8 mm |
| Length of the connecting thread | 10 mm |
| Feed-through hole diameter | 20.1 mm ... 20.2 mm |
| External cable diameter | 10 mm ... 14 mm |
| | 10 mm ... 14 mm (for UL 514 B) |

Ambient conditions

| | |
|---------------------------|----------------------|
| Degree of protection (IP) | IP68 (5 bar / 0.5 h) |
| | IP66 |

Cable gland - G-INS-M20-M68N-PNES-GY - 1424476

Technical data

Ambient conditions

| | |
|---------------------------------|----------------------------|
| Ambient temperature (operation) | -40 °C ... 100 °C (static) |
|---------------------------------|----------------------------|

General

| | |
|--|---|
| No. of conductors | 1 |
| Cable gland material | PA |
| Cable seal material | CR |
| Flammability rating according to UL 94 | V2 |
| | V2 (Housing) |
| Shielded | no |
| Thread type on connection side | M20 x 1.5 |
| Torque | 5.5 Nm ± () |
| Color | silver-gray RAL 7001 |
| Impact category | 2 |
| Execution of the strain relief | A |
| Assembly instructions | 1) Mount screw connection support in the housing using the correct torque 2) Insert cable 3) Tighten union nut using the correct torque |
| Manufacturer | BIMED |
| Manufacturer Designation | BM-03 |

Standards and Regulations

| | |
|--|----|
| Flammability rating according to UL 94 | V2 |
|--|----|

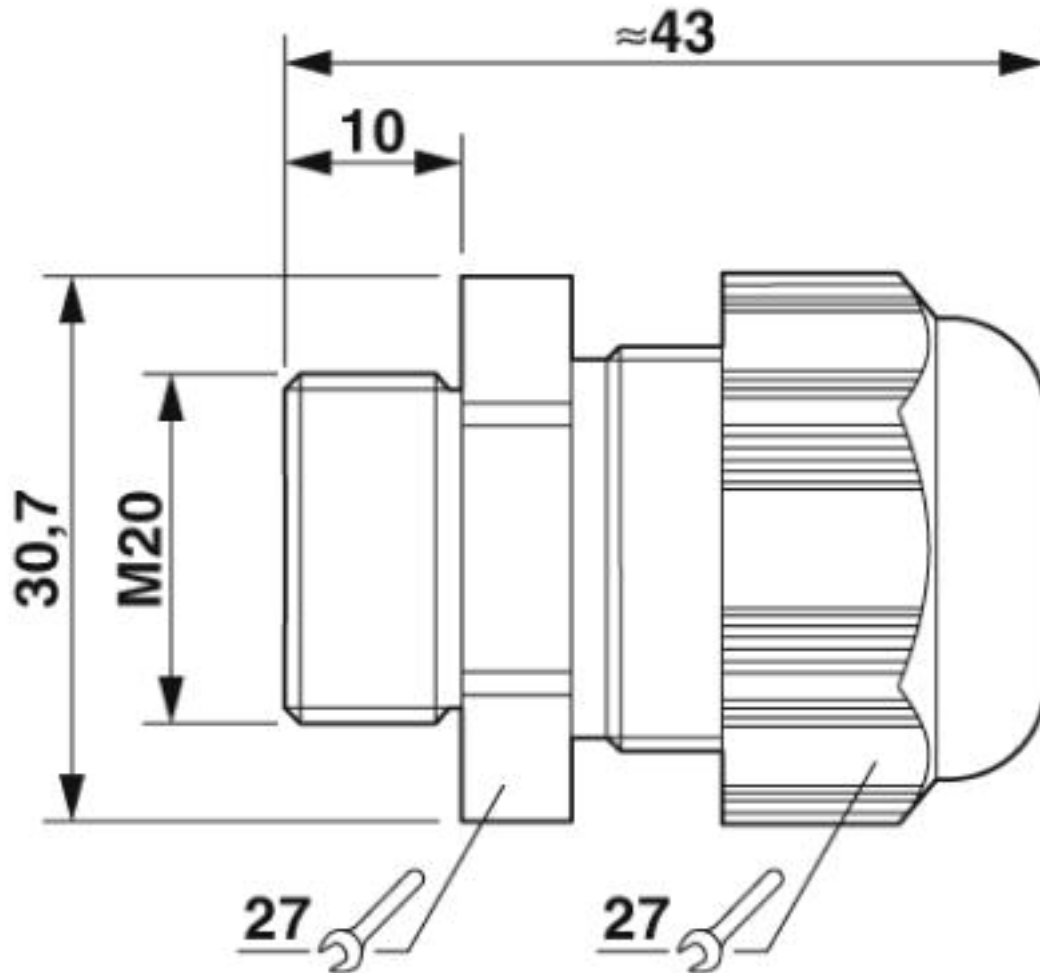
Environmental Product Compliance

| | |
|------------|---|
| China RoHS | Environmentally friendly use period: unlimited = EFUP-e |
| | No hazardous substances above threshold values |

Drawings

Cable gland - G-INS-M20-M68N-PNES-GY - 1424476

Dimensional drawing



Dimensional drawing

Classifications

eCl@ss

| | |
|------------|----------|
| eCl@ss 4.0 | 27141200 |
| eCl@ss 4.1 | 27141200 |
| eCl@ss 5.0 | 27149100 |
| eCl@ss 5.1 | 27149109 |
| eCl@ss 6.0 | 27149100 |
| eCl@ss 7.0 | 27149109 |
| eCl@ss 8.0 | 27149109 |
| eCl@ss 9.0 | 27144432 |

ETIM

| | |
|----------|----------|
| ETIM 5.0 | EC000441 |
|----------|----------|

Cable gland - G-INS-M20-M68N-PNES-GY - 1424476

Classifications

ETIM

| | |
|----------|----------|
| ETIM 6.0 | EC000441 |
| ETIM 7.0 | EC000441 |

Approvals

Approvals

| |
|-----------|
| Approvals |
|-----------|

CSA / UL Listed / cUL Listed / cULus Listed

| |
|--------------|
| Ex Approvals |
|--------------|

| |
|------------------|
| Approval details |
|------------------|

| | | | |
|-----|--|---|--------|
| CSA | | http://www.csagroup.org/services-industries/product-listing/ | 115116 |
|-----|--|---|--------|

| | | | |
|-----------|--|---|---------|
| UL Listed | | http://database.ul.com/cgi-bin/XYV/template/LISEXT/1FRAME/index.htm | E199260 |
|-----------|--|---|---------|

| | | | |
|------------|--|---|---------|
| cUL Listed | | http://database.ul.com/cgi-bin/XYV/template/LISEXT/1FRAME/index.htm | E199260 |
|------------|--|---|---------|

| | | | |
|--------------|--|--|--|
| cULus Listed | | | |
|--------------|--|--|--|

Accessories

Accessories

Flat nut

Counter nut - A-INL-M20-P-LG - 1414570



Counter nut, material: PA 6 GF 30, for threads M20 x 1.5, color: lightgrey RAL 7035

Cable gland - G-INS-M20-M68N-PNES-GY - 1424476

Accessories

Sealing plugs

Closing cap - SEALING PLUG 9X16 RD - 1400259



Closing cap, material: PA, color: red
