

Cable gland - G-INS-M20-M68N-PNES-LG - 1424471

Please be informed that the data shown in this PDF Document is generated from our Online Catalog. Please find the complete data in the user's documentation. Our General Terms of Use for Downloads are valid (<http://phoenixcontact.com/download>)




Cable gland, cable gland material: PA, external cable diameter 10 mm ... 14 mm, shielding: no, connecting thread: M20 x 1.5, color: lightgrey RAL 7035

Your advantages

- ✓ Plastic material conforms to UL 746C f1

Key Commercial Data

Packing unit	5 pc
Minimum order quantity	5 pc
GTIN	 4 0 5 5 6 2 6 3 7 2 6 1 7
GTIN	4055626372617
Weight per Piece (excluding packing)	13.000 g
Custom tariff number	39269097
Country of origin	Turkey

Technical data

Dimensions

Length	43 mm
Wrench size, union nut	27 mm
Wrench size, support	27 mm
Hexagon angular dimension	27.8 mm
Length of the connecting thread	10 mm
Feed-through hole diameter	20.1 mm ... 20.2 mm
External cable diameter	10 mm ... 14 mm
	10 mm ... 14 mm (for UL 514 B)

Ambient conditions

Degree of protection (IP)	IP68 (5 bar / 0.5 h)
	IP66

Cable gland - G-INS-M20-M68N-PNES-LG - 1424471

Technical data

Ambient conditions

Ambient temperature (operation)	-40 °C ... 100 °C (static)
---------------------------------	----------------------------

General

No. of conductors	1
Cable gland material	PA
Cable seal material	CR
Flammability rating according to UL 94	V2
	V2 (Housing)
Shielded	no
Thread type on connection side	M20 x 1.5
Torque	3.5 Nm (Union nut: EN 62444)
	3.5 Nm (Support: EN 62444)
	9 Nm (for UL514 B: union nut)
Color	lightgrey RAL 7035
Impact category	2
Execution of the strain relief	A
Assembly instructions	1) Mount screw connection support in the housing using the correct torque 2) Insert cable 3) Tighten union nut using the correct torque
Manufacturer	BIMED
Manufacturer Designation	BM-13

Standards and Regulations

Flammability rating according to UL 94	V2
--	----

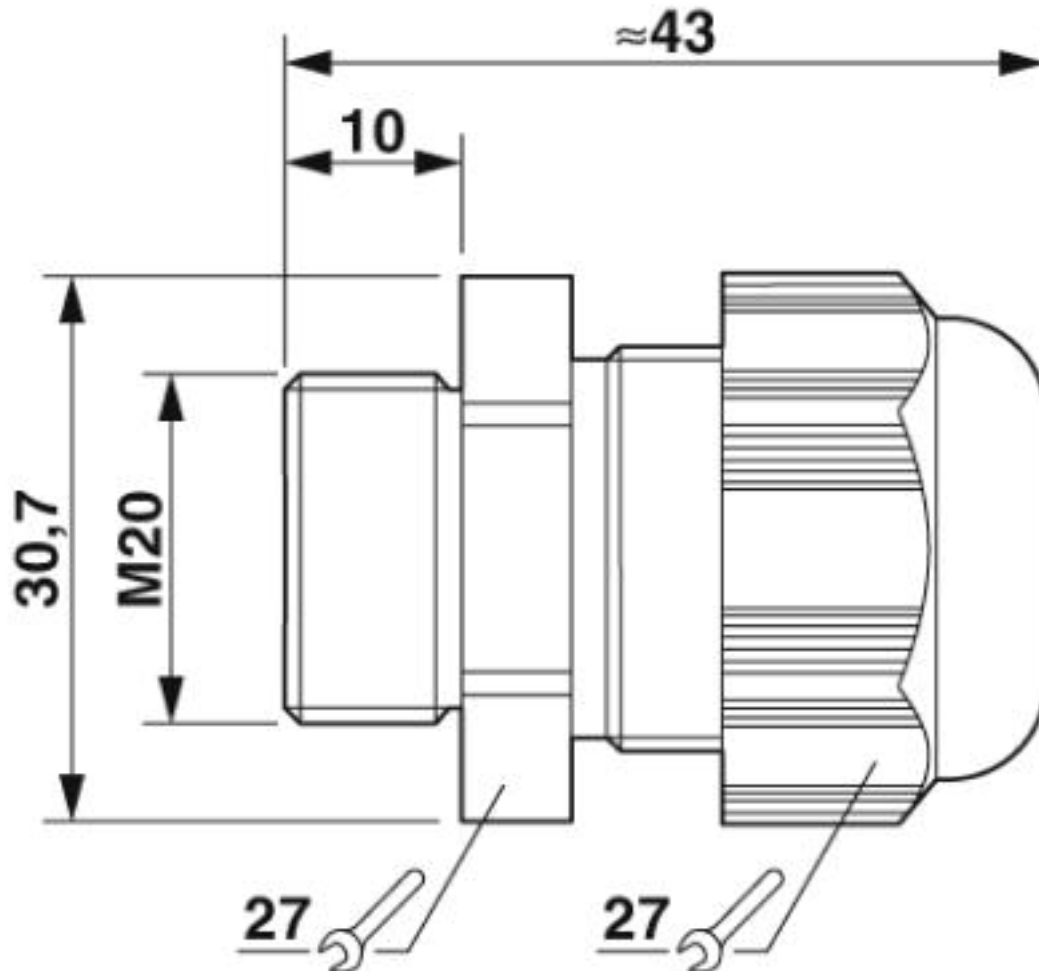
Environmental Product Compliance

China RoHS	Environmentally friendly use period: unlimited = EFUP-e
	No hazardous substances above threshold values

Drawings

Cable gland - G-INS-M20-M68N-PNES-LG - 1424471

Dimensional drawing



Dimensional drawing

Classifications

eCl@ss

eCl@ss 4.0	27141200
eCl@ss 4.1	27141200
eCl@ss 5.0	27149100
eCl@ss 5.1	27149109
eCl@ss 6.0	27149100
eCl@ss 7.0	27149109
eCl@ss 8.0	27149109
eCl@ss 9.0	27144432

ETIM

ETIM 5.0	EC000441
----------	----------

Cable gland - G-INS-M20-M68N-PNES-LG - 1424471

Classifications

ETIM

ETIM 6.0	EC000441
ETIM 7.0	EC000441

Approvals

Approvals

Approvals

CSA / UL Listed / cUL Listed / cULus Listed

Ex Approvals

Approval details

CSA		http://www.csagroup.org/services-industries/product-listing/	115116
-----	--	---	--------

UL Listed		http://database.ul.com/cgi-bin/XYV/template/LISEXT/1FRAME/index.htm	E199260
-----------	--	---	---------

cUL Listed		http://database.ul.com/cgi-bin/XYV/template/LISEXT/1FRAME/index.htm	E199260
------------	--	---	---------

cULus Listed			
--------------	--	--	--

Accessories

Accessories

Flat nut

Counter nut - A-INL-M20-P-LG - 1414570



Counter nut, material: PA 6 GF 30, for threads M20 x 1.5, color: lightgrey RAL 7035

Cable gland - G-INS-M20-M68N-PNES-LG - 1424471

Accessories

Sealing plugs

Closing cap - SEALING PLUG 9X16 RD - 1400259



Closing cap, material: PA, color: red
