

## Cable gland - G-INS-M25-L68N-PNES-LG - 1424472

Please be informed that the data shown in this PDF Document is generated from our Online Catalog. Please find the complete data in the user's documentation. Our General Terms of Use for Downloads are valid (<http://phoenixcontact.com/download>)




Cable gland, cable gland material: PA, external cable diameter 13 mm ... 18 mm, shielding: no, connecting thread: M25 x 1.5, color: lightgrey RAL 7035

### Your advantages

- ✔ Plastic material conforms to UL 746C f1

### Key Commercial Data

Packing unit	5 pc
Minimum order quantity	5 pc
GTIN	 4 0 5 5 6 2 6 3 7 2 6 2 4
GTIN	4055626372624
Weight per Piece (excluding packing)	23.360 g
Custom tariff number	39269097
Country of origin	Turkey

### Technical data

#### Dimensions

Length	45.5 mm
Wrench size, union nut	33 mm
Wrench size, support	33 mm
Hexagon angular dimension	33.5 mm
Length of the connecting thread	10 mm
Feed-through hole diameter	25.1 mm ... 25.2 mm
External cable diameter	13 mm ... 18 mm
	13 mm ... 18 mm (for UL 514 B)

#### Ambient conditions

Degree of protection (IP)	IP68 (5 bar / 0.5 h)
	IP66

# Cable gland - G-INS-M25-L68N-PNES-LG - 1424472

## Technical data

### Ambient conditions

Ambient temperature (operation)	-40 °C ... 100 °C (static)
---------------------------------	----------------------------

### General

No. of conductors	1
Cable gland material	PA
Cable seal material	CR
Flammability rating according to UL 94	V2
	V2 (Housing)
Shielded	no
Thread type on connection side	M25 x 1.5
Torque	9 Nm ± (1 Nm)
Color	lightgrey RAL 7035
Impact category	4
Execution of the strain relief	A
Assembly instructions	1) Mount screw connection support in the housing using the correct torque 2) Insert cable 3) Tighten union nut using the correct torque
Manufacturer	BIMED
Manufacturer Designation	BM-15

### Standards and Regulations

Flammability rating according to UL 94	V2
--	----

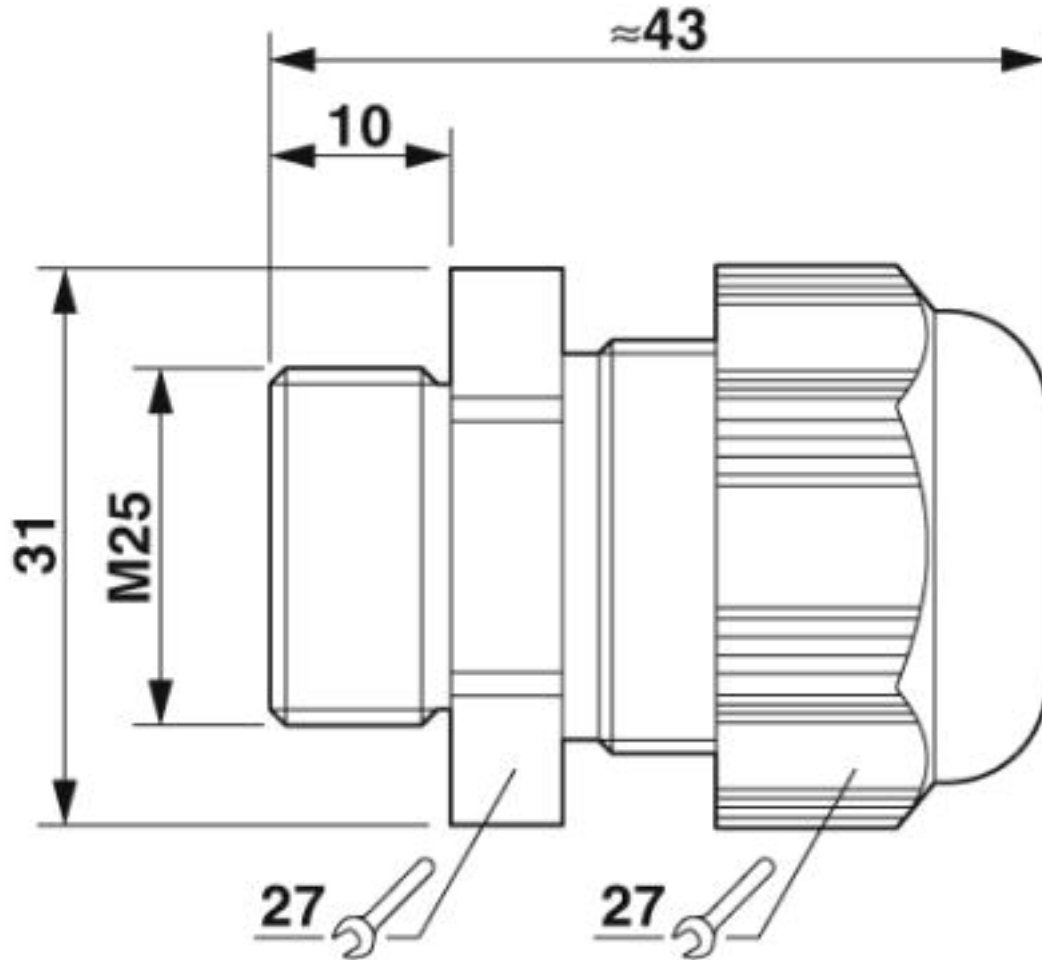
### Environmental Product Compliance

China RoHS	Environmentally friendly use period: unlimited = EFUP-e
	No hazardous substances above threshold values

## Drawings

# Cable gland - G-INS-M25-L68N-PNES-LG - 1424472

Dimensional drawing



Dimensional drawing

## Classifications

eCl@ss

eCl@ss 4.0	27141200
eCl@ss 4.1	27141200
eCl@ss 5.0	27149100
eCl@ss 5.1	27149109
eCl@ss 6.0	27149100
eCl@ss 7.0	27149109
eCl@ss 8.0	27149109
eCl@ss 9.0	27144432

ETIM

ETIM 5.0	EC000441
----------	----------

# Cable gland - G-INS-M25-L68N-PNES-LG - 1424472

## Classifications

### ETIM

ETIM 6.0	EC000441
ETIM 7.0	EC000441

## Approvals

### Approvals

---

### Approvals

CSA / UL Listed / cUL Listed / cULus Listed

---

### Ex Approvals

---

## Approval details

CSA		<a href="http://www.csagroup.org/services-industries/product-listing/">http://www.csagroup.org/services-industries/product-listing/</a>	115116
-----	--	---	--------

UL Listed		<a href="http://database.ul.com/cgi-bin/XYV/template/LISEXT/1FRAME/index.htm">http://database.ul.com/cgi-bin/XYV/template/LISEXT/1FRAME/index.htm</a>	E199260
-----------	--	---	---------

cUL Listed		<a href="http://database.ul.com/cgi-bin/XYV/template/LISEXT/1FRAME/index.htm">http://database.ul.com/cgi-bin/XYV/template/LISEXT/1FRAME/index.htm</a>	E199260
------------	--	---	---------

cULus Listed			
--------------	--	--	--

## Accessories

### Accessories

#### Flat nut

Counter nut - A-INL-M25-P-LG - 1417661



Counter nut, material: PA 6 GF 30, for threads M25 x 1.5, color: lightgrey RAL 7035

## Cable gland - G-INS-M25-L68N-PNES-LG - 1424472

### Accessories

---

#### Sealing plugs

Closing cap - SEALING PLUG 14X22 RD - 1400270



Closing cap, material: PA, for threads pluggable, color: red

---