

## Cable gland - G-INTRO-M20-S68N-PEPDS-BK - 1415189

Please be informed that the data shown in this PDF Document is generated from our Online Catalog. Please find the complete data in the user's documentation. Our General Terms of Use for Downloads are valid (<http://phoenixcontact.com/download>)




Cable gland, cable gland material: PA, material pressure screw: PA, external cable diameter 6 mm ... 13 mm, shielding: no, connecting thread: M20 x 1.5, color: jet black, with external strain relief

### Your advantages

- ✓ Glow-wire test: 750°C
- ✓ Weatherproof sealing material
- ✓ Halogen-free



### Key Commercial Data

Packing unit	10 pc
Minimum order quantity	10 pc
GTIN	 4 055626 038179
GTIN	4055626038179
Weight per Piece (excluding packing)	17.870 g
Custom tariff number	39269097
Country of origin	Germany

### Technical data

#### Dimensions

Length	49 mm
Length without connecting thread	39 mm
Wrench size, union nut	24 mm
Wrench size, support	24 mm
Hexagon angular dimension	27 mm
Length of the connecting thread	10 mm
Feed-through hole diameter	20.1 mm ... 20.2 mm
External cable diameter	6 mm ... 13 mm
	7.5 mm ... 11.3 mm (for UL 514 B)

# Cable gland - G-INTRO-M20-S68N-PEPDS-BK - 1415189

## Technical data

### Dimensions

Clamping range of the strain relief clip	6.00 mm ... 13.00 mm
--	----------------------

### Ambient conditions

Degree of protection (IP)	IP68 (5 bar / 0.5 h)
	IP69 (DIN EN 60529 / IEC 60529)
Ambient temperature (operation)	-40 °C ... 100 °C (static)

### General

Type	with external strain relief
No. of conductors	1
Cable gland material	PA
Material, pressure screw	PA
Sealing material	EPDM (Cable seal, halogen-free)
Glow wire ignition temperature GWIT according to EN 60695-2-13	750.00
Shielded	no
Thread type on connection side	M20 x 1.5
Torque	4 Nm (Union nut: EN 62444)
	4 Nm (Support: EN 62444)
	0.5 Nm (Screw for clip)
Color	jet black
Impact category	2
Execution of the strain relief	B
Manufacturer	WISKA
Manufacturer Designation	ESKVZ 20

### Standards and Regulations

Halogen-free	yes
--------------	-----

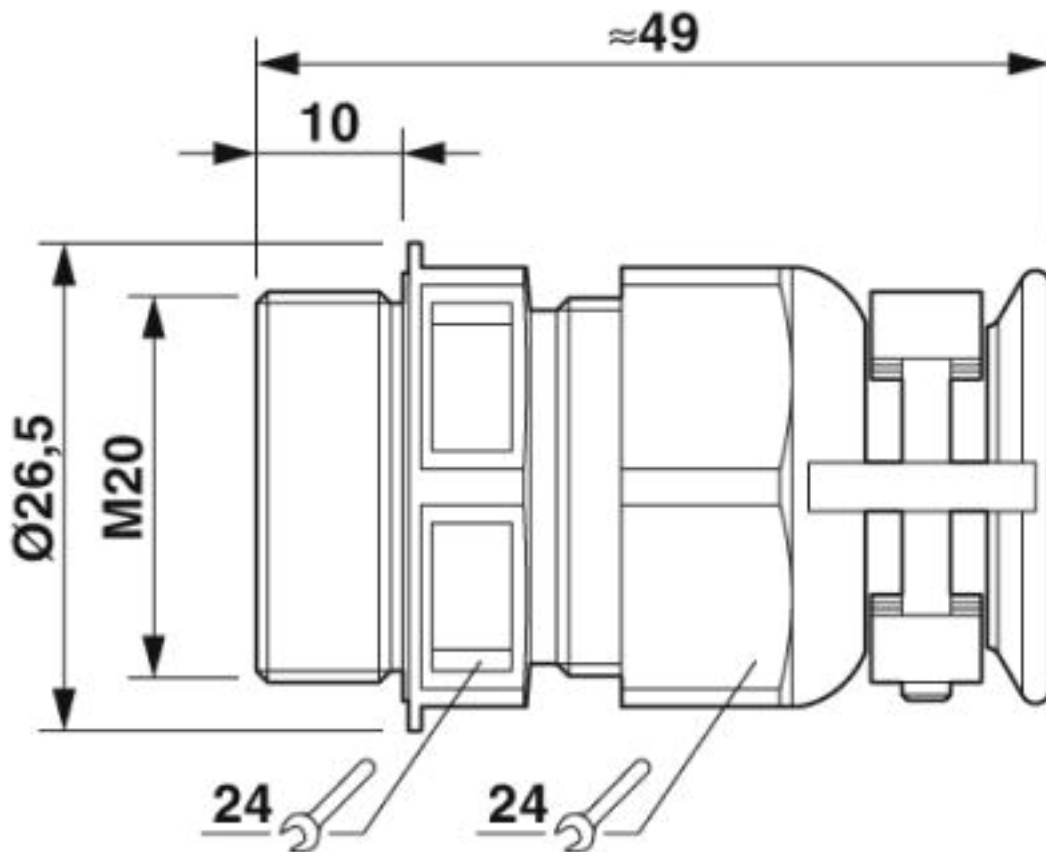
### Environmental Product Compliance

China RoHS	Environmentally friendly use period: unlimited = EFUP-e
	No hazardous substances above threshold values

## Drawings

# Cable gland - G-INTRO-M20-S68N-PEPDS-BK - 1415189

Dimensional drawing



## Classifications

### eCl@ss

eCl@ss 4.0	27141200
eCl@ss 4.1	27141200
eCl@ss 5.0	27149100
eCl@ss 5.1	27149100
eCl@ss 6.0	27149100
eCl@ss 7.0	27149109
eCl@ss 8.0	27149109
eCl@ss 9.0	27144432

### ETIM

ETIM 5.0	EC000441
ETIM 6.0	EC000441
ETIM 7.0	EC000441

### UNSPSC

UNSPSC 13.2	39121311
-------------	----------

# Cable gland - G-INTRO-M20-S68N-PEPDS-BK - 1415189

## Classifications

### UNSPSC

UNSPSC 18.0	39121311
UNSPSC 19.0	39121311
UNSPSC 20.0	39121311
UNSPSC 21.0	39121311

## Approvals

### Approvals

#### Approvals

UL Recognized / cUL Recognized / GOST-R / cULus Recognized

#### Ex Approvals

### Approval details

UL Recognized		<a href="http://database.ul.com/cgi-bin/XYV/template/LISEXT/1FRAME/index.htm">http://database.ul.com/cgi-bin/XYV/template/LISEXT/1FRAME/index.htm</a>	E179850
---------------	--	---	---------

cUL Recognized		<a href="http://database.ul.com/cgi-bin/XYV/template/LISEXT/1FRAME/index.htm">http://database.ul.com/cgi-bin/XYV/template/LISEXT/1FRAME/index.htm</a>	E179850
----------------	--	---	---------

GOST-R			POCC DE.A*98.H12052
--------	--	--	------------------------

cULus Recognized			
------------------	--	--	--

## Accessories

### Accessories

Flat nut

## Cable gland - G-INTRO-M20-S68N-PEPDS-BK - 1415189

### Accessories

Counter nut - A-INL-M20-P-BK - 1411215



Counter nut, material: PA, for threads M20 x 1.5, color: jet black RAL 9005

---

Phoenix Contact 2020 © - all rights reserved  
<http://www.phoenixcontact.com>