

Cable gland - G-INTRO-M25-M68N-PEPDS-BK - 1415190

Please be informed that the data shown in this PDF Document is generated from our Online Catalog. Please find the complete data in the user's documentation. Our General Terms of Use for Downloads are valid (<http://phoenixcontact.com/download>)




Cable gland, cable gland material: PA, material pressure screw: PA, external cable diameter 9 mm ... 17 mm, shielding: no, connecting thread: M25 x 1.5, color: jet black, with external strain relief

Your advantages

- Glow-wire test: 750°C
- Weatherproof sealing material
- Halogen-free

RoHS

Key Commercial Data

Packing unit	10 pc
Minimum order quantity	10 pc
GTIN	 4 055626 038186
GTIN	4055626038186
Weight per Piece (excluding packing)	25.610 g
Custom tariff number	39269097
Country of origin	Germany

Technical data

Dimensions

Length	51 mm
Length without connecting thread	41 mm
Wrench size, union nut	29 mm
Wrench size, support	29 mm
Hexagon angular dimension	32 mm
Length of the connecting thread	10 mm
Feed-through hole diameter	25.1 mm ... 25.2 mm
External cable diameter	9 mm ... 17 mm
	10.8 mm ... 15.8 mm (for UL 514 B)

Cable gland - G-INTRO-M25-M68N-PEPDS-BK - 1415190

Technical data

Dimensions

Clamping range of the strain relief clip	9.00 mm ... 17.00 mm
--	----------------------

Ambient conditions

Degree of protection (IP)	IP68 (5 bar / 0.5 h)
	IP69 (DIN EN 60529 / IEC 60529)
Ambient temperature (operation)	-40 °C ... 100 °C (static)

General

Type	with external strain relief
No. of conductors	1
Cable gland material	PA
Material, pressure screw	PA
Sealing material	EPDM (Cable seal, halogen-free)
Glow wire ignition temperature GWIT according to EN 60695-2-13	750.00
Shielded	no
Thread type on connection side	M25 x 1.5
Torque	4 Nm (Union nut: EN 62444)
	10 Nm (Support: EN 62444)
	0.5 Nm (Screw for clip)
Color	jet black
Impact category	4
Execution of the strain relief	B
Manufacturer	WISKA
Manufacturer Designation	ESKVZ 25

Standards and Regulations

Halogen-free	yes
--------------	-----

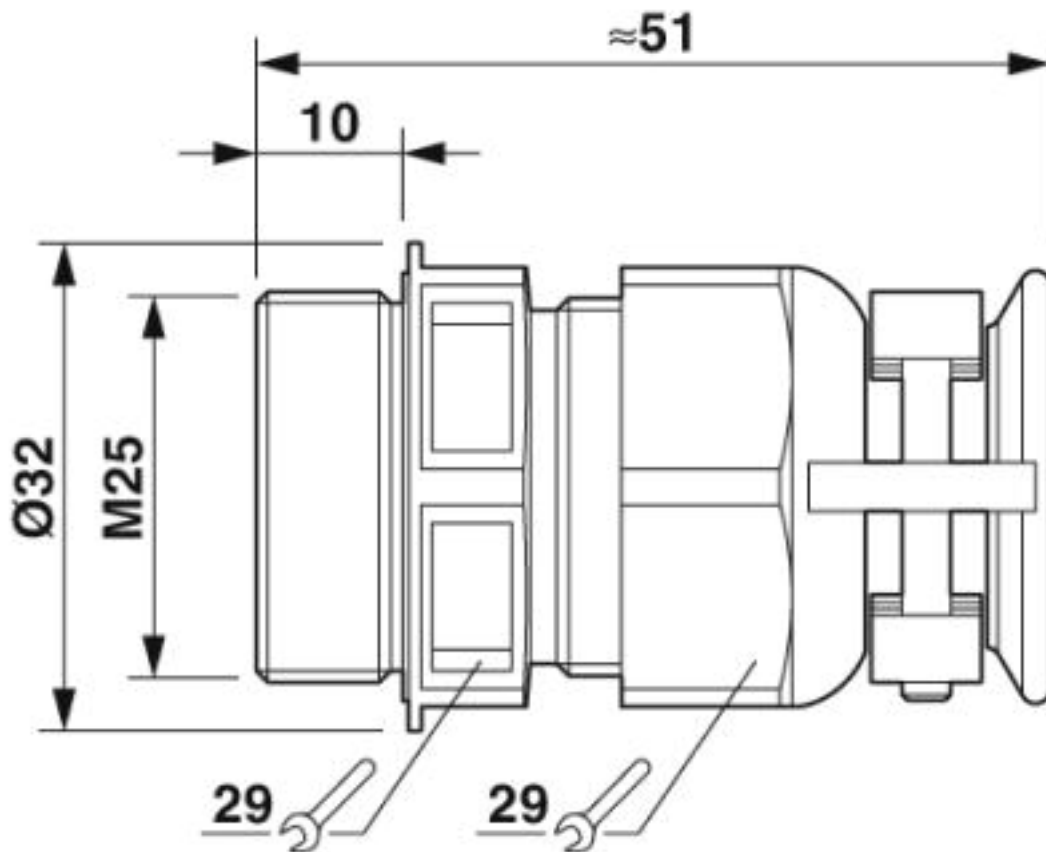
Environmental Product Compliance

China RoHS	Environmentally friendly use period: unlimited = EFUP-e
	No hazardous substances above threshold values

Drawings

Cable gland - G-INTRO-M25-M68N-PEPDS-BK - 1415190

Dimensional drawing



Classifications

eCl@ss

eCl@ss 4.0	27141200
eCl@ss 4.1	27141200
eCl@ss 5.0	27149100
eCl@ss 5.1	27149100
eCl@ss 6.0	27149100
eCl@ss 7.0	27149109
eCl@ss 8.0	27149109
eCl@ss 9.0	27144432

ETIM

ETIM 5.0	EC000441
ETIM 6.0	EC000441
ETIM 7.0	EC000441

UNSPSC

UNSPSC 13.2	39121311
-------------	----------

Cable gland - G-INTRO-M25-M68N-PEPDS-BK - 1415190

Classifications

UNSPSC

UNSPSC 18.0	39121311
UNSPSC 19.0	39121311
UNSPSC 20.0	39121311
UNSPSC 21.0	39121311

Approvals

Approvals

Approvals

UL Recognized / cUL Recognized / GOST-R / cULus Recognized

Ex Approvals

Approval details

UL Recognized		http://database.ul.com/cgi-bin/XYV/template/LISEXT/1FRAME/index.htm	E179850
---------------	--	---	---------

cUL Recognized		http://database.ul.com/cgi-bin/XYV/template/LISEXT/1FRAME/index.htm	E179850
----------------	--	---	---------

GOST-R			POCC DE.A*98.H12052
--------	--	--	------------------------

cULus Recognized			
------------------	--	--	--

Accessories

Accessories

Flat nut

Cable gland - G-INTRO-M25-M68N-PEPDS-BK - 1415190

Accessories

Counter nut - A-INL-M25-P-BK - 1411216



Counter nut, material: PA, for threads M25 x 1.5, color: jet black RAL 9005

Phoenix Contact 2020 © - all rights reserved
<http://www.phoenixcontact.com>