

Fixing bracket - FLT-ISG-BR-18 - 2905582

Please be informed that the data shown in this PDF Document is generated from our Online Catalog. Please find the complete data in the user's documentation. Our General Terms of Use for Downloads are valid (<http://phoenixcontact.com/download>)

Bracket for fixing the FLT-ISG-100-EX isolating spark gap to a flange, drill hole diameter of 18 mm.



Key Commercial Data

Packing unit	1 pc
GTIN	
GTIN	4055626002293
Weight per Piece (excluding packing)	106.100 g
Custom tariff number	73269098
Country of origin	Germany
Note	Made to Order (non-returnable)

Technical data

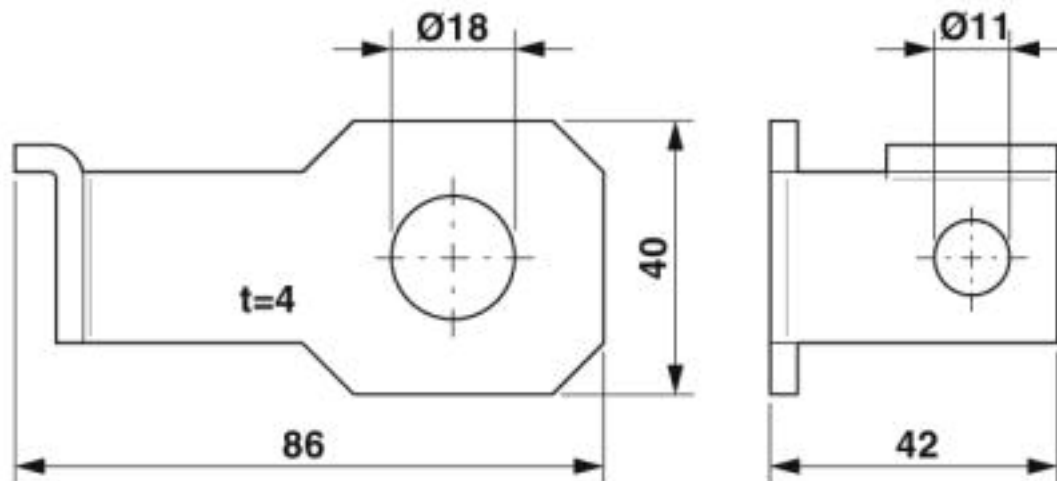
General

Mounting type	Screw mounting
Material	St/tZn

Drawings

Fixing bracket - FLT-ISG-BR-18 - 2905582

Dimensional drawing



Classifications

eCl@ss

eCl@ss 4.0	27140200
eCl@ss 4.1	27140200
eCl@ss 5.0	27140200
eCl@ss 5.1	27140200
eCl@ss 6.0	27409200
eCl@ss 7.0	27409202
eCl@ss 8.0	27409202
eCl@ss 9.0	27400563

ETIM

ETIM 5.0	EC000490
ETIM 6.0	EC000482
ETIM 7.0	EC000482

UNSPSC

UNSPSC 13.2	39121708
UNSPSC 18.0	39121708
UNSPSC 19.0	39121708
UNSPSC 20.0	39121708
UNSPSC 21.0	39121708