

Fixing bracket - FLT-ISG-BR-26 - 2905757

Please be informed that the data shown in this PDF Document is generated from our Online Catalog. Please find the complete data in the user's documentation. Our General Terms of Use for Downloads are valid (<http://phoenixcontact.com/download>)

Bracket for fixing the FLT-ISG-100-EX isolating spark gap to a flange, drill hole diameter of 26 mm.



Key Commercial Data

| | |
|--------------------------------------|---|
| Packing unit | 1 pc |
| GTIN |  4 055626 002569 |
| GTIN | 4055626002569 |
| Weight per Piece (excluding packing) | 97.100 g |
| Custom tariff number | 73269098 |
| Country of origin | Germany |
| Note | Made to Order (non-returnable) |

Technical data

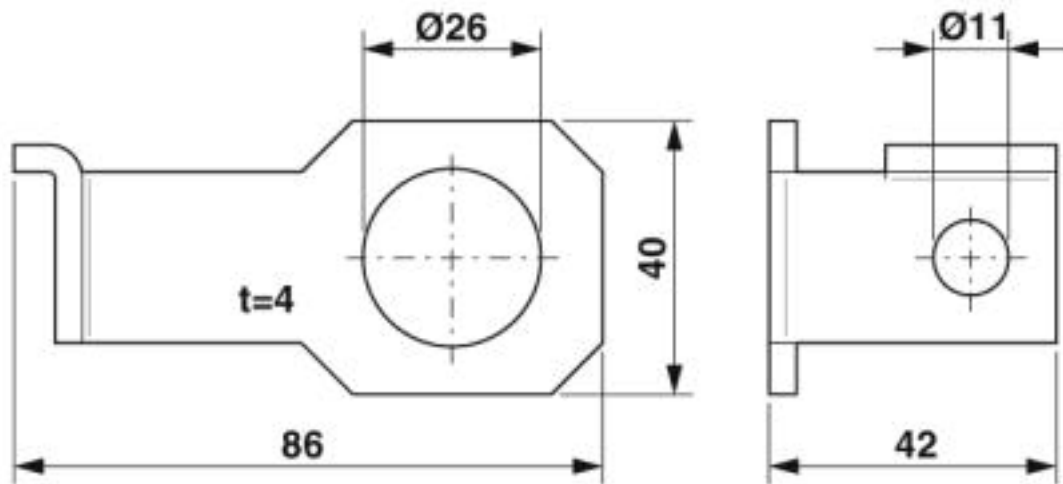
General

| | |
|---------------|----------------|
| Mounting type | Screw mounting |
| Material | St/tZn |

Drawings

Fixing bracket - FLT-ISG-BR-26 - 2905757

Dimensional drawing



Classifications

eCl@ss

| | |
|------------|----------|
| eCl@ss 4.0 | 27140200 |
| eCl@ss 4.1 | 27140200 |
| eCl@ss 5.0 | 27140200 |
| eCl@ss 5.1 | 27140200 |
| eCl@ss 6.0 | 27409200 |
| eCl@ss 7.0 | 27409202 |
| eCl@ss 8.0 | 27409202 |
| eCl@ss 9.0 | 27400563 |

ETIM

| | |
|----------|----------|
| ETIM 5.0 | EC000490 |
| ETIM 6.0 | EC000482 |
| ETIM 7.0 | EC000482 |

UNSPSC

| | |
|-------------|----------|
| UNSPSC 13.2 | 39121708 |
| UNSPSC 18.0 | 39121708 |
| UNSPSC 19.0 | 39121708 |
| UNSPSC 20.0 | 39121708 |
| UNSPSC 21.0 | 39121708 |