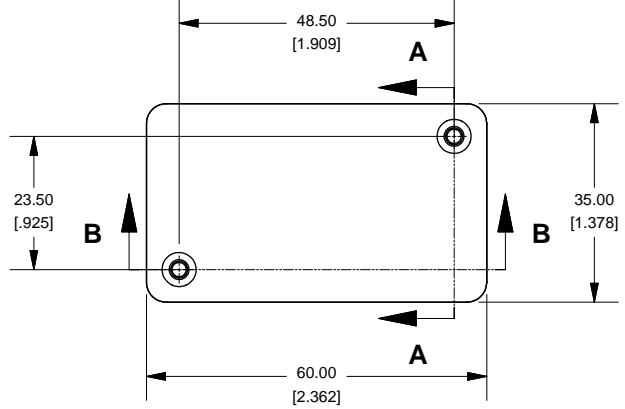
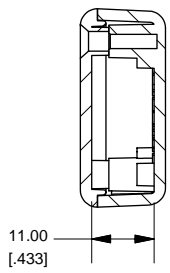


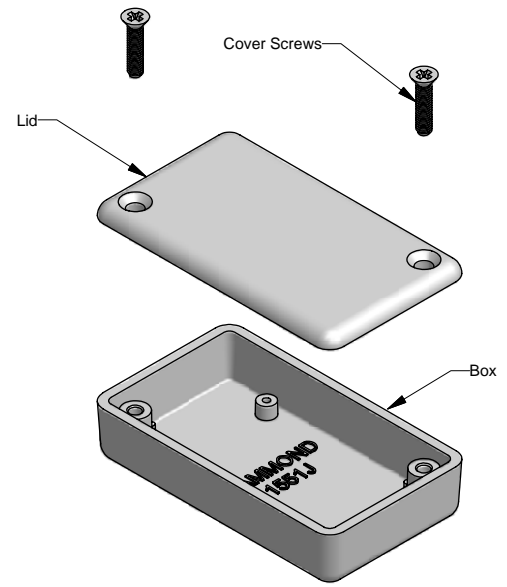
Top View of Assembly



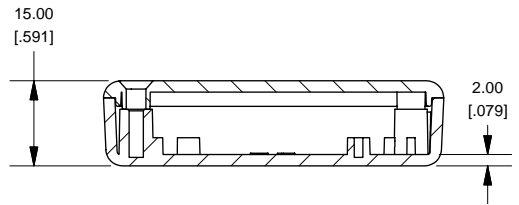
SECTION A-A End View of Assembly



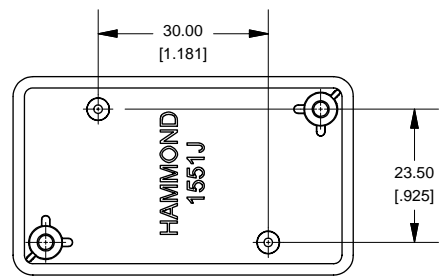
1551J (Basic)



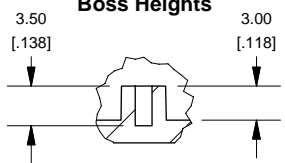
SECTION B-B Side View of Assembly



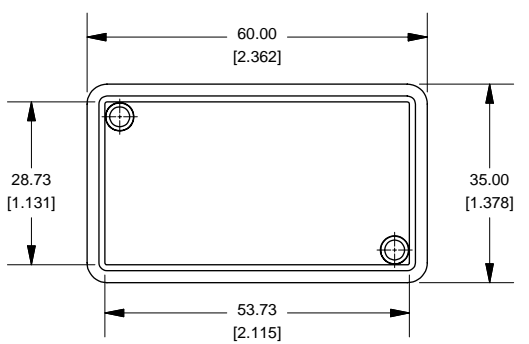
Top View Looking Inside Box



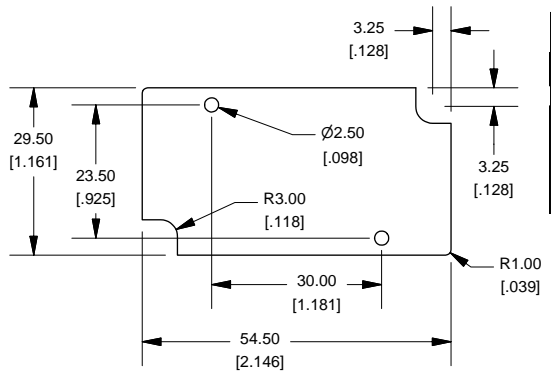
SECTION C-C Boss Heights



Lid



Maximum P.C. Board Size



NOTE	
Purchased assembly includes lid and box made from GP ABS material and cover screws.	
1551J	
1551J Enclosure	
Black Enclosure - RAL 7011	1551JBK
Gray Enclosure - RAL 7035	1551JGY
ACCESSORIES	
Black Enclosure Cover Screws (Pkg 100) [#4 X 1/2" Self Tapping]	1591TS100BK
Gray Enclosure Cover Screws (Pkg 100) [#4 X 1/2" Self Tapping]	1591TS100
P.C. Board Screws [#2 X 3/16" Self-Tapping]	1551ATS100 (Pkg 100)

