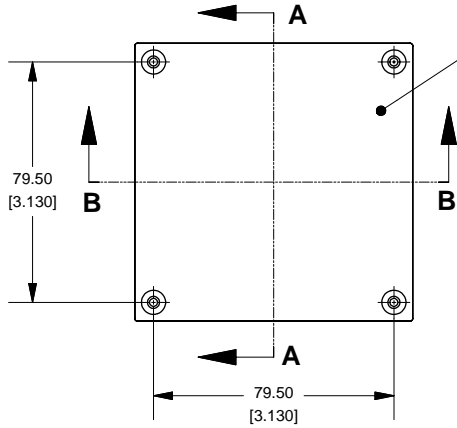
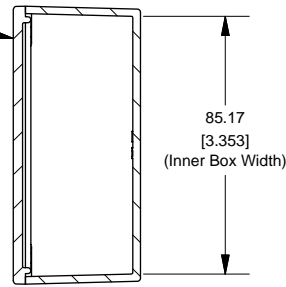


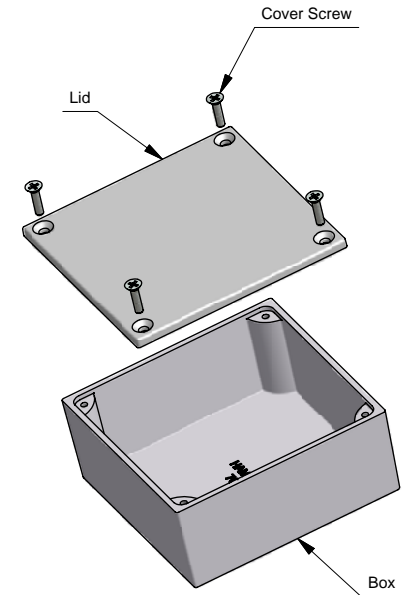
Top View of Assembly



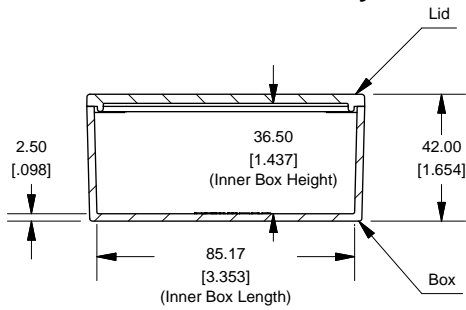
SECTION A-A End View of Assembly



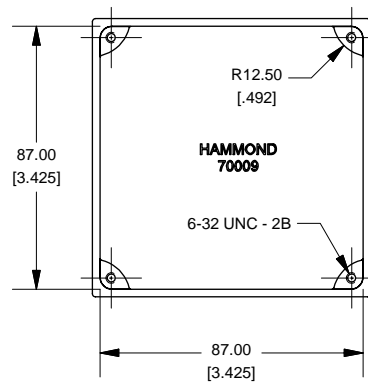
Series 1590Y



SECTION B-B Side View of Assembly



Top View Looking Inside Box



NOTE
Purchased assembly includes box, lid and 4 cover screws.
Box and lid are made from Diecast Aluminum Alloy (alloy type 360.1).

PART NUMBERS	
1590Y Enclosure	
Unfinished	1590Y
Black Textured Powder Paint	1590YBK
1590Y Liquid Resistant Enclosure (Silicon Factory Installed Gasket)	
Unfinished	1590WY
Black Textured Powder Paint	1590WYBK
ACCESSORIES	
Unfinished	
Cover Screws (Pkg 100) [6-32 x 1/2" Nickel Plated Screws]	1590MS100
Black Textured Powder Paint	
Cover Screws (Pkg 50) [6-32 x 1/2" Stainless Steel Black Screws]	1590MS50BK

Lid

