

## MAXIMUM FLOW AIR HEATERS

### For Low Pressure, High Flow Air Heating

#### AHF Series



- ✓ 4" OD Mounting Flange
- ✓ Air Flows Up To 200 CFM\*
- ✓ Exit Air Temperatures up to 315°C (600°F)
- ✓ Post Terminals Junction Box

#### APPLICATIONS

The AHF series maximum flow air heaters are used with blowers or recirculating air in baking, drying, and preheating applications.

This air heater is designed with a 60 mm (2 3/8") OD aluminum tube and a cross frame heating element for minimum resistance to air flow. The nickel-chrome heating element is insulated by ceramic beads on a stainless steel support frame which is firmly secured to the inside of the tube. Post terminals enclosed in a junction box simplify the wiring. A 102 mm (4") round flange with pre-drilled holes at the inlet side are used for mounting the heater. It has a practical operating range of up to 200 CFM with temperatures up to 315°C (600°F).

Calculate the flow rate, temperature rise, or power requirement as follows:

$$\text{Watts} = \text{SCFM} \times \Delta T / 3$$

$$\text{SCFM} = \text{Standard Cubic Feet Per Minute}$$

$$\Delta T = \text{Temperature Rise in Degrees F from the Inlet to the Outlet}$$

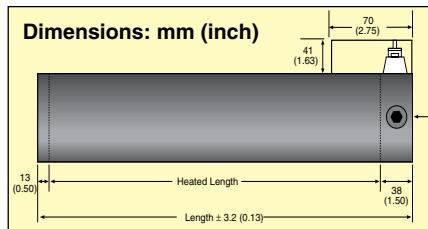
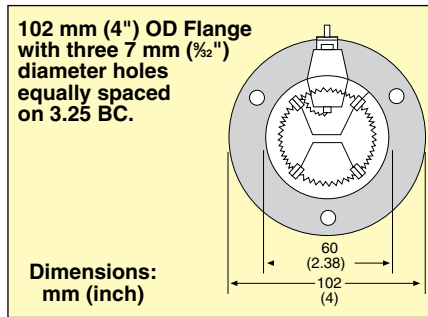
Minimum flow rates are given in the table to right.

#### SPECIFICATIONS

- Maximum Amperage:** 15
- Cross Sectional Flow Area:** 3.5 square inches
- Threaded Terminals:** 6-32



Nickel-Chrome Heating Element Insulated with Ceramic Beads



AHF-10120 shown smaller than actual size.



CFM	Max Watts/Linear Inch of Heated Length
1	150
2	150
4	150
6	150
8	150
10	150
20	175
30	275
40	350
50	450
60	525

To Order							
Model Number	Volts	Watts	Heated Length mm (inch)	Watts/Inch**	Maximum CFM	Length mm (inch)	Weight kg (lb)
<b>120 Vac Models</b>							
AHF-06120	120	600	102 (4)	150	200	152 (6)	0.23 (0.5)
AHF-10120	120	1000	203 (8)	125	200	254 (10)	0.57 (1.25)
<b>120/240 Vac Models*</b>							
AHF-12240	120	375	254 (10)	38	200	305 (12)	0.68 (1.5)
	240	1500	254 (10)	150	200		
AHF-14240	120	500	305 (12)	42	200	356 (14)	0.79 (1.75)
	240	2000	305 (12)	166	200		

\* These air heaters can be operated on either 120 or 240 Volts. Specifications are given for operation on both 120 and 240 Volts.

\*\* Indicates watts per inch of heated length. Use the table above to determine minimum required flow rates. The watts per inch of heated length can be changed by reducing the operating voltage or by ordering a custom made heater. Stainless steel construction also available. Consult Engineering.

Ordering Example: AHF-12240, air heater, 240 Vac, 1500 W.