

## Professional Power Tools

## Cordless Tools

## 14.4-V System (Compact Power)

▶ GSR 14.4 VE-2

▶ GSB 14.4 VE-2

▶ GSR 14.4 V

▶ GDR 14.4 V

▶ GDS 14.4 V

▶ GHO 14.4 V

▶ GLI 14.4 V

▶ GST 14.4 V

▶ GWS 14.4 V

▶ 18-V System (Allround Power)

▶ 24-V System (Max Power)

▶ Cordless Rotary Hammers

▶ Cordless Drill/Drivers (Heavy Duty)

▶ Cordless Drill/Drivers (Standard Duty)

▶ Cordless Planers

▶ Cordless Circular Saws

▶ Cordless Torches

▶ Cordless Li-Ion Screwdrivers

▶ Cordless Sabre Saws

▶ Cordless Combis

▶ Cordless Impact Driver

▶ Cordless Jigsaws

▶ Cordless Angle Grinders

▶ Radio Chargers

▶ 14.4 V Power Sets

▶ 18 V Power Sets

▶ 24 V Power Sets

▶ Drills &amp; Impact Drills

▶ Screwdrivers &amp; Impact Wrenches

▶ Rotary Hammers &amp; Demolition Hammers

▶ Diamond Technology

▶ Angle Grinders &amp; Metalworking

▶ Sanders &amp; Planers

## GSR 14.4 VE-2 Professional

NEW



Enlarge

## Heavy-Duty Cordless Drill/Driver GSR 14.4 VE-2

## Powerful and robust. For medium to large screw and drilling diameters

- Powerful: high transmission of torque due to newly developed 2-speed planetary gearbox with metal gear wheels for powerful drilling and screwdriving
- Extremely robust: fully functional, even after falling from a height of 2 m onto concrete thanks to the "Dura Shield" housing
- Long lifetime and overload capability due to the new, unique Bosch high-performance motor and the world's first air-cooled gearbox

## Other features

- Progressively increasing torque enables fine adjustment to any size of screw
- Newly developed Auto-Lock drill chuck with high clamping force for screwdriver bits and drill bits
- Ergonomically shaped handle with comfort zone in the softgrip area for a secure hold and fatigue-free working
- Changeable carbon brushes
- 25 torque settings + drill setting

## Service



▶ Accessories

▶ Product comparison

BOSCH



▶ Operating instructions

## Quick search

Start search

▶ Advanced search

▶ Tips for searching

## Technical details

## GSR 14.4 VE-2 Professional

## Technical data

Torque, max. (hard screwdriving applications): 72 Nm

No-load speed, 1st gear: 0 – 450 rpm

No-load speed, 2nd gear: 0 – 1.720 rpm

Torque, max. (soft screwdriving applications): 30 Nm

Chuck jaw width, min./max.: 1,5 / 13 mm

Drill spindle thread: 1/2"

Battery voltage: 14,4 V

Weight including battery, approx.: 2,50 kg

Keyless chuck: 13 mm

Charging time, approx.: 30 min

Torque settings: 25+1

Length: 252,0 mm

- ▶ Routers
- ▶ Saws
- ▶ Bench-mounted tools
- ▶ Digital Measuring Tools
- ▶ Dust Extraction Systems, Heat Guns & Glue Guns

**Comes complete with:**

- Quick Charger AL 1450 DV (2 607 224 704)
- 2 x 2.6 Ah NiMH batteries (2 607 335 686)
- Carrying case (2 605 438 596)
- Keyless chuck (2 608 572 247)

**Drill chuck, version:** Keyless chuck

**Part No.:** 0 601 993 H70

**Comes complete with:**

- Quick Charger AL 1450 DV (2 607 224 704)
- 2 x 3.0 Ah NiMH batteries (2 607 335 694)
- Carrying case (2 605 438 596)
- Keyless chuck (2 608 572 247)

**Drill chuck, version:** Keyless chuck

**Part No.:** 0 601 993 H71

**Comes complete with:**

- Quick Charger AL 1450 DV (2 607 224 704)
- 3 x 2.6 Ah NiMH batteries (2 607 335 686)
- Carrying case (2 605 438 596)
- Keyless chuck (2 608 572 247)

**Drill chuck, version:** Keyless chuck

**Part No.:** 0 601 993 H72

▶ Compare with similar products

▶ Recommend product



Height: 262,0 mm

**Drilling diameter**

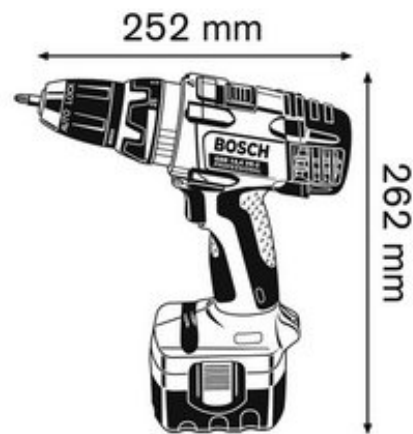
Max. drilling diameter in wood:  
45 mm

Max. drilling diameter in steel:  
13 mm

**Screw diameter**

Max. screw diameter: 10 mm

**Dimensional drawing**



[▲ To top of page](#)