

# 638-833

SKY ELECTRONIC SUPPLIES LTD.

Unit 1, Shefford Business Park

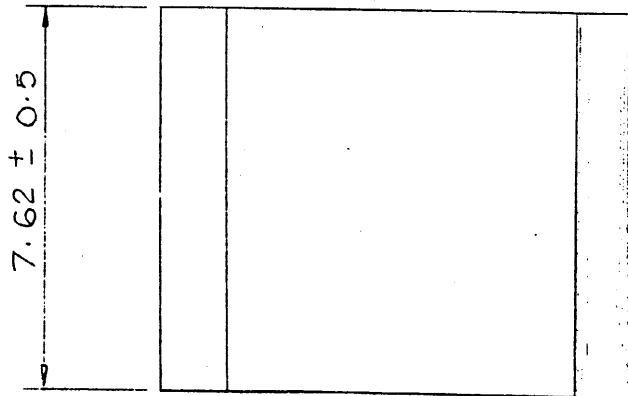
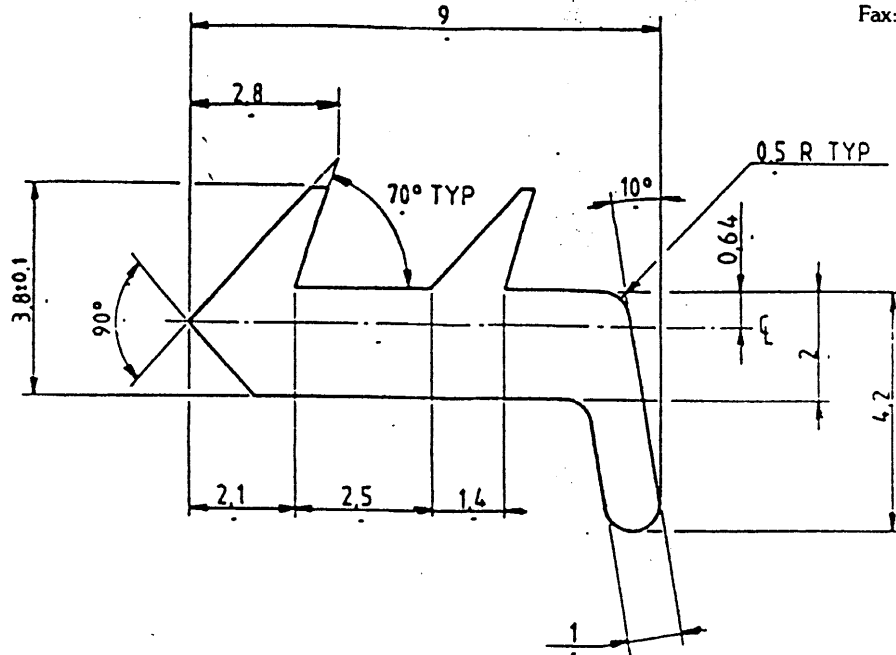
Clifton Road

Shefford

Beds. SG17 5AA

Tel: (01462) 814798

Fax: (01462) 814873



**NOTE**

**END PLUG TO BE ANTI-STATIC TREATED (DIPPED).**

GENERAL TOLERANCE ± 0.5

300 WIDE SOIC PLUG

ALL UNSPECIFIED TOLERANCES ANGLES ± 1° 0.0 ± 0.50 0.00 ± 0.25 0.000 ± 0.10

REVISIONS

2. NOTE PROCD. MOD NO 0254

Issue No. /

Colour

Date 19.11.89

VARIOUS

**EXTRUDED PRODUCTS**  
A DIVISION OF ITW LIMITED  
WEST HAM INDUSTRIAL ESTATE/GRAFTON WAY/  
BASINGSTOKE/HANTS/RG22 6HY/  
TEL: (0256) 466772/TLX: 859088/  
TELEFAX (0256) 464777

P.R. No.

8994

Des.

CUS

Drn.

JO

Date

19.11.89

Chk.

Area

Sq. mms.

Wt.

Kg./M

Matl.

EVOPRENE

NAME

16-28 SOIC PLUG

SCALE 7:1

ALL DIMS  
IN mms.



TOOL REF.

PART  
No.

4

89

5067

01

THIS DOCUMENT IS CONFIDENTIAL AND OUR PROPERTY IT MUST NOT BE COPIED OR SHOWN TO OTHERS WITHOUT THE WRITTEN PERMISSION OF SKY ELECTRONIC SUPPLIES LTD.