

TL9320 SERIES TACT SWITCH

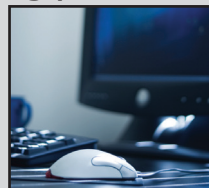
ANTI-VANDAL SWITCHES
 DETECTOR SWITCHES
 DIP SWITCHES
 KEYLOCK SWITCHES
 NAVIGATION SWITCHES
 PUSHBUTTON SWITCHES
 ROCKER SWITCHES
 ROTARY SWITCHES
 SLIDE SWITCHES
 SNAP ACTION SWITCHES
TACTILE SWITCHES
 TOGGLE SWITCHES
 CAP OPTIONS



APPLICATIONS / MARKETS



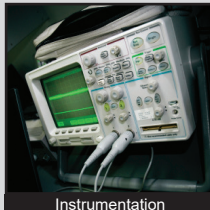
Wearable Electronics



Computer Peripherals



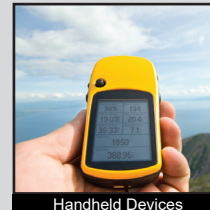
Consumer Electronics



Instrumentation



Telecommunication



Handheld Devices

RoHS

SPECIFICATIONS

Contact Arrangement: SPST
Contact Rating: 16VDC, 50mA
Contact Resistance: >100mOhms
Insulation Resistance: <100MOHMS @ 100VDC
Dielectric Strength: 250VAC
Operation Life: 500,000 Cycles
Operating Temperature: -20°C to +70°C
Storage Temperature: -30°C to +80°C
Moisture Protection: IP67
Travel: 0.9mm
Actuation Force: 400gf

FEATURES & BENEFITS

- SPST contact arrangement
- 8.4mm (W) x 8.4mm (L) x 3.95mm (H) dimensions
- Up to 500,000 cycle life expectancy
- IP67 moisture protection

PART NUMBER CONFIGURATOR

Series	Model	Actuator Option	Actuation Force	Contact Material	Termination
<input type="text" value="TL"/>	<input type="text" value="9320"/>	<input type="text" value="A - 3.95mm"/>	<input type="text" value="F400 - 400gf"/>	<input type="text" value="Q - Silver"/>	<input type="text" value="G - Gullwing"/>

Specifications subject to change without notice 8.21.2019



E-SWITCH®

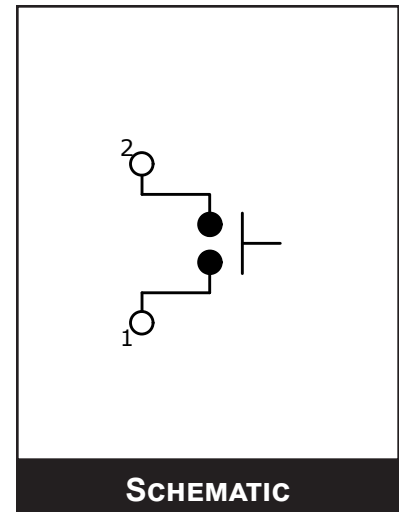
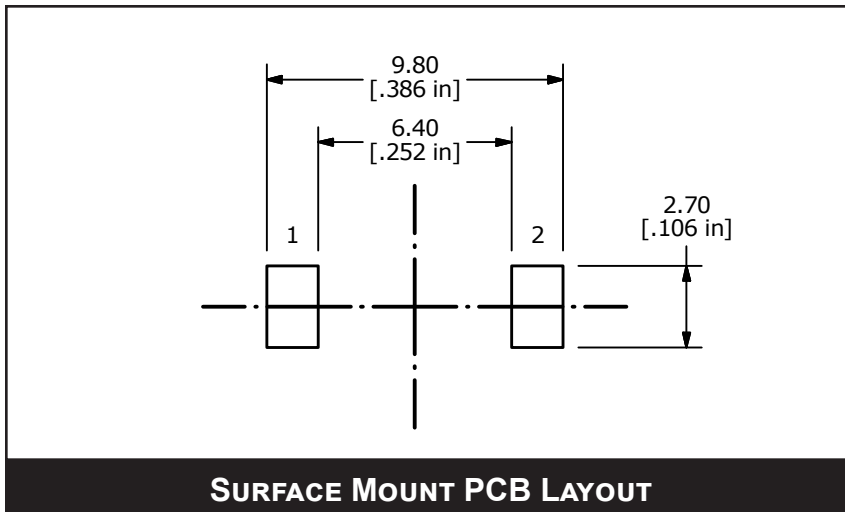
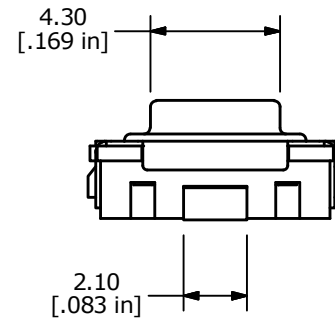
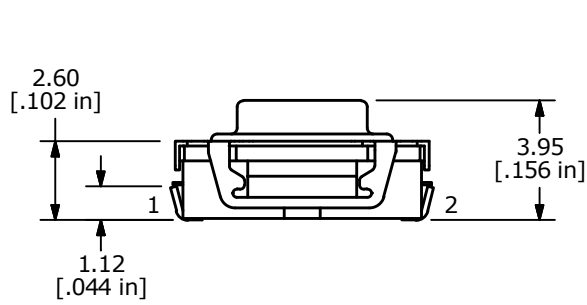
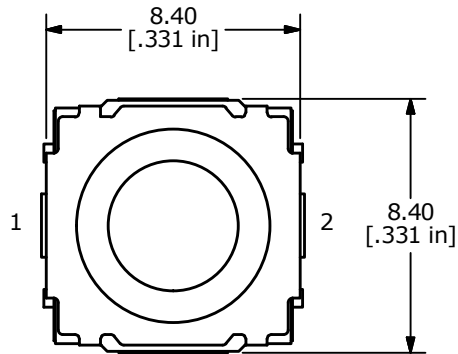
www.e-switch.com

800.867.2717

1

TL9320 SERIES TACT SWITCH

BODY DIMENSIONS



- ANTI-VANDAL SWITCHES
- DETECTOR SWITCHES
- DIP SWITCHES
- KEYLOCK SWITCHES
- NAVIGATION SWITCHES
- PUSHBUTTON SWITCHES
- ROCKER SWITCHES
- ROTARY SWITCHES
- SLIDE SWITCHES
- SNAP ACTION SWITCHES
- TACTILE SWITCHES**
- TOGGLE SWITCHES
- CAP OPTIONS

