

# Shaft-Mounted Cup Brushes Record and Alpha

**Record:** Record shaft-mounted cup brushes are available with crimped wire in various qualities. Ideal for work on large surfaces with electrical and pneumatic tools.

**Fill types: RECORD**

**STD** – Steel wire, natural hard, crimped.

**INOX** – Stainless steel wire, acid resistant, crimped.

**MES** – Brass wire (Cu-Zn), crimped.

**Applications:**

Removal of rust, paint and other surface contaminants to produce a clean surface finish on all types of metal.

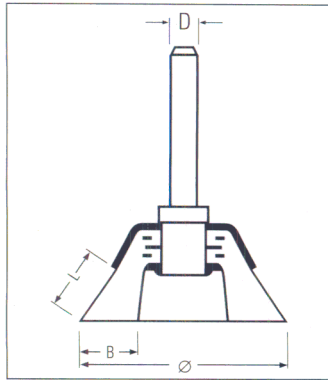
**Alpha:**

Heat-resistant polyamide filaments, impregnated, with 20–40% abrasive grit will provide a consistent grinding action and extremely long service life.

**Fill type: ALPHA**

**ANS** – ANDERLON abrasive filaments, silicon-carbide grit, crimped.

**Applications:** Surface deburring and the production of matt and satin finishes.



## Shaft-Mounted Cup Brushes Record



Wear eye protection!

## Schafttopfbürsten Record

Dimensions/ Abmessungen				RPM/ UPM	Type	0.15 STD	0.20 STD	0.30 STD	0.15 INOX	0.20 INOX	0.30 INOX
∅	B	L	D	max.		Art.-No.	Art.-No.	Art.-No.	Art.-No.	Art.-No.	Art.-No.
40 (1 1/2")	10	15	6	10500	<b>T 08402 S</b>	9472.0205	9472.0305	9472.0505	9472.4205	9472.4305	9472.4505
50 (2")	10	20	6	10500	<b>T 08502 S</b>	9472.0207	9472.0307	9472.0507	9472.4207	9472.4307	9472.4507
	50	20	6	10500	<b>TV 08502 S</b>	9901.0058	9901.0052	9901.0053	9901.0036	9901.0056	9901.0085
60 (2 3/8")	15	20	6	4500	<b>T 1602 S</b>	9482.0209	9482.0309	9482.0509	9482.4209	9482.4309	9482.4509
	60	20	6	4500	<b>TV 1602 S</b>	9901.0385	9901.0251	9901.0062	9901.0061	9901.0225	9901.0106
70 (2 3/4")	15	25	6	4500	<b>T 1702 S</b>	9482.0211	9482.0311	9482.0511	9482.4211	9482.4311	9482.4511
	70	25	6	4500	<b>TV 1702 S</b>	9901.0566	9901.0090	9901.0054	9901.0567	9901.0214	9901.0070

## Shaft-Mounted Cup Brushes Record



Wear eye protection!

## Schafttopfbürsten Record

Dimensions/ Abmessungen				RPM/ UPM	Type	0.15 MES	0.20 MES	0.30 MES
∅	B	L	D	max.		Art.-No.	Art.-No.	Art.-No.
40 (1 1/2")	10	15	6	10500	<b>T 08402 S</b>	9472.6205	9472.6305	9472.6505
50 (2")	10	20	6	10500	<b>T 08502 S</b>	9472.6207	9472.6307	9472.6507
	50	20	6	10500	<b>TV 08502 S</b>	9901.0568	9901.0383	9901.0215
60 (2 3/8")	15	20	6	4500	<b>T 1602 S</b>	9482.6209	9482.6309	9482.6509
	60	20	6	4500	<b>TV 1602 S</b>	9901.0569	9901.0571	9901.0572
70 (2 3/4")	15	25	6	4500	<b>T 1702 S</b>	9482.6211	9482.6311	9482.6511
	70	25	6	4500	<b>TV 1702 S</b>	9901.0570	9901.0384	9901.0573