

Sample set - SAMPLE DMC 0,5/ 7-G1-2,54 SMD - 1859848

Please be informed that the data shown in this PDF Document is generated from our Online Catalog. Please find the complete data in the user's documentation. Our General Terms of Use for Downloads are valid (<http://phoenixcontact.com/download>)

PCB headers, nominal current: 6 A, rated voltage (III/2): 160 V, Nominal cross section: 0.5 mm², number of positions: 7, pitch: 2.54 mm, color: black, contact surface: Gold, mounting: SMD soldering, Pin layout: Linear pad geometry, solder pin [P]: 2 mm




The figure shows a 10-pos. version with 20 contacts

Your advantages

- ✓ Gold-plated contacts ensure transfer quality remains stable over the long term
- ✓ Designed for integration into the SMT soldering process
- ✓ Conductor connection on several levels enables higher contact density
- ✓ Integrated solder anchors reduce the mechanical strain on the soldering spots
- ✓ Small component size for applications where space is at a premium
- ✓ Supplied in tape-on-reel packing according to IEC 60286-3 for automated mounting



Key Commercial Data

Packing unit	1 pc
Minimum order quantity	5 pc
GTIN	 4 055626 113203
GTIN	4055626113203
Custom tariff number	85366930
Country of origin	Germany

Technical data

Dimensions

Length [l]	12.26 mm
Width	18.28 mm
Pitch	2.54 mm

Sample set - SAMPLE DMC 0,5/ 7-G1-2,54 SMD - 1859848

Technical data

Dimensions

Dimension a	15.24 mm
Width [w]	18.28 mm
Height [h]	11.39 mm
Height	9.39 mm
Length of the solder pin	2 mm
Pin dimensions	0.64 x 0.64 mm
Pin spacing	2.54 mm
Length	12.26 mm

General

Range of articles	DMC 0,5/...G1-SMD
Insulating material group	IIIa
Rated surge voltage (III/3)	2.5 kV
Rated surge voltage (III/2)	2.5 kV
Rated surge voltage (II/2)	2.5 kV
Rated voltage (III/3)	32 V
Rated voltage (III/2)	160 V
Rated voltage (II/2)	160 V
Connection in acc. with standard	EN-VDE
Nominal current I _N	6 A
Insulating material	LCP
Flammability rating according to UL 94	V0
Color	black
Number of positions	7

Standards and Regulations

Connection in acc. with standard	EN-VDE
Flammability rating according to UL 94	V0

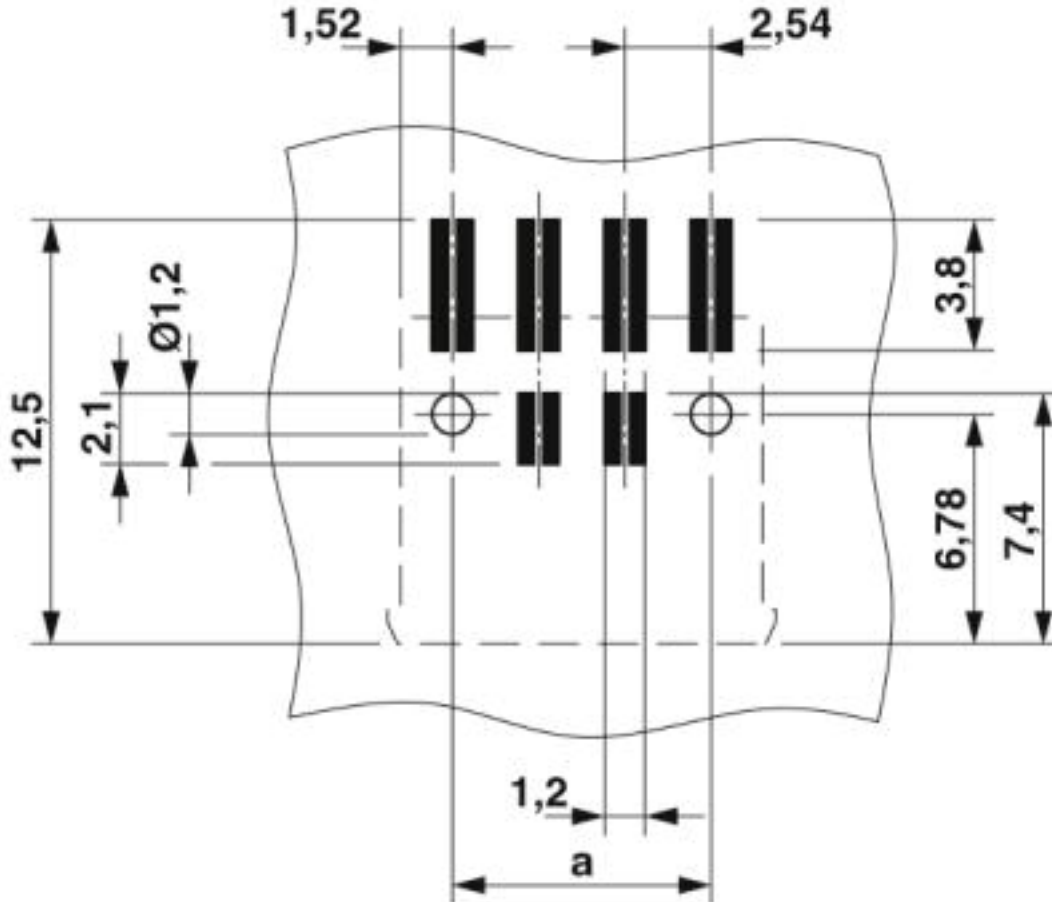
Environmental Product Compliance

China RoHS	Environmentally friendly use period: unlimited = EFUP-e
	No hazardous substances above threshold values

Drawings

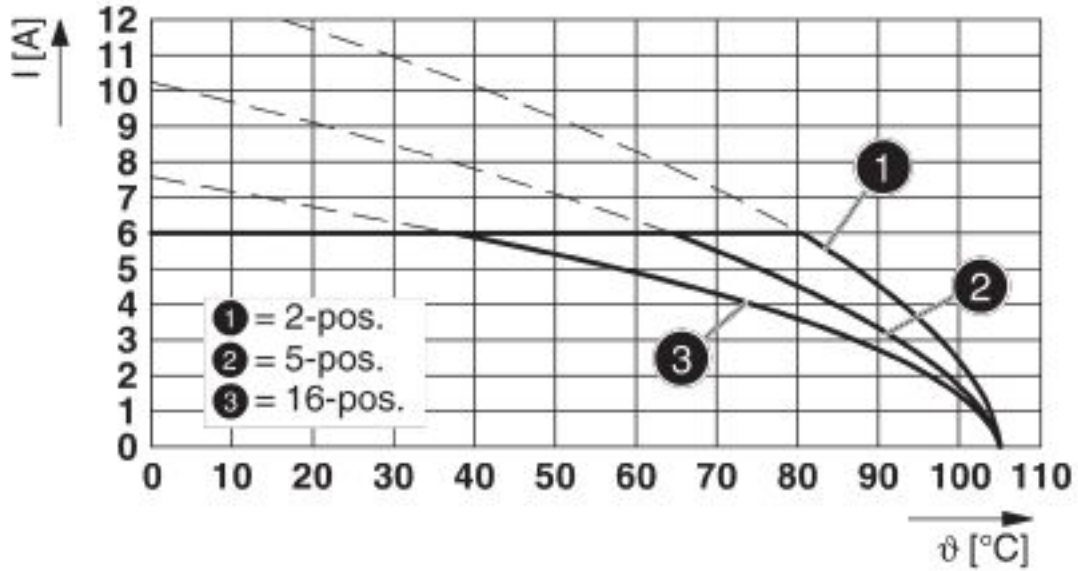
Sample set - SAMPLE DMC 0,5/ 7-G1-2,54 SMD - 1859848

Drilling diagram



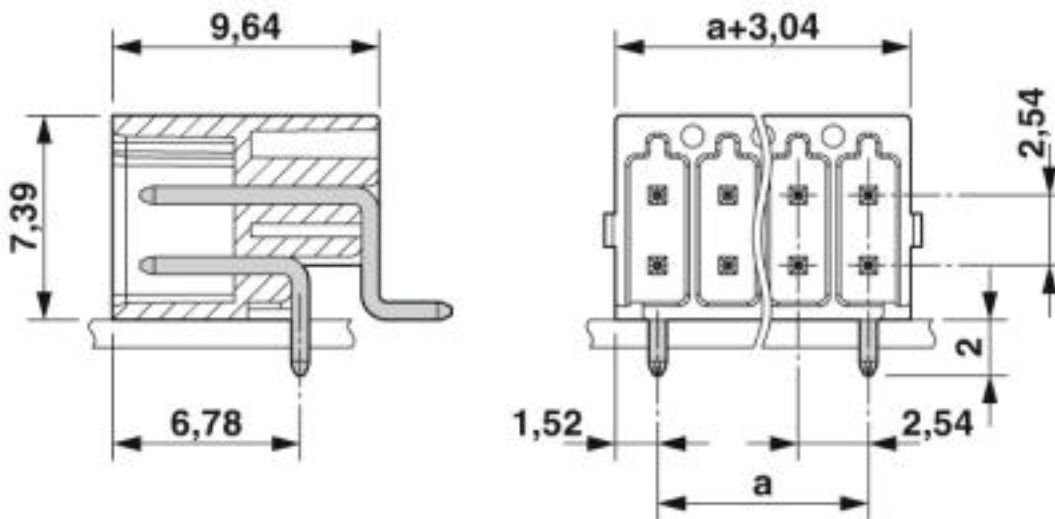
Sample set - SAMPLE DMC 0,5/ 7-G1-2,54 SMD - 1859848

Diagram



Type: DFMC 0,5/...-ST-2,54 with DMC 0,5/...-G1-2,54 SMD R...

Dimensional drawing



Classifications

eCl@ss

eCl@ss 4.0	27260700
eCl@ss 4.1	27260700

Sample set - SAMPLE DMC 0,5/ 7-G1-2,54 SMD - 1859848

Classifications

eCl@ss

eCl@ss 5.0	27260700
eCl@ss 5.1	27260700
eCl@ss 6.0	27260700
eCl@ss 7.0	27440402
eCl@ss 8.0	27440402
eCl@ss 9.0	27440402

ETIM

ETIM 5.0	EC002637
ETIM 6.0	EC002637
ETIM 7.0	EC002637

UNSPSC

UNSPSC 13.2	39121409
UNSPSC 18.0	39121409
UNSPSC 19.0	39121409
UNSPSC 20.0	39121409
UNSPSC 21.0	39121409

Accessories

Accessories

Labeled terminal marker

Marker card - SK 2,54/2,8:FORTL.ZAHLEN - 0804853



Marker card, Card, white, labeled, Horizontal: consecutive numbers 1 ... 10, 11 ... 20, etc. up to 91 ... 99, mounting type: adhesive, for terminal block width: 2.54 mm, lettering field size: 2.54 x 2.8 mm

Additional products

Printed-circuit board connector - DFMC 0,5/ 7-ST-2,54 - 1844620



Plug, nominal current: 6 A, rated voltage (III/2): 160 V, number of positions: 7 with 14 contacts, pitch: 2.54 mm, connection method: spring connection, color: black, contact surface: gold

Sample set - SAMPLE DMC 0,5/ 7-G1-2,54 SMD - 1859848

Accessories

Phoenix Contact 2019 © - all rights reserved
<http://www.phoenixcontact.com>