

Shaft-Mounted Circular Brushes Record

Record shaft-mounted circular brushes are produced from crimped wire in various qualities. They are ideal for use in power drills, on flexible shafts, in pneumatic grinders and in bench machines.

Fill types: RECORD

STD – Steel wire, natural hard, crimped.

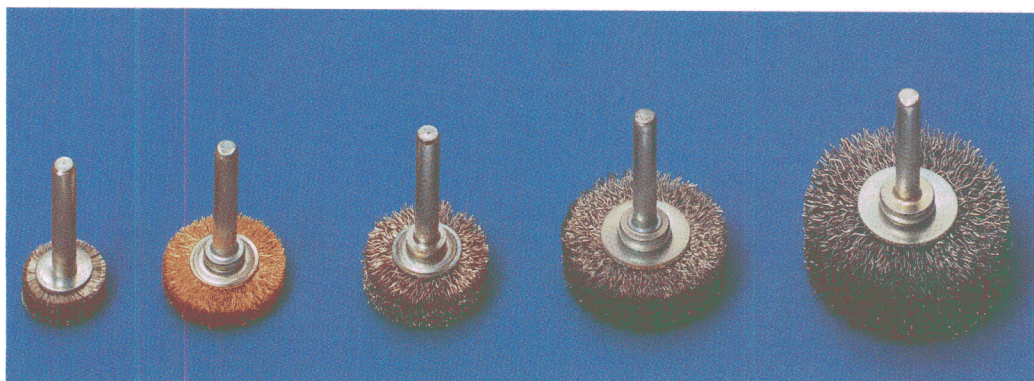
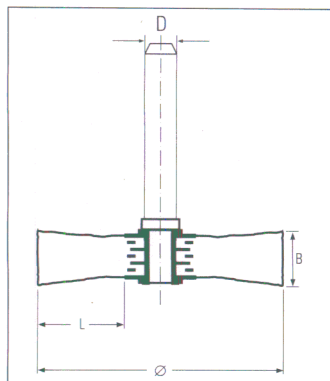
INOX – Stainless steel wire, acid resistant, crimped.

MES – Brass wire (Cu-Zn), crimped.

Applications:

Preparation of all kinds of surfaces, especially at hard-to-reach areas.

For smoothing, trimming of casting joints and rubber to metal bonded parts, light deburring work and the removal of corrosion and paint.



Shaft-Mounted Circular Brushes Record



Wear eye protection!

Schaftrundbürsten Record

Dimensions/ Abmessungen	B	L	D	RPM/ UPM	Type	Shaft-Mounted Circular Brushes Record			
						0.15 STD	0.20 STD	0.30 STD	0.50 STD
mm	mm	mm	mm	max.	Art.-No.	Art.-No.	Art.-No.	Art.-No.	
20 (3/4")	4	3	6	20000	03202 S	9532.0220	9532.0320	-	-
30 (1 1/4")	6	6,5	6	20000	05302 S	9552.0230	9552.0330	9552.0530	9552.0830
	9	6,5	6	20000	05303 S	9553.0230	9553.0330	9553.0530	9553.0830
	12	6,5	6	20000	05304 S	9554.0230	9554.0330	9554.0530	9554.0830
40 (1 1/2")	9	9	6	18000	08402 S	9582.0240	9582.0340	9582.0540	9582.0840
	13,5	9	6	18000	08403 S	9583.0240	9583.0340	9583.0540	9583.0840
	18	9	6	18000	08404 S	9584.0240	9584.0340	9584.0540	9584.0840
50 (2")	10	12,5	6	15000	08502 S	9582.0250	9582.0350	9582.0550	9582.0850
	15	12,5	6	15000	08503 S	9583.0250	9583.0350	9583.0550	9583.0850
	20	12,5	6	15000	08504 S	9584.0250	9584.0350	9584.0550	9584.0850
60 (2 3/8")	10	17,5	6	15000	08602 S	9582.0260	9582.0360	9582.0560	9582.0860
	15	17,5	6	15000	08603 S	9583.0260	9583.0360	9583.0560	9583.0860
	20	17,5	6	15000	08604 S	9584.0260	9584.0360	9584.0560	9584.0860
70 (2 3/4")	10	19	6	15000	08702 S	9582.0270	9582.0370	9582.0570	9582.0870
	15	19	6	15000	08703 S	9583.0270	9583.0370	9583.0570	9583.0870
	20	19	6	15000	08704 S	9584.0270	9584.0370	9584.0570	9584.0870
80 (3")	10	19	6	12000	08802 S	9582.0280	9582.0380	9582.0580	9582.0880
	15	19	6	12000	08803 S	9583.0280	9583.0380	9583.0580	9583.0880
	20	19	6	12000	08804 S	9584.0280	9584.0380	9584.0580	9584.0880