

16

1614 21

## Power supply connectors



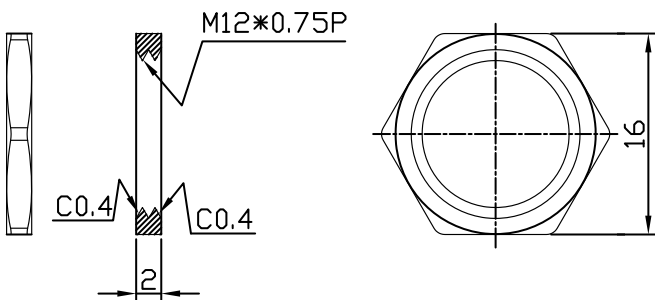
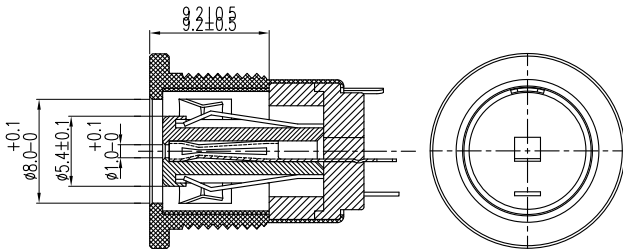
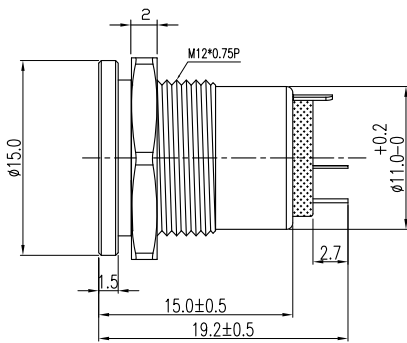
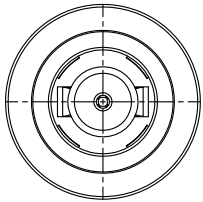
Power supply chassis socket, straight version, for front  
side mounting

3 pole

---

State: New

---



**Environmental conditions**

Temperature range -20 °C/+70 °C

**Materials**

Insulating body PBT GF, V-0 according to UL94  
 Contact CuSn, nickel-plated  
 Housing CuZn, nickel-plated  
 Hexagonal nut CuZn, nickel-plated

**Mechanical data**

Diameter opening 8,0 mm  
 Diameter insulation 5,4 mm  
 Diameter central hole 1,0 mm  
 Mating cycles 5000  
 Insertion force 2,9–29,4 N  
 Withdrawal force 2,9–29,4 N

**Electrical data (at T<sub>amb</sub> 20 °C)**

Contact resistance ≤ 30 mΩ  
 Rated current 10 A  
 Rated voltage 24 V DC  
 Rated impulse voltage 500 V/60 s  
 Insulation resistance ≥ 100 MΩ

**Associated products**

Counterparts  
 ☞ 1636 07

16

1614 21

Designation	Pole Number	PU (Pieces)	MDQ (Pieces)
1614 21	3	200	200

**Packaging:**

in bulk, in a cardboard box or a plastic bag