

**CONNECT AND PROTECT**

**PropacPRO**

  
nvent

**SCHROFF**

# Desk-top cases – PropacPRO

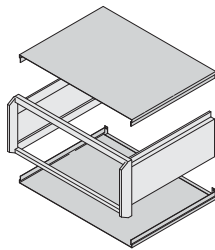
## OVERVIEW

### MAIN KATALOG

- Cabinets . . . . . 1
- Wall mounted cases . . . . . 2
- Accessories for cabinets and wall mounted cases . . . . . 3
- Climate control . . . . . 4
- Electronics cases . . . . . 5
- Subracks/ 19" chassis . . . . . 6
- Front panels, plug-in units . . . . . 7
- Systems . . . . . 8
- Power supply units . . . . . 9
- Backplanes . . . . . 10
- Connectors, front panel component system . . . . . 11
- Appendix . . . . . 12

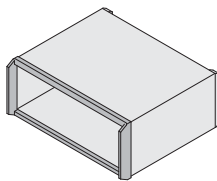


05809001



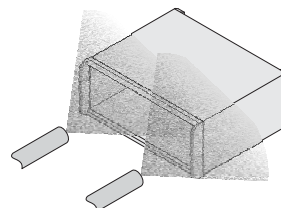
Easy access provided by removable cladding parts

05806052



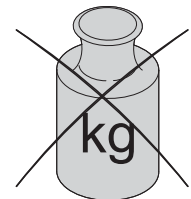
Extremely robust one-piece die-cast frame

05806050



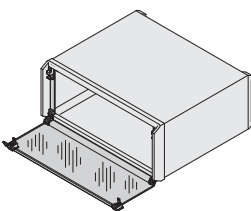
Non-sensitive, scratch-resistant finish through powder coating

05806055



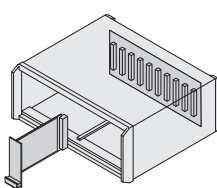
Low weight

05806056



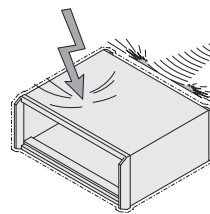
Wide accessory programme with acrylic glass front hoods, carrying handles, ...

05806054



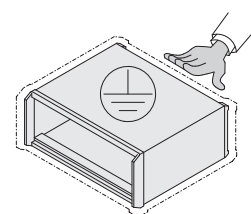
Assembly possibility for euroboards and backplanes

05806053



EMC version

05806051



VDE-compliant GND/earthing

noz44075

## STANDARDS

- Internal dimensions in accordance with IEC 60297-3-101
- Ingress protection IP 20 in accordance with IEC 60529
- EMC test in accordance with VG 95373 part 15
- Protective GND/earth connections in accordance with:
  - DIN EN 50178 / VDE 0160
  - DIN EN 60950 / VDE 0805
  - DIN EN 61010-1 / VDE 0411 part 1
  - DIN EN 61010-1A2 / VDE 0411 part 1/A1

# Desk-top cases – PropacPRO

## OVERVIEW

### ALUMINIUM CASE FOR 19" COMPONENTS TO IEC 60297-3-100 OR INDIVIDUAL ELECTRONICS ASSEMBLIES

- Front frame and side panels in aluminium
- Extensive accessories, matched to portable applications
- Basic level shielding from basic versions up, extended EMC shielding retrofittable
- Design alternative to compacPRO

Overview . . . . 5.44

propacPRO  
 Complete cases 3, 6 U, unshielded/shielded . . . . . 5.46  
 Cases 2, 3 U . . . . . 5.50  
 Cases 4, 6 U . . . . . 5.51  
 Cases for tip-up carrying handle 3, 4 U. . . . . 5.52  
 Dimensions . . . . . 5.53  
 EMC shielding . . . . . 5.55

Accessories  
 Front panels . . . . . 5.54  
 Rear panels . . . . . 5.55  
 Design elements . . . . . 5.58  
 Lateral covers . . . . . 5.59  
 Handles . . . . . 5.60  
 Air filters . . . . . 5.61  
 Hoods . . . . . 5.62  
 Mounting plates . . . . . 5.64  
 GND/earthing kit . . . . . 5.65  
 Cable holder . . . . . 5.65  
 Mounting position horizontal/central rails . . . . . 5.66  
 Horizontal rails . . . . . 5.67  
 Threaded inserts . . . . . 5.68  
 Z-rails, perforated rails . . . . . 5.69  
 Combined mounting . . . . . 5.70  
 Horizontal board assembly . . . . . 5.71  
 Tip-up feet . . . . . 5.72  
 Guide rails and ESD clips . . . . . 5.73  
 Divider plates . . . . . 5.75  
 Air flow barrier . . . . . 5.75

### DESKTOP CASES



- **Complete case (pre-assembled)**
  - Prepared for 19" components to IEC 60297 for installation of euro-boards
  - Basic level shielding from basic versions up, extended EMC shielding retrofittable
  - Height 3 U, 6 U



05809003 05806003

- **Cases**
  - Pre-assembled cases as basis for individual components or 19" components (IEC 60297)
  - Basic level shielding from basic versions up, extended EMC shielding retrofittable
  - Height: 2 U, 3 U, 4 U, 6 U
  - 3 U and 4 U cases prepared for tip-up carrying handle

### ACCESSORIES



05809002

### SERVICEPLUS

e.g. modifications (special colours, special depths, cut-outs in top cover, base plate or side panels)  
 e.g. assembly service from 1 piece

30407004

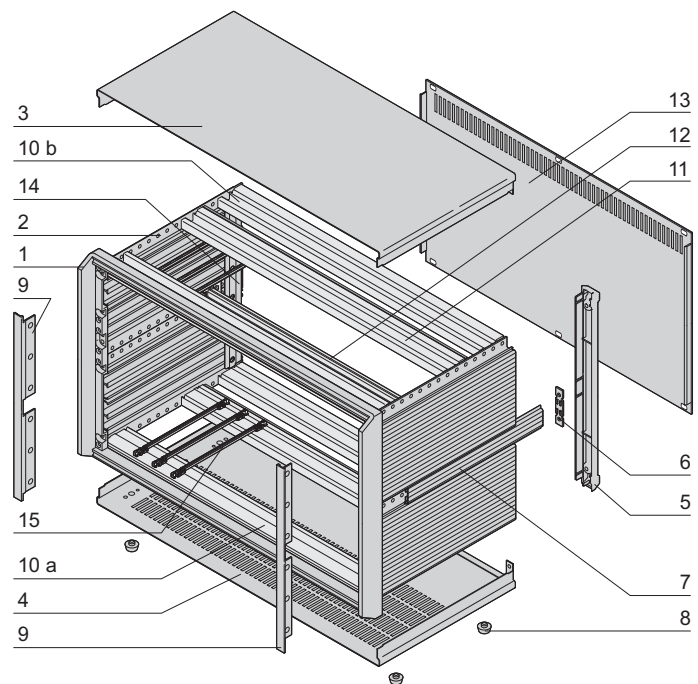
# Desk-top enclosure – PropacPRO

COMPLETE CASE, EMC SHIELDED



3 U

05809004



Maximum mounting depth = D - 45  
(Distance: front panel - rear panel)

05806106

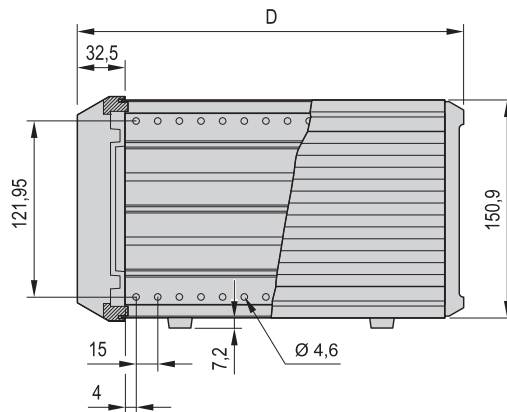
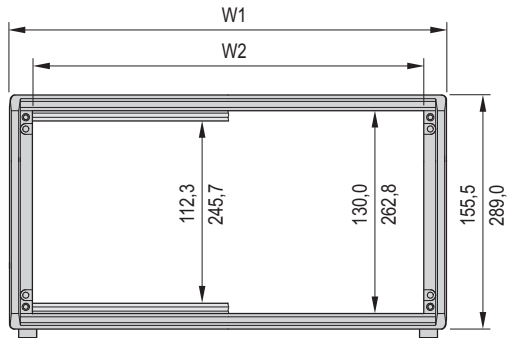
- Desk-top case with pre-configured components, in accordance with IEC 60297-3-101; prepared for 19" components such as plug-in units and euroboards
- Ventilation slots in base plate
- Rear panel with vent slots

**DELIVERY COMPRISES** (Items 1-7, 9 and 10 fitted)

Item	Qty		Description
	3 U	6 U	
1	1	1	Frame, Al die-cast, powder-coated, RAL 7016
2	2	4	Side panel, Al extrusion, powder-coated, RAL 9006, with EMC side panel gasketing
3	1	1	Cover plate, Al, 1 mm, internal surface conductive, visible surface powder-coated, RAL 9006, with GND/earthing tag
4	1	1	Base plate, Al, 1 mm, internal surface conductive, visible surface powder-coated, RAL 9006, with GND/earthing tag, base plate with 4 rows of ventilation slots
5	2	2	End piece for rear, ABS, RAL 7016, UL 94 V-0; can be used as a foot when case is used in vertical position
6	-	2	Adaptor bracket (only at 6 U)
7	-	2	Cover trim for side panel, Al extrusion, powder-coated, RAL 9006
8	4	4	Case foot with anti-slip protection, PC, black, UL 94 V-0
9	2	2	Lateral trim, Al extrusion, visible surface painted, RAL 7016 with EMC sealing (textile)
10a	2	2	Horizontal rail, Al extrusion, with threaded insert, St, M2.5; perforated strip, Al, 1 mm, EMC contact strip between front panel - horizontal rail - cover plate
10b	2	2	Horizontal rail, Al extrusion, with threaded insert, St, M2.5; EMC contact strip between rear panel - horizontal rail - cover plate
11	2	2	Centre horizontal rail top/bottom, Al extrusion, with threaded insert, St, M2.5 and insulation strip, PBT, UL 94 V-0 (for indirect backplane mounting): enclosed loose
12	-	1	Centre horizontal rail, Al extrusion, anodised, conductive surfaces, with two threaded inserts, St, M2.5 and two insulation strips, PBT, UL 94 V-0
13	1	1	Rear panel with perforation, Al, 2.5 mm, anodised, with EMC sealing (textile) affixed
14	2	2	EMC support profile rear, Al extrusion, EMC sealing (textile) affixed
15	10/ 20	10/ 20	Guide rail for 160 mm board length, PBT, UL 94 V-0, 28/ 42 HP 10 pieces, 63/84 HP 20 pieces
16	1	1	GND/earthing kit
17	1	1	Assembly kit

# Desk-top enclosure – PropacPRO

COMPLETE CASES, EMC SHIELDED



3 U

05809051

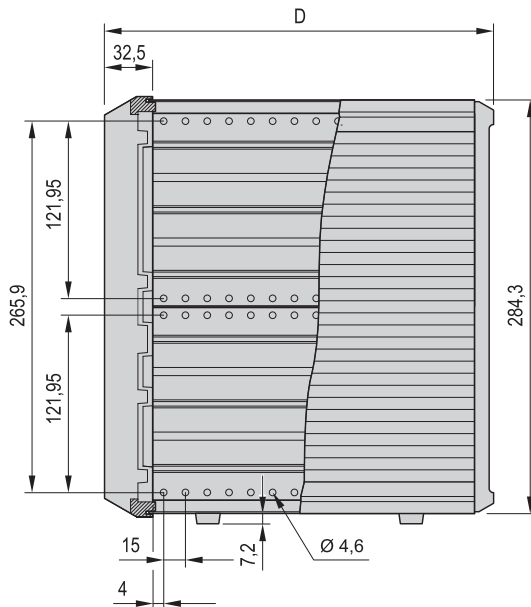
## ORDER INFORMATION

Usable width	Width W1	Depth D	Height	Part no.	
W2	W1	D	U		
HP	mm	mm	mm		
28	147.3	185.9	266	3	<b>24576-101</b>
28	147.3	185.9	326	3	<b>24576-102</b>
42	218.4	257	266	3	<b>24576-103</b>
42	218.4	257	326	3	<b>24576-104</b>
42	218.4	257	386	3	<b>24576-105</b>
63	325.1	363.7	266	3	<b>24576-106</b>
63	325.1	363.7	326	3	<b>24576-107</b>
63	325.1	363.7	386	3	<b>24576-108</b>
84	431.8	470.3	266	3	<b>24576-109</b>
84	431.8	470.3	326	3	<b>24576-110</b>
84	431.8	470.3	386	3	<b>24576-111</b>
84	431.8	470.3	446	3	<b>24576-112</b>
84	431.8	470.3	506	3	<b>24576-113</b>
84	431.8	470.3	326	6	<b>24576-121</b>
84	431.8	470.3	446	6	<b>24576-122</b>

## NOTE

- Dimension drawings of side panel see from page 5.53

05806060

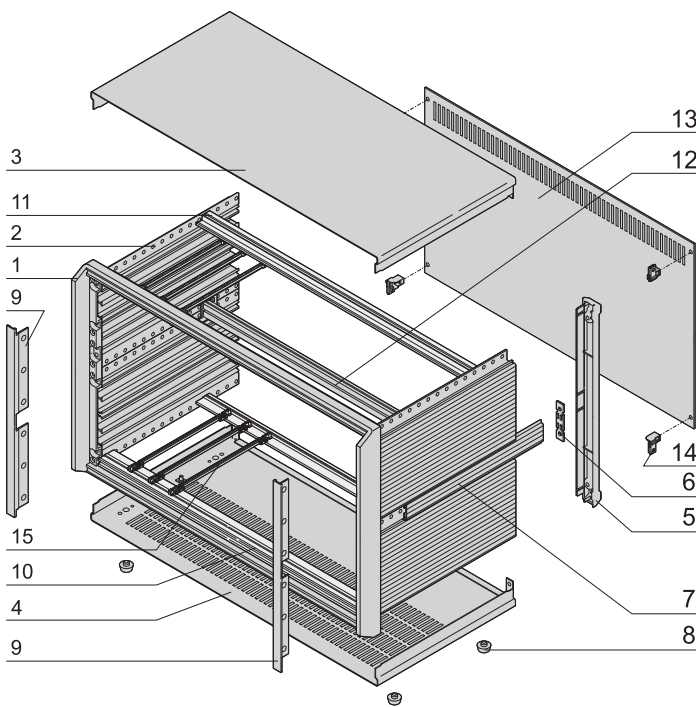


6 U

05806062

# Desk-top enclosure – PropacPRO

COMPLETE CASES, UNSHIELDED



Maximum mounting depth = D - 45  
(Distance: front panel - rear panel)

05806105

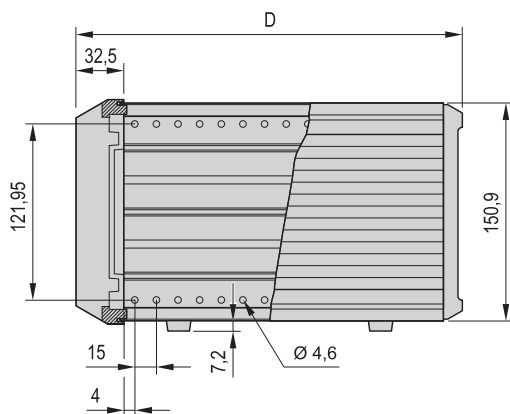
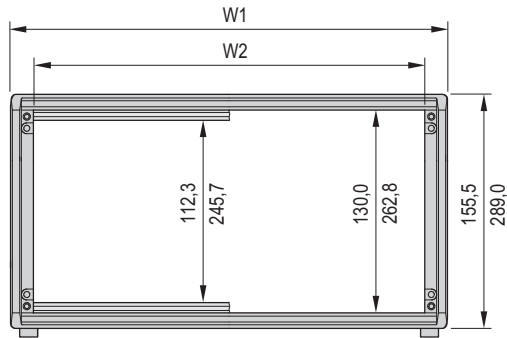
- Desk-top case with pre-configured components, in accordance with IEC 60297-3-101; prepared for 19" components such as plug-in units and euroboards
- Ventilation slots in base plate
- Rear panel perforated

## DELIVERY COMPRISES (Items 1-7, 9 and 10 fitted)

Item	Qty		Description
	3 U	6 U	
1	1	1	Frame, Al die-cast, powder-coated, RAL 7016
2	2	4	Side panel, Al extrusion, powder-coated, RAL 9006
3	1	1	Cover plate, Al, 1 mm, internal surface conductive, visible surface powder-coated, RAL 9006, with GND/earthing tag
4	1	1	Base plate, Al, 1 mm, internal surface conductive, visible surface powder-coated, RAL 9006, with GND/earthing tag, base plate with 4 rows of ventilation slots
5	2	2	End piece for rear, ABS, RAL 7016, UL 94 V-0; can be used as a foot for use in vertical position
6	-	2	Adaptor bracket (only at 6 U)
7	-	2	Cover trim for side panel, Al extrusion, powder-coated, RAL 9006
8	4	4	Case foot with anti-slip protection, PC, black, UL 94 V-0
9	2	2	Lateral trim, Al extrusion, visible surface painted, RAL 7016 with EMC sealing (textile)
10	2	2	Horizontal rail, Al extrusion, with threaded insert, St, M2.5
11	2	2	Rear horizontal rail, Al extrusion, with threaded insert, St, M2.5 and insulation strips, PBT, UL 94 V-0 (for indirect backplane mounting)
12	-	1	Centre horizontal rail, Al extrusion, anodised, conductive surfaces, with two threaded inserts, St, M2.5 and two insulation strips, PBT, UL 94 V-0
13	1	1	Rear panel with perforation, Al, anodised, 2 mm at 28, 42 and 63 HP, 2.5 mm at 84 HP
14	4	4	Support member for rear panel, Zn die-cast
15	10/ 20	10/ 20	Guide rail for 160 mm board length, PBT, UL 94 V-0, 28/42 HP 10 pieces, 63/84 HP 20 pieces
16	1	1	GND/earthing kit
17	1	1	Assembly kit

# Desk-top enclosure – PropacPRO

COMPLETE CASES, UNSHIELDED



05809051

## ORDER INFORMATION

Usable width W2 HP	Width W1 W2 mm	Depth D mm	Height mm U	Part no.	
28	147.3	185.9	266	3	<b>24576-001</b>
28	147.3	185.9	326	3	<b>24576-002</b>
42	218.4	257	266	3	<b>24576-003</b>
42	218.4	257	326	3	<b>24576-004</b>
42	218.4	257	386	3	<b>24576-005</b>
63	325.1	363.7	266	3	<b>24576-006</b>
63	325.1	363.7	326	3	<b>24576-007</b>
63	325.1	363.7	386	3	<b>24576-008</b>
84	431.8	470.3	266	3	<b>24576-009</b>
84	431.8	470.3	326	3	<b>24576-010</b>
84	431.8	470.3	386	3	<b>24576-011</b>
84	431.8	470.3	446	3	<b>24576-012</b>
84	431.8	470.3	506	3	<b>24576-013</b>
84	431.8	470.3	326	6	<b>24576-021</b>
84	431.8	470.3	446	6	<b>24576-022</b>

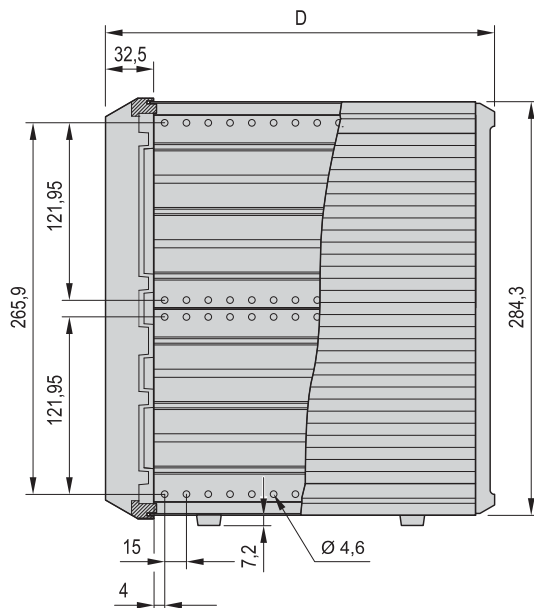
Maximum mounting depth = D - 45  
(Distance: front panel - rear panel)

## NOTE

- Dimension drawings of side panel see from page 5.53

3 U

05806060



6 U

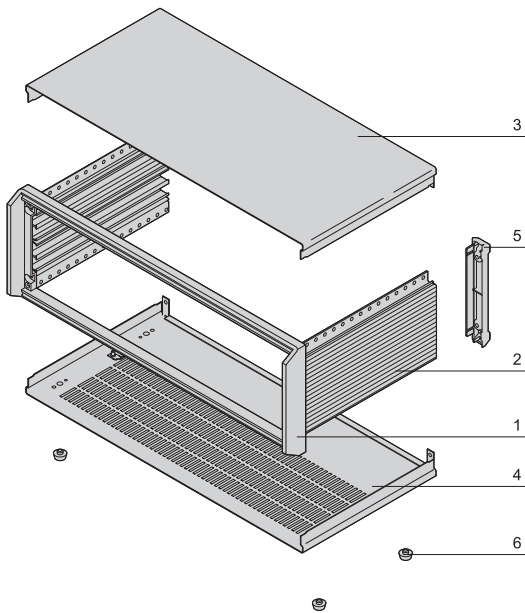
05806062

# Desk-top enclosure – PropacPRO

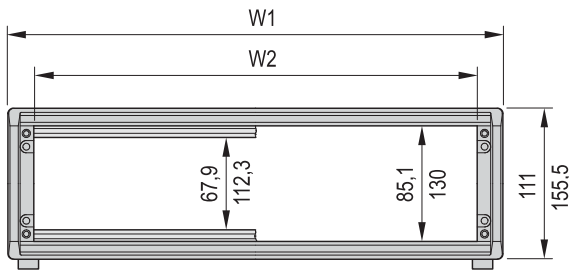
CASES, 2 AND 3 U, UNSHIELDED



05806001

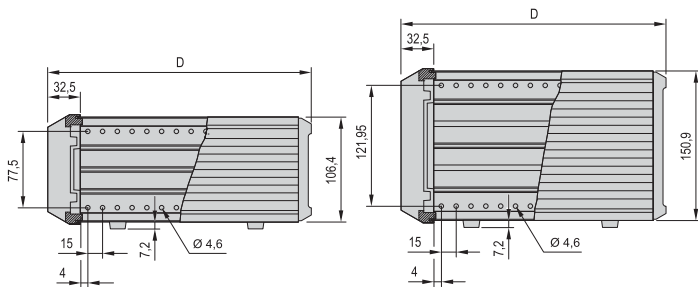


05806057



05806077

Cross-section 2 U, 3 U



2 U

05806059

3 U

05806060

- Desk-top case with pre-configured components, in accordance with IEC 60297-3-101; prepared for 19" components such as plug-in units and euroboards
- Ventilation slots in base plate
- Prepared for GND/earthing

**DELIVERY COMPRISES** (kit, items 1 - 5 fitted)

Item	Qty	Description
1	1	Frame, Al die-cast, powder-coated, RAL 7016
2	2	Side panel, Al extrusion, powder-coated, RAL 9006
3	1	Cover plate, Al, 1 mm, internal surface conductive, visible surface powder-coated, RAL 9006, with GND/earthing tag
4	1	Base plate, Al, 1 mm, internal surface conductive, visible surface powder-coated, RAL 9006, with GND/earthing tag, base plate with 4 rows of ventilation slots
5	2	End piece for rear, ABS, RAL 7016, UL 94 V-0; can be used as a foot for use in vertical position
6	4	Case foot with anti-slip protection, PC, black, UL 94 V-0
7	1	Assembly kit

**ORDER INFORMATION**

Usable width	Width W1	Depth D	2 U	3 U
W2	W2		Part no.	Part no.
HP	mm	mm		
28	147.3	185.9	–	14576-101
28	147.3	185.9	–	14576-103
42	218.4	257	14576-021	14576-121
42	218.4	257	14576-023	14576-123
42	218.4	257	–	14576-125
63	325.1	363.7	14576-041	14576-141
63	325.1	363.7	14576-043	14576-143
63	325.1	363.7	14576-045	14576-145
84	431.8	470.3	–	14576-161
84	431.8	470.3	–	14576-163
84	431.8	470.3	–	14576-165
84	431.8	470.3	–	14576-167
84	431.8	470.3	–	14576-169

**Accessories**

GND/earthing kit Cu wire 1.5 mm<sup>2</sup>, PVC sleeve, green/yellow, links side panels, base, cover and rear panel, PU 1 **21102-001** piece

Maximum mounting depth = D - 45  
(Distance: front panel - rear panel)

**NOTE**

- Case, 3 U with side panel for tip-up carrying handle, see page 5.52
- Dimensions see page 5.48
- Dimensions side panel, see page 5.53



# Desk-top enclosure – PropacPRO

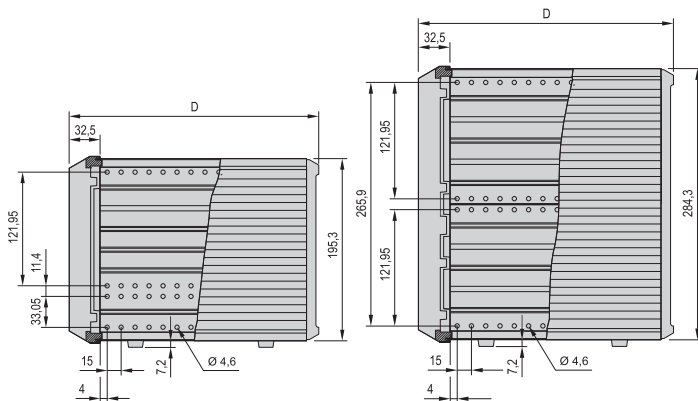
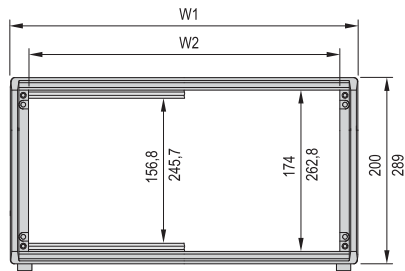
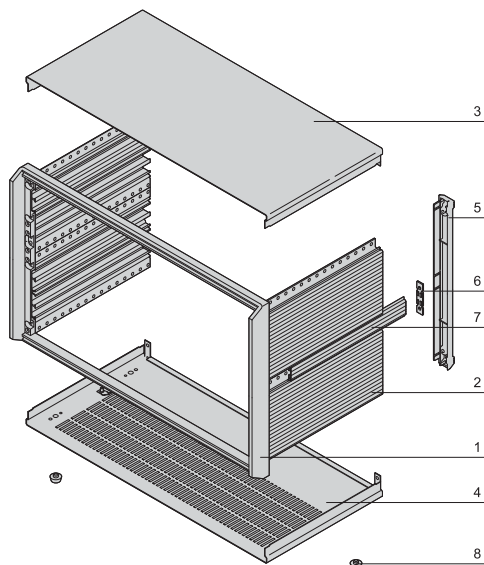
CASES, 4 AND 6 U, UNSHIELDED



- Desk-top case with pre-configured components, in accordance with IEC 60297-3-101; prepared for 19" components such as plug-in units and euro-boards
- Ventilation slots in base plate
- Prepared for GND/earthing

**DELIVERY COMPRISES** (kit, items 1 - 6 fitted)

Item	Qty		Description
	4 U	6 U	
1	1	1	Frame, Al die-cast, powder-coated, RAL 7016
2	2	4	Side panel, Al extrusion, powder-coated, RAL 9006
3	1	1	Cover plate, Al, 1 mm, internal surface conductive, visible surface powder-coated, RAL 9006, with GND/earthing tag
4	1	1	Base plate, Al, 1 mm, internal surface conductive, visible surface powder-coated, RAL 9006, with GND/earthing tag, base plate with 4 rows of ventilation slots
5	2	2	End piece for rear, ABS, RAL 7016, UL 94 V-0; can be used as a foot for use in vertical position
6	–	2	Adaptor bracket, Al
7	2	2	Cover trim for side panel, Al extrusion, powder-coated, RAL 9006
8	4	4	Case foot with anti-slip protection, PC, black, UL 94 V-0
9	1	1	Assembly kit



4 U

05806061

6 U

05806062

**ORDER INFORMATION**

Usable width	Width W1	Depth D	4 U	6 U
			Part no.	Part no.
W2	W2			
HP	mm	mm	mm	
42	218.4	257	266	14576-221 –
42	218.4	257	326	14576-223 –
63	325.1	363.7	266	14576-241 –
63	325.1	363.7	326	14576-243 –
63	325.1	363.7	386	<b>14576-245</b> –
63	325.1	363.7	446	14576-247 –
84	431.8	470.3	326	– 14576-463
84	431.8	470.3	386	14576-265 14576-465
84	431.8	470.3	446	14576-267 14576-467
84	431.8	470.3	506	14576-269 14576-469

**Accessories**

GND/earthing kit Cu wire 1.5 mm<sup>2</sup>, PVC sleeve, green/yellow, links side panels, base, cover and rear panel, PU 1 **21102-001** piece

Maximum mounting depth = D - 45  
(Distance: front panel - rear panel)

**NOTE**

- Case, 4 U with side panel for tip-up carrying handle, see page 5.52
- Dimensions side panel, see page 5.53

# Desk-top enclosure – PropacPRO

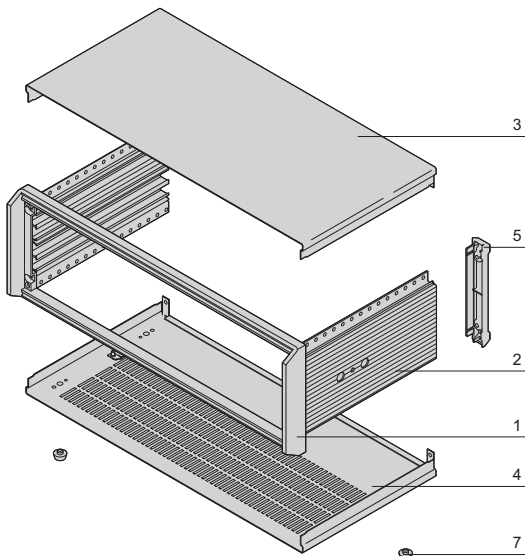
3 U AND 4 U CASES, UNSHIELDED, WITH HOLES FOR TIP-UP CARRYING HANDLE



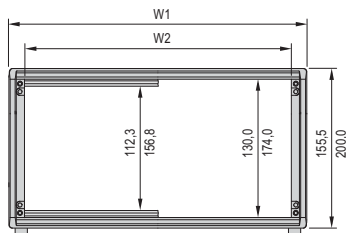
- Desk-top case with pre-configured components, in accordance with IEC 60297-3-101; prepared for 19" components such as plug-in units and euroboards
- Ventilation slots in base plate
- Prepared for GND/earthing
- Prepared for fitting of tip-up carrying handle

**DELIVERY COMPRISES** (kit, items 1 - 6 fitted)

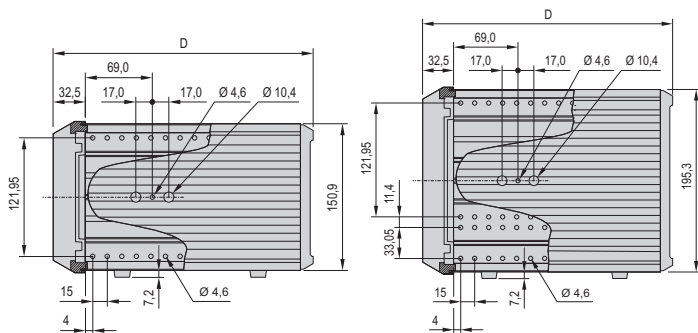
Item	Qty		Description
	3 U	4 U	
1	1	1	Frame, Al die-cast, powder-coated, RAL 7016
2	2	4	Side panel, Al extrusion, powder-coated, RAL 9006; with drill holes for tip-up carrying handle
3	1	1	Cover plate, Al, 1 mm, internal surface conductive, visible surface powder-coated, RAL 9006, with GND/earthing tag
4	1	1	Base plate, Al, 1 mm, internal surface conductive, visible surface powder-coated, RAL 9006, with GND/earthing tag, base plate with 4 rows of ventilation slots
5	2	2	End piece for rear, ABS, RAL 7016, UL 94 V-0; can be used as a foot for use in vertical position
6	–	2	Cover trim for side panel, Al extrusion, powder-coated, RAL 9006
7	4	4	Case foot with anti-slip protection, PC, black, UL 94 V-0
8	1	1	Assembly kit



05812050



05812051



3 U

05812052

4 U

05812053

## ORDER INFORMATION

Usable width	Width W1	Depth D	3 U		4 U	
			W2	HP	Part no.	Part no.
42	218.4	257.0	326	14577-123	14577-223	
42	218.4	257.0	386	14577-125	–	
63	325.1	363.7	326	14577-143	14577-243	
63	325.1	363.7	386	14577-145	14577-245	
84	431.8	470.3	326	14577-163	–	
84	431.8	470.3	386	14577-165	14577-265	

## Accessories

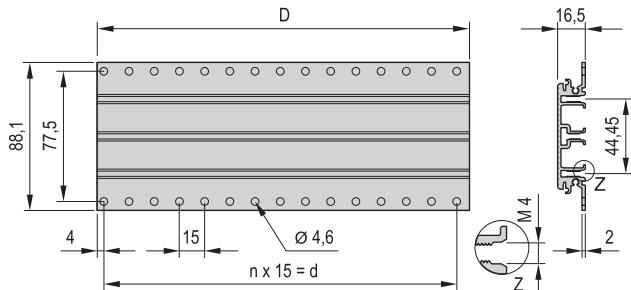
GND/earthing kit Cu wire 1.5 mm <sup>2</sup> , PVC sleeve, green/yellow, links side panels, base, cover and rear panel, PU 1 piece	<b>21102-001</b>
Tip-up carrying handle for 42 HP case width, PU 1 kit	<b>24576-071</b>
Tip-up carrying handle for 63 HP case width, PU 1 kit	<b>24576-072</b>
Tip-up carrying handle for 84 HP case width, PU 1 kit	<b>24576-073</b>

## NOTE

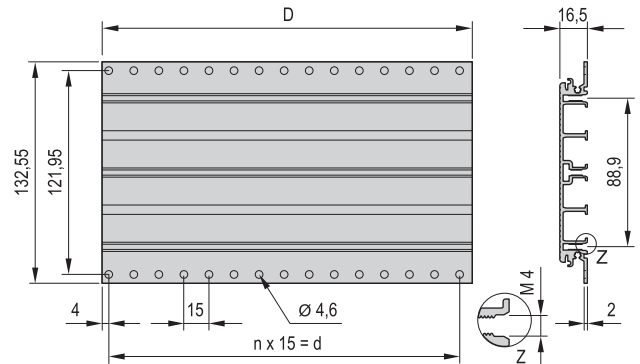
- Dimensions see page 5.48
- Dimensions side panel, see page 5.53

# Desk-top enclosure – PropacPRO

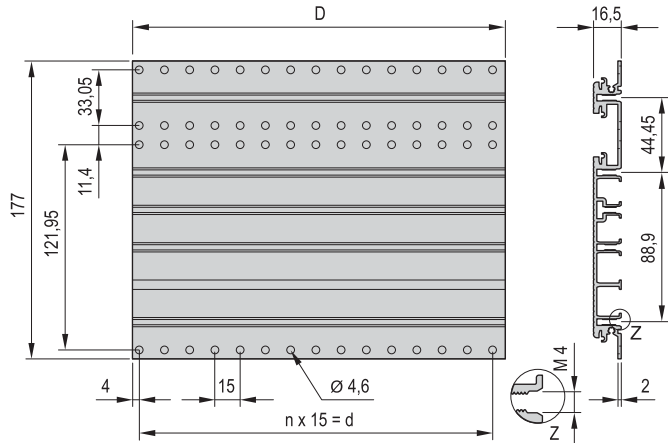
## DIMENSIONS

**Extruded side panel 2 U**


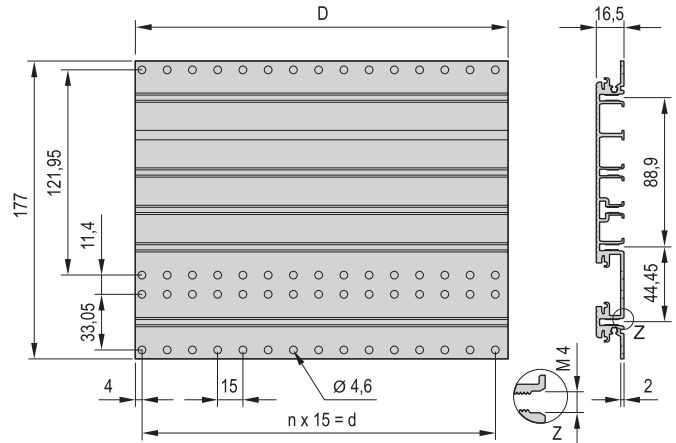
05806079

**Extruded side panel 3 U**


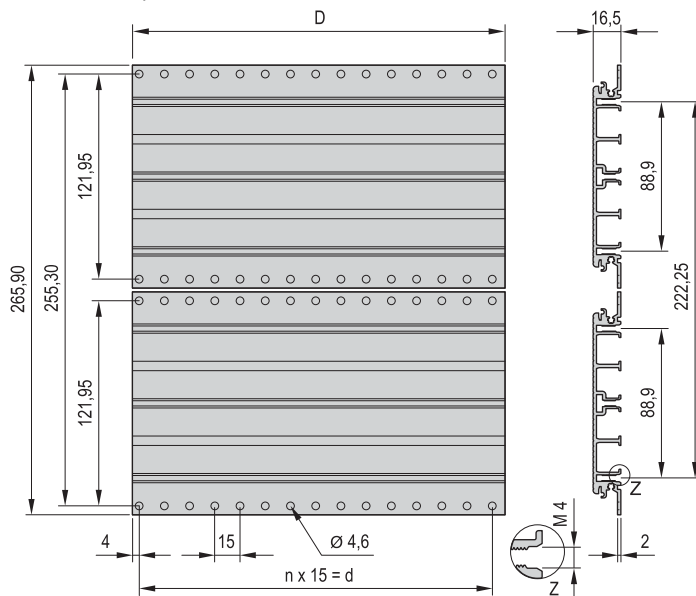
05806080

**Extruded side panel 4 U, right**


05806081

**Extruded side panel 4 U, left**


05806082

**Extruded side panel 6 U**


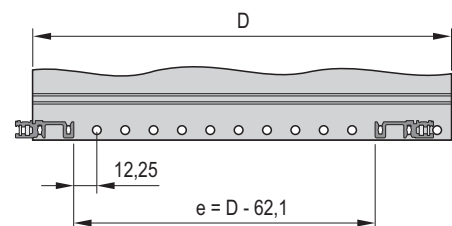
05806083

**Dimensions table**

For case depth	D	d	n
mm	mm	mm	
266	221.6	210	14
326	281.6	270	18
386	341.6	330	22
446	401.6	390	26
506	461.6	450	30

**Note**

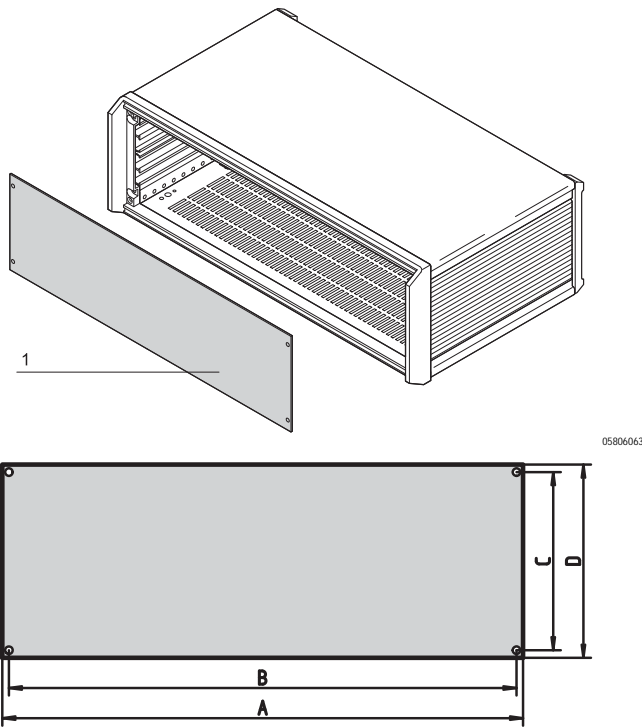
A side panel for case 6 U consists of 2 pieces 3 U extruded side panels

**Side panel with horizontal rail**


05806107

# Desk-top enclosure – PropacPRO

## FRONT PANEL, UNSHIELDED, FOR MOUNTING ON CASE FRAME



### DELIVERY COMPRISES

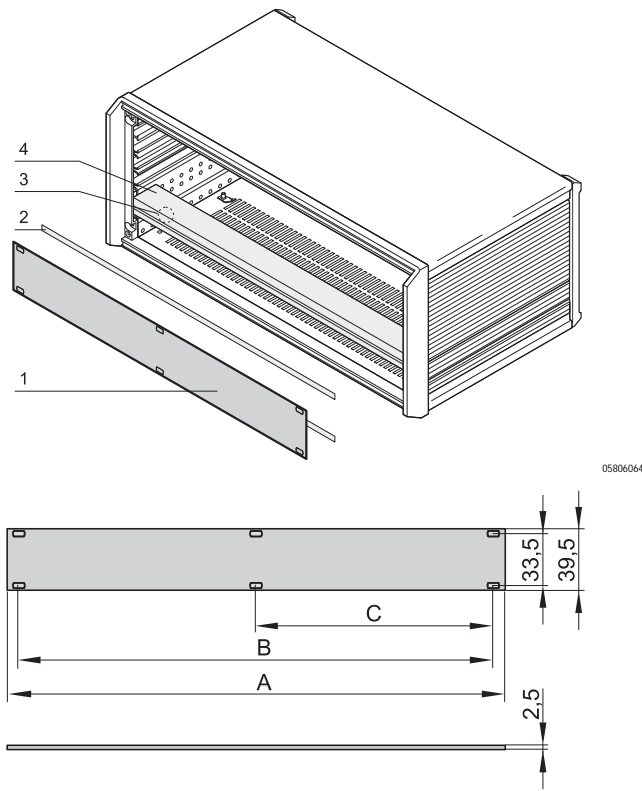
Item	Qty	Description
1	1	Full-width front panel, Al, 2 mm (on 84 HP = 2.5 mm), anodised, cut edges plain
2	1	Assembly kit

### ORDER INFORMATION

For case height U	For case width HP	A mm	B mm	C mm	D mm	Part no.
2	42	238.7	230.0	74.0	84.0	20850-128
2	63	345.4	336.7	74.0	84.0	20850-129
2	84	452.0	443.3	74.0	84.0	20850-130
3	28	167.6	158.9	118.5	128.5	20850-134
3	42	238.7	230.0	118.5	128.5	20850-135
3	63	345.4	336.7	118.5	128.5	20850-136
3	84	452.0	443.3	118.5	128.5	20850-137
4	42	238.7	230.0	162.9	172.9	20850-142
4	63	345.4	336.7	162.9	172.9	20850-143
4	84	452.0	443.3	162.9	172.9	20850-144
6	84	452.0	443.3	251.8	261.8	20850-158

- EMC front panel see chapter Front Panels, page 7.7

## FRONT PANEL, 1 U, UNSHIELDED, FOR 4 U CASE, FOR MOUNTING ON HORIZONTAL RAILS



### DELIVERY COMPRISES

Item	Qty	Description
1	1	Front panel, Al, 2.5 mm, front anodised, rear iridescent green chromated

### ORDER INFORMATION

Width HP	A mm	B mm	C mm	Front panel Part no.
28	141.9	127.0	–	20850-423
42	213.0	198.1	101.6	20850-424
63	319.7	304.8	157.5	20850-425
84	426.4	411.5	203.2	20850-426

### NOTE

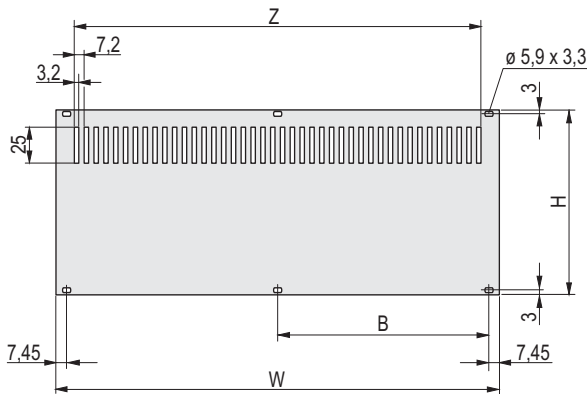
- Please order items 2, 3 and 4 separately

Width HP	Item 2 EMC gasket, front panel/horizontal rail PU 10 pieces Part no.	Item 3 EMC gasketing kit horizontal rails, 1 piece Part no.	Item 4 Horizontal rail type H-KD, 1 piece (SPQ 10)1 Part no.
28	24560-229	24562-528	34560-228
42	24560-231	24562-542	34560-242
63	24560-233	24562-563	34560-263
84	24560-235	24562-584	34560-284

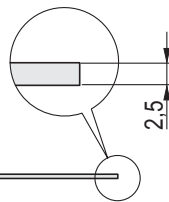
1) SPQ (standard pack quantity): Order number includes 1 piece, but delivery is exclusively made in standard pack quantity (SPQ); please order at least the SPQ quantity or a multiple thereof

# Desk-top enclosure – PropacPRO

## REAR PANEL, PERFORATED, FOR MOUNTING ON HORIZONTAL RAILS

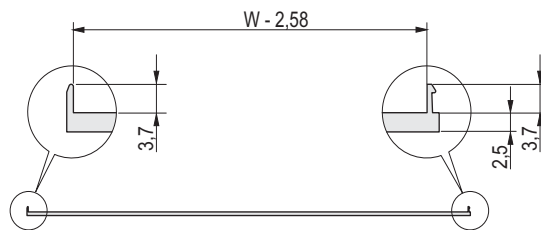


01802055



01804050

Unshielded



01802055

Shieldable

- Two versions: unshielded, Al, 2.5 mm shieldable, Al extrusion (textile EMC gasketing retrofittable)

### DELIVERY COMPRISES

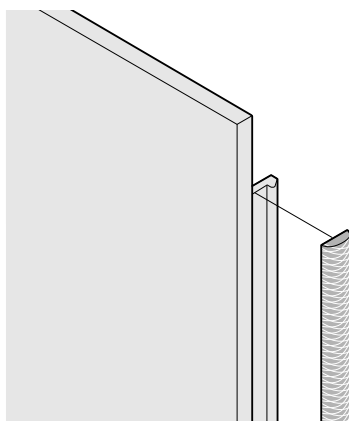
Item	Qty	Description
1	1	Rear panel, Al, 2.5 mm, front: anodised, rear: iridescent green chromated; unshielded or shieldable with EMC sealing (textile)

### ORDER INFORMATION

Height U	H mm	Width W HP mm	B mm	h mm	unshielded Part no.	shieldable Part no.
2	84	28	141.9	–	78	<b>30849-007</b> 20848-679
2	84	42	213	101.6	78	<b>30849-014</b> 20848-680
2	84	63	319.7	157.5	78	<b>30849-015</b> 20848-681
2	84	84	426.4	208.3	78	<b>30849-016</b> 20848-682
3	128.4	28	141.9	–	122.4	<b>30849-008</b> <b>20848-633</b>
3	128.4	42	213	101.6	122.4	<b>30849-021</b> 20848-634
3	128.4	63	319.7	157.5	122.4	<b>30849-022</b> 20848-635
3	128.4	84	426.4	208.3	122.4	<b>30849-023</b> <b>20848-636</b>
4	172.9	28	141.9	–	166.9	<b>30849-009</b> 20848-656
4	172.9	42	213	101.6	166.9	<b>30849-028</b> 20848-657
4	172.9	63	319.7	157.5	166.9	<b>30849-029</b> 20848-658
4	172.9	84	426.4	208.3	166.9	<b>30849-030</b> 20848-659
6	261.8	28	141.9	–	255.8	<b>30849-010</b> 20848-640
6	261.8	42	213	101.6	255.8	<b>30849-035</b> <b>20848-641</b>
6	261.8	63	319.7	157.5	255.8	<b>30849-036</b> 20848-642
6	261.8	84	426.4	208.3	255.8	<b>30849-037</b> <b>20848-643</b>

- Please order textile EMC gasket separately
- EMC gasket rear panel - horizontal rail see page 5.65
- Horizontal rails see page 5.67
- Assembly parts see page 6.63

## TEXTILE EMC GASKET



04602054

- The textile EMC gasket is glue fixed laterally on the front panel, always in the groove on the right-hand side of the profile
- Temperature range -40 °C ... +70 °C

### DELIVERY COMPRISES ()

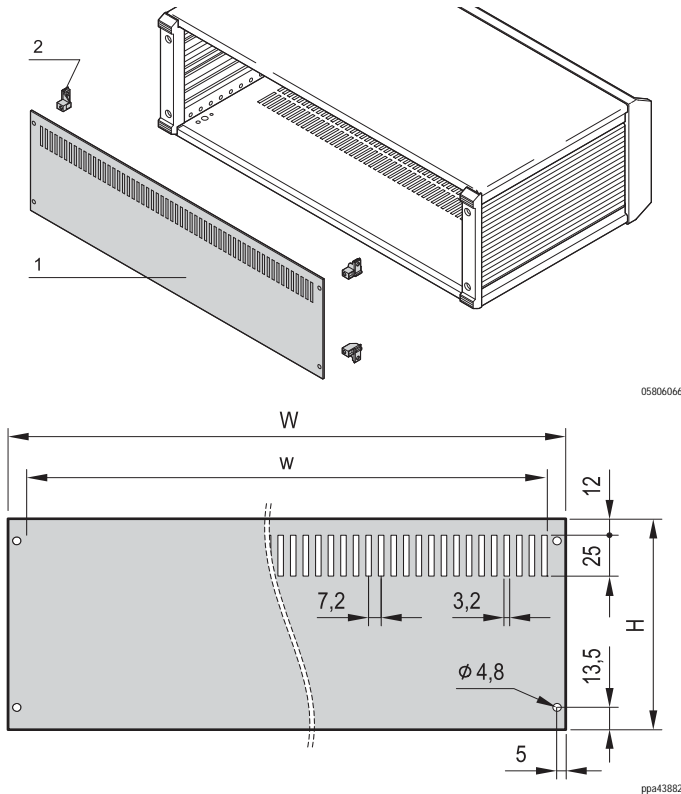
Item	Qty	Description
1	10/100	Textile EMC gasket, core: foam, sleeve: textile cladding with CuNi coating

### ORDER INFORMATION

Height U	Height mm	Qty/PU pieces	Part no.
2	52	10	<b>21101-857</b>
3	97	100	<b>21101-854</b>
3	97	10	<b>21101-853</b>
4	142	10	<b>21101-858</b>
6	232	100	<b>21101-856</b>
6	232	10	<b>21101-855</b>

# Desk-top enclosure – PropacPRO

## REAR PANEL, UNSHIELDED, FOR MOUNTING ON CASE FRAME



- Mounting with support brackets on case (right and left)
- Versions with and without perforation

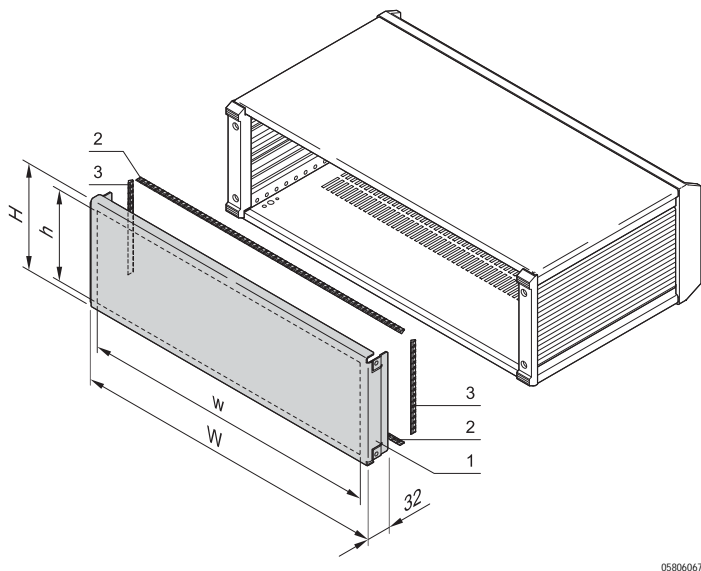
### DELIVERY COMPRISES

Item	Qty	Description
1	1	Full-width rear panel, Al, anodised, cut edges blank 28, 42, 63 HP = 2 mm thickness 84 HP = 2.5 mm thickness
2	4	Support member, Zn die-cast
3	1	Assembly kit

### ORDER INFORMATION

Height U	H mm	Width W HP	w mm	With perforation Part no.	Without perforation Part no.
2	84	42	213	24576-144	24576-044
2	84	63	320	24576-145	24576-045
2	84	84	426	24576-146	24576-046
3	128.5	28	142	24576-147	24576-047
3	128.5	42	213	24576-148	24576-048
3	128.5	63	320	24576-149	24576-049
3	128.5	84	426	24576-150	24576-050
4	172.9	42	213	24576-152	24576-052
4	172.9	63	320	24576-153	24576-053
4	172.9	84	426	24576-154	24576-054
6	261.8	84	426	24576-158	24576-058

## REAR PANEL, SHIELDED, FOR MOUNTING ON CASE FRAME



- Mounts on case (left, right)
- Without perforation

### DELIVERY COMPRISES

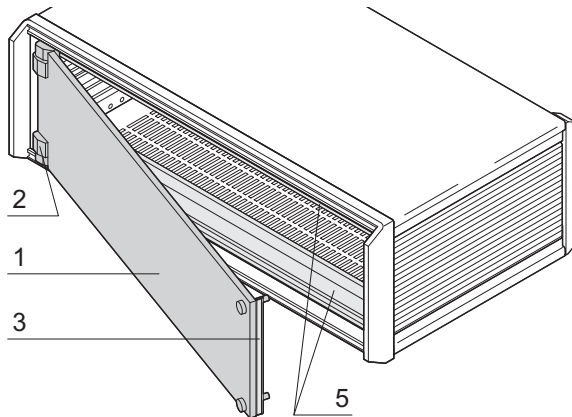
Item	Qty	Description
1	1	Full-width EMC rear panel, Al 1.5 mm, passivated, with GND/earthing connection (Faston 6.3 mm)
2	2	Textile EMC gasketing, for mounting top and bottom, core: foam, sleeve: textile cladding with CuNi coating
3	2	Textile EMC gasketing, for mounting left and right, core: foam, sleeve: textile cladding with CuNi coating
4	1	Assembly kit

### ORDER INFORMATION

Height U	H mm	Height h mm	Width W HP	w mm	Part no.	
2	101.5	84	42	217.9	213	24576-244
2	101.5	84	63	324.6	319.7	24576-245
3	146	128.4	28	146.8	141.9	24576-247
3	146	128.4	42	217.9	213	24576-248
3	146	128.4	63	324.6	319.7	24576-249
3	146	128.4	84	431.3	426.4	24576-250
4	190.4	172.9	42	217.9	213	24576-252
4	190.4	172.9	63	324.6	319.7	24576-253
4	190.4	172.9	84	431.3	426.4	24576-254
6	279.3	261.8	84	431.3	426.4	24576-258

# Desk-top enclosure – PropacPRO

## FRONT PANEL, HINGED, SHIELDED, FOR MOUNTING ON HORIZONTAL RAILS



- Front panel with textile EMC gasketing
- Hinges can be fitted left or right
- Suitable for europacPRO subrack and ratiopacPRO, compacPRO and propacPRO cases

### DELIVERY COMPRISES (kit)

Item	Qty	Description
1	1	Front panel, hinged, Al, 2.5 mm, front anodised, rear iridescent green chromated
2	2	Hinge, Zn die-cast, chrome-plated
3	1	Textile EMC gasket core: foam, sleeve: textile cladding with CuNi coating
4	1	Assembly kit

05806102

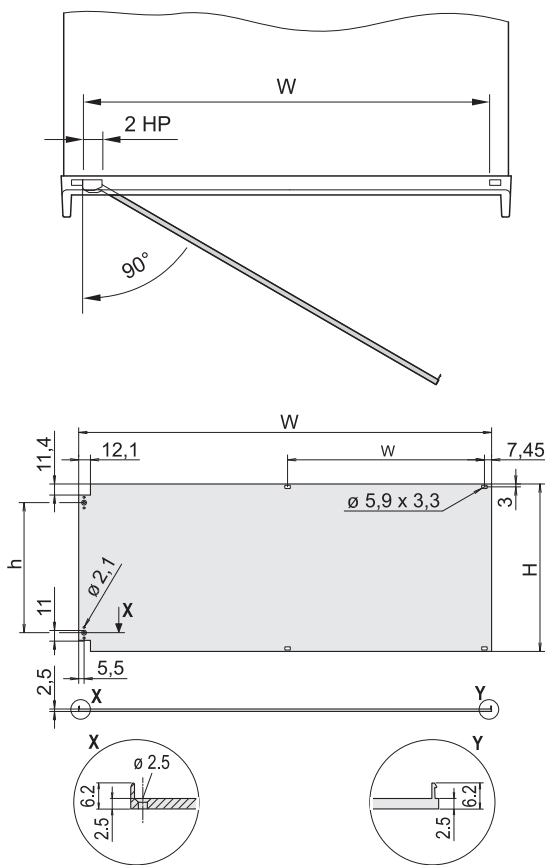
### ORDER INFORMATION

Height U	Width HP	H mm	h mm	W mm	w mm	Part no.
3	84	128.4	89.9	426.4	203.2	<b>20848-611</b>
6	84	261.8	223.2	426.4	203.2	<b>20848-617</b>
Item 5, Horizontal rail Type H-VT heavy duty, recessed mounting 84 HP, 1 piece (SPQ 10)						<b>34560-784</b>

### NOTE

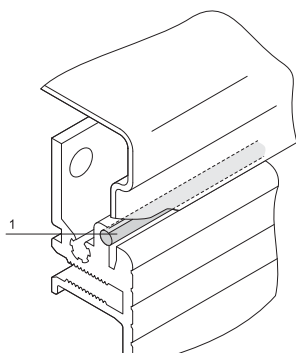
- Usable width reduced by 2 HP (hinged side)
- Horizontal rail (item 5) for front panel mounting is required, please order separately
- Lateral trim is necessary, please order separately, see page 5.59

05806097



04602081

## EMC SIDE PANEL GASKET



- For EMC shielding between side panel and top cover or base plate (sufficient for at least 1 case)

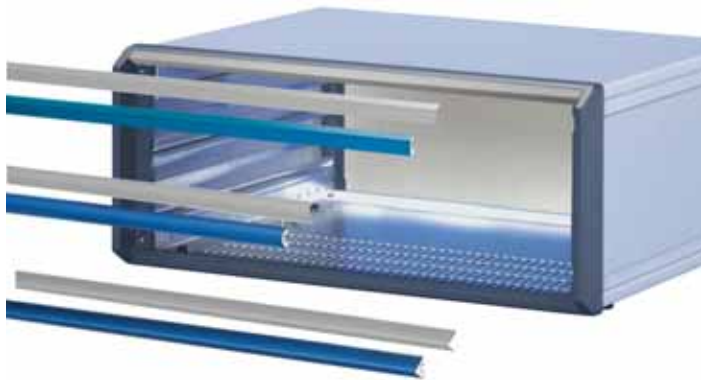
### ORDER INFORMATION

Item	Description	Qty/PU	Part no.
1	Sealing cord, silicone, silver coated, Ø 2.4 mm, length 2.1 m	1	<b>30850-354</b>

05806068

# Desk-top enclosure – PropacPRO

## DESIGN ELEMENTS






05809002

- To individualise case design

### DELIVERY COMPRISES

Qty	Description
1	Design element, Al extrusion, powder-coated
1	Assembly kit

### ORDER INFORMATION

Description	Width HP	Light grey RAL 7035	Brilliant blue RAL 5007
		Part no.	Part no.
Form 1 	42	20850-184	20850-299
	63	20850-185	20850-300
	84	20850-186	20850-301
Form 2 	42	20850-190	20850-315
	63	20850-191	20850-316
	84	20850-192	20850-317
Form 3 	42	20850-196	20850-331
	63	20850-197	20850-332
	84	20850-198	20850-333

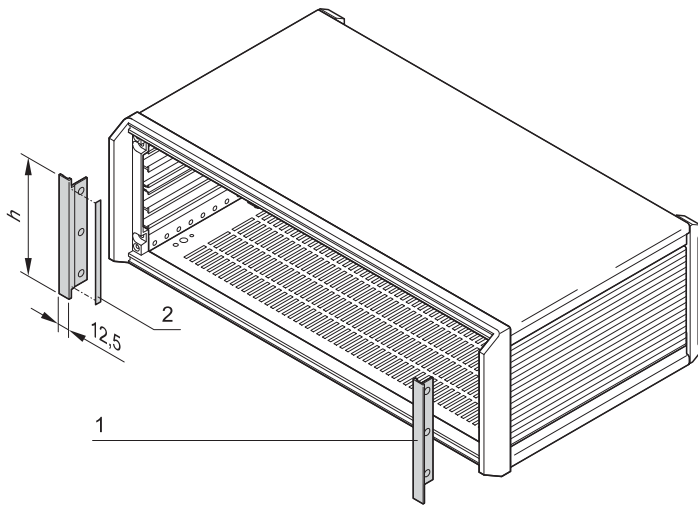
### NOTE

- Size 28 HP and further colours available on request
- Cannot be combined with front hood



# Desk-top enclosure – PropacPRO

## TRIM, FRONT, FOR EMC SHIELDING



- For lateral covering of frame and for producing a continuous front with front panels and plug-in units
- Serves for lateral shielding of side panels simultaneously

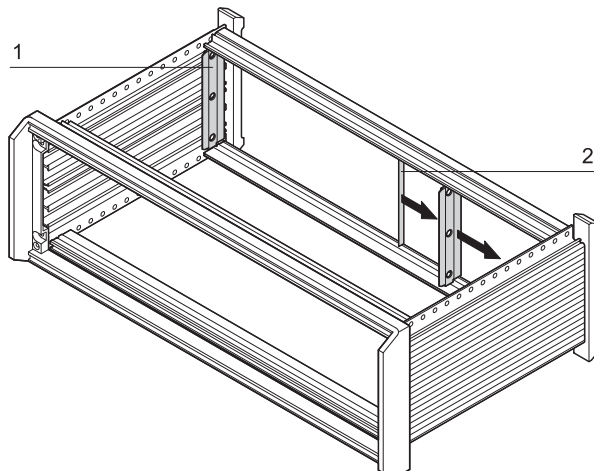
### DELIVERY COMPRISES (kit)

Item	Qty	Description
1	2	Lateral trim, Al extrusion, visible surface painted RAL 7016
2	1	Textile EMC gasket
3	1	Assembly kit

### ORDER INFORMATION

For case height U	h mm	Part no.
2	84	<b>24576-017</b>
3	128.5	<b>24576-117</b>
4	172.9	<b>24576-217</b>
6	261.8	<b>24576-417</b>

## TRIM, REAR, FOR EMC SHIELDING



- For vertical EMC shielding between shielded front panels and side panel

### DELIVERY COMPRISES

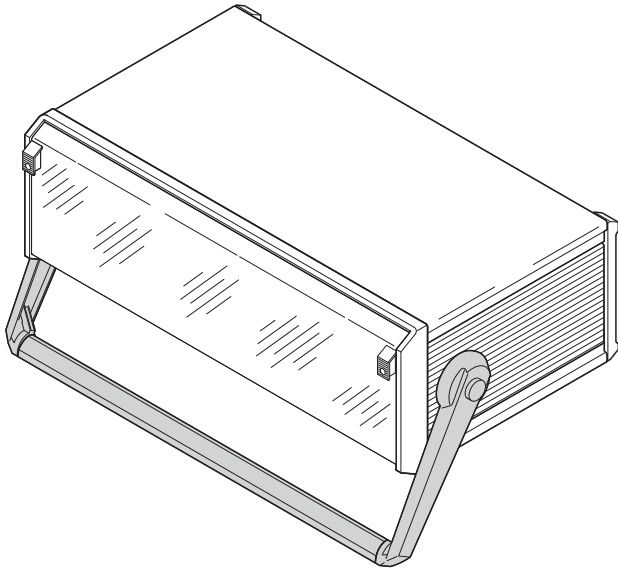
Item	Qty	Description
1	2	EMC contact strip, Al extrusion
2	1	Textile EMC gasket
3	1	Assembly kit

### ORDER INFORMATION

Height U	Height mm	Part no.
2	65.55	<b>24576-018</b>
3	110	<b>24576-118</b>
4	154.45	<b>24576-218</b>
6	243.35	<b>24576-418</b>

# Desk-top enclosure – PropacPRO

## TIP-UP CARRYING HANDLE



05806101

- With powder-coated carrying bar
- Can be locked in 30° increments
- Load-carrying capacity 20 kg

### DELIVERY COMPRISES (Kit)

Item	Qty	Description
1	1	Carrying bar, Al extrusion, powder-coated, RAL 7016
2	2	Handle side part, Zn, die-cast, powder-coated, length 180 mm
3	2	Safety insert, St, 1.5 mm, black
4	1	Assembly kit for side panel mounting

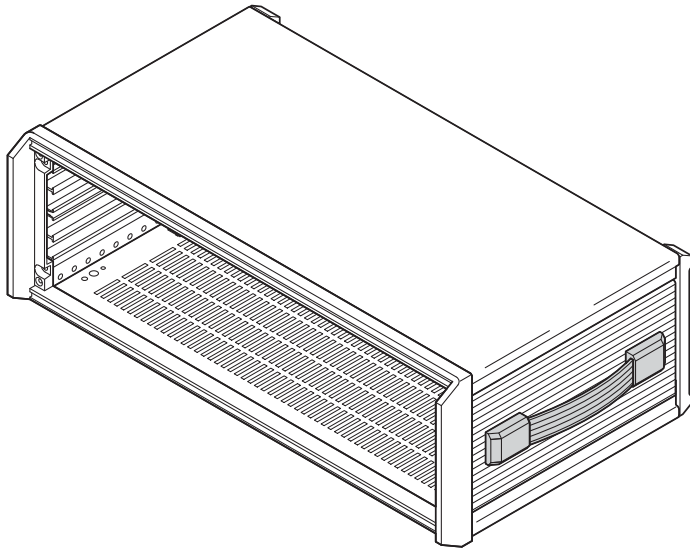
### ORDER INFORMATION

For case width HP	Part no.
28	24576-070
42	24576-071
63	24576-072
84	24576-073

### NOTE

- To fit the tip-up carrying handle, holes must be drilled in the side panel
- Readily prepared cases (3 U and 4 U), for mounting the tip-up carrying handle see page 5.52

## STRAP HANDLE



05806098

- Load-carrying capacity: 20 kg

### DELIVERY COMPRISES (Kit)

Item	Qty	Description
1	1	Band, spring steel, handle, flexible plastic, grey, RAL 7016
2	2	Cover, grey, RAL 7016
3	1	Assembly kit

### ORDER INFORMATION

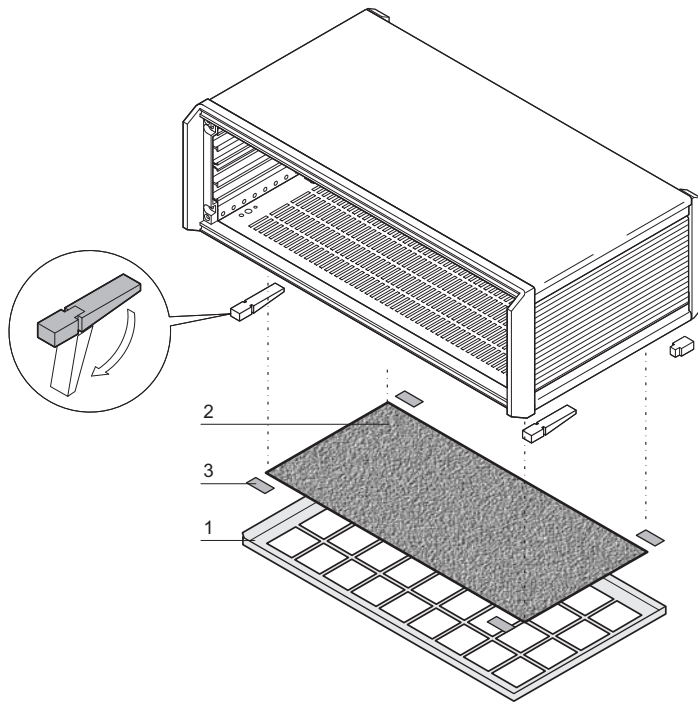
Description	Part no.
Strap handle with adaptor	20850-249

### NOTE

- Holes must be drilled into the side panels to fix the strap handle
- Side panels with holes already drilled available on request
- Usable from case depth of D = 326 mm

# Desk-top enclosure – PropacPRO

## AIR FILTER



05806070

- Subsequent mounting possible without modification or tools
- Filter change without opening the case, IP protection code not affected

### DELIVERY COMPRISES (Kit)

Item	Qty	Description
1	1	Filter holder, Al, 1 mm, powder-coated, RAL 9006
2	1	Filter mat, synthetic fibre
3	1	Velcro

### ORDER INFORMATION

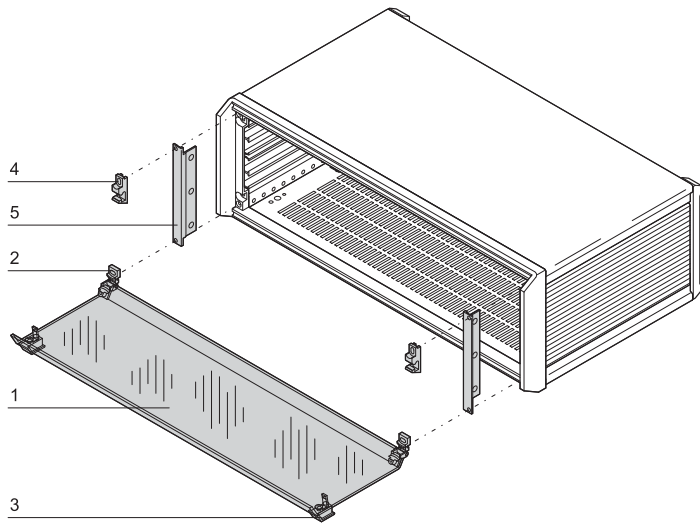
For case width	Air filter	Replacement filter 1 piece
HP	Part no.	Part no.
28	<b>24576-093</b>	<b>64571-033</b>
42	<b>24576-094</b>	<b>64571-034</b>
63	<b>24576-095</b>	<b>64571-035</b>
84	<b>24576-096</b>	<b>64571-036</b>
Tip-up foot in plastic silver, similar to RAL 9006, 4 pieces		<b>20603-001</b>
Plastic tip-up foot anthracite, similar to RAL 7016, 4 pieces		<b>20603-002</b>

### NOTE

- For optimum ventilation feet must be fixed to the case, please order separately

# Desk-top enclosure – PropacPRO

## FRONT HOOD 3 U



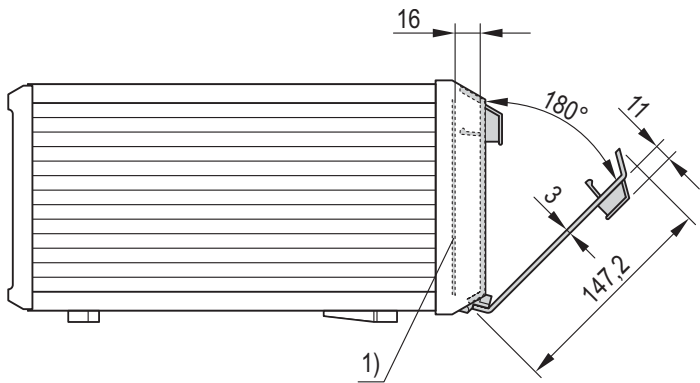
- From acrylic glass, hinged, removable
- Mounting of hinges at top or bottom
- Lock (max. 2) retrofittable
- Lateral cover (item 5) also serves as vertical EMC shielding of side panels

### DELIVERY COMPRISES (kit)

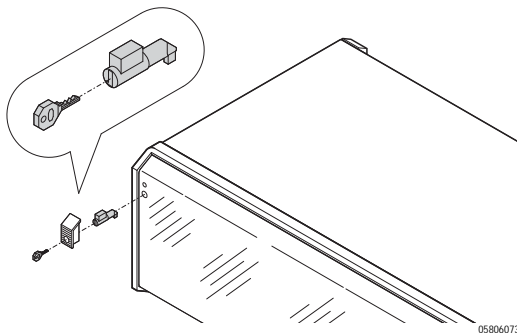
Item	Qty	Description
1	1	Hood, PMMA, tinted blue grey, acrylic glass, 3 mm
2	2	Hinge, PC, UL 94 V-0, RAL 7016
3	2	Handle, PC, UL 94 V-0, RAL 7016
4	2	Retainer, UL 94 V-0, PC, RAL 7016
5	2	Lateral trim, Al extrusion, visible surface painted RAL 7016
6	1	Assembly kit

### ORDER INFORMATION

For case width	Part no.
HP	
28	24576-080
42	24576-081
63	24576-082
84	24576-083
Lock for front hood Locking cylinder, key, assembly kit, PU 1 kit	60850-171
Plastic tip-up foot silver, similar to RAL 9006, 4 pieces	20603-001
Plastic tip-up foot anthracite, similar to RAL 7016, 4 pieces	20603-002



1) Front panel



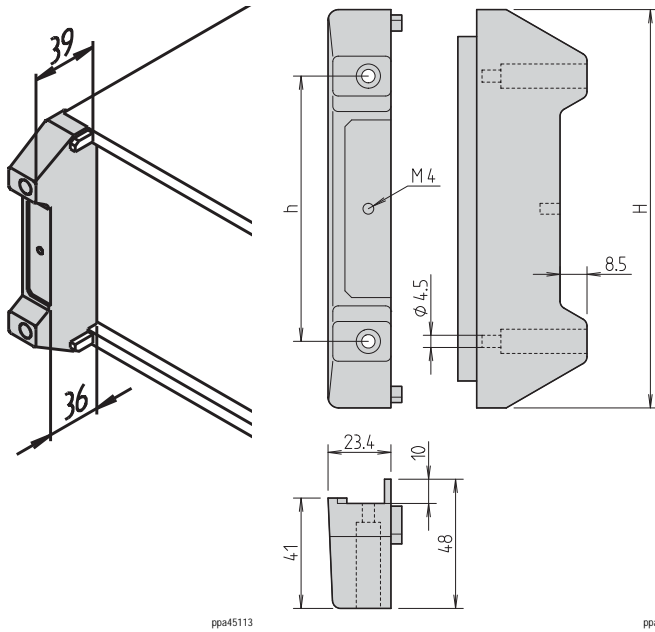
Lock for front hood

### NOTE

- Cannot be combined with design elements
- Other heights available on request
- Before assembly of hood feet must be fixed to case; please order separately

# Desk-top enclosure – PropacPRO

## FOOT FOR REAR HOOD



ppa45113

ppa45106

- Increases the distance between rear panel and parking surface (when used vertically)
- Simplifies cable routing
- Increased shock and vibration damping
- Required for mounting rear hood

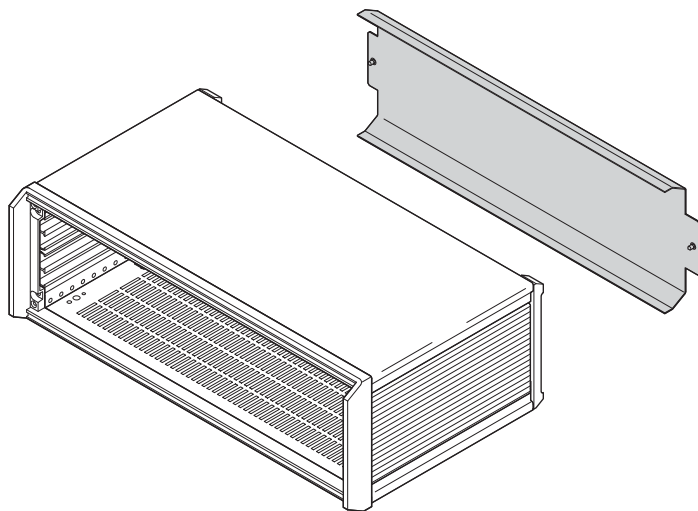
### DELIVERY COMPRISES

Item	Qty	Description
1	2	Foot, PU foam
1	1	Assembly kit

### ORDER INFORMATION

For cabinet height	Height H	Part no.
U	mm	
3	147.9	<b>24576-393</b>
4	192.3	<b>24576-394</b>

## REAR HOOD



05806075

### DELIVERY COMPRISES (kit)

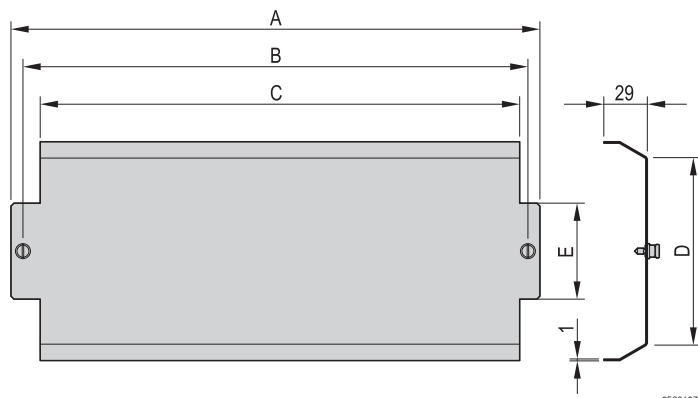
Item	Qty	Description
1	1	Hood, Al, 1 mm, RAL 9006, fixing with knurled screws
2	1	Assembly kit

### ORDER INFORMATION

Height	Width	A	B	C	D	E	Part no.
U	HP	mm	mm	mm	mm	mm	
3	42	246	230	213	145.9	64	<b>24576-086</b>
3	63	352.7	336.7	319.7	145.9	64	<b>24576-087</b>
3	84	459.4	443.4	426.4	145.9	64	<b>24576-088</b>
4	63	352.7	336.7	319.7	190.4	108.5	<b>24576-091</b>
4	84	459.4	443.4	426.4	190.4	108.5	<b>24576-092</b>
Foot for rear hood for case height 3 U, PU foam, black, PU 2 pieces							<b>24576-393</b>
Foot for rear hood for case height 4 U, PU foam, black, PU 2 pieces							<b>24576-394</b>

### NOTE

- To fit the rear hood, feet must be fitted to the rear panel; please order separately


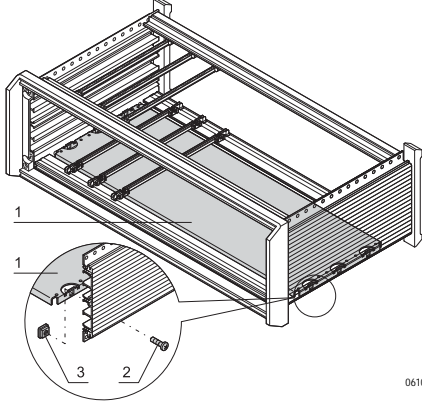
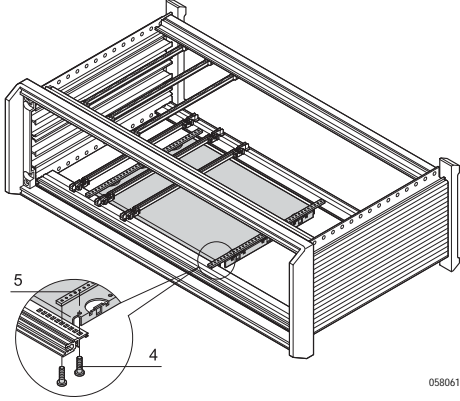


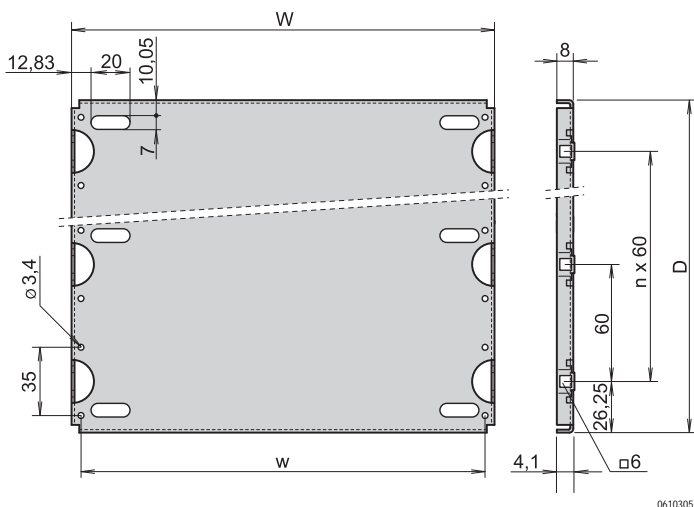
05806076

# Desk-top enclosure – PropacPRO

## MOUNTING PLATES

### ORDER INFORMATION

			Mounting plate for fixing of heavy components		
			Mounting plate over full width: mounting is onto the side panels	Mounting plate over partial width: mounting is onto one side panel and a fixing strip or onto 2 fixing strips	
			Fixing strip for partial widths		
					
			Al, 1.5 mm; for mounting over partial width, please order fixing strips separately	St, 2 mm, zinc-plated; is bolted from front to rear onto the horizontal rails; to fix mounting plates	
Width W	W	Board lengths	1 piece	1 piece	
HP	mm	mm			
42	217.99	160	<b>34562-746</b>	<b>30840-021</b>	
42	217.99	220	<b>34562-750</b>	<b>30840-033</b>	
63	324.67	160	<b>34562-747</b>	<b>30840-021</b>	
63	324.67	220	<b>34562-751</b>	<b>30840-033</b>	
84	431.35	160	<b>34562-748</b>	<b>30840-021</b>	
84	431.35	220	<b>34562-752</b>	<b>30840-033</b>	
84	431.35	340	<b>34562-760</b>	<b>30840-057</b>	
Assembly kit for mounting plate, PU 1 kit (Torx countersunk screw M4 x 5, St, zinc-plated, 12 pieces; screw M4 x 6, St, zinc-plated, 10 pieces; M4 square nut, St, zinc-plated, 10 pieces)			<b>24560-184</b>	–	
Assembly kit for fixing strips for partial width mounting plates, Torx screw M2.5 x 5, St, zinc-plated, PU 100 pieces M2.5 x 5, St, zinc-plated, PU 100 pieces			–	<b>24560-146</b>	



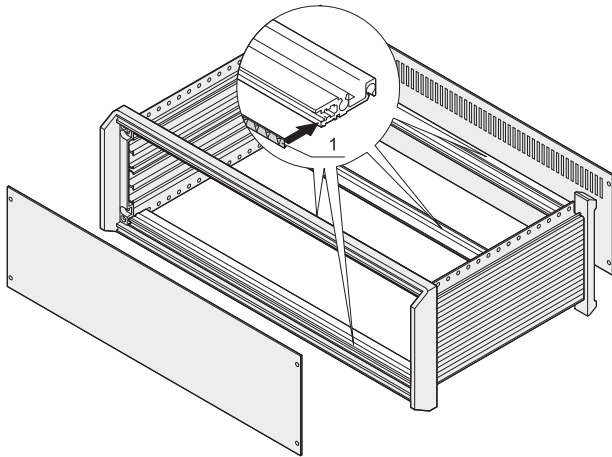
#### NOTE

- Please order assembly kit for mounting plate separately
- Fixing strips required for partial width, please order separately
- Other versions on request
- Dimensions side panel with horizontal rail see page 5.53

propacPRO:  
 D = board length - 47.5 mm; n = 1 for 160 mm board length; n = 2 for 220 mm board length; n=4 for 340 mm board length

# Desk-top enclosure – PropacPRO

## EMC GASKET, STAINLESS STEEL, BETWEEN FRONT/REAR PANEL AND HORIZONTAL RAIL



05806109

- The EMC contact strip is clipped onto the horizontal rail and forms a conductive link to front or rear panel
- Can be used for front/rear horizontal rails type VT (recessed)

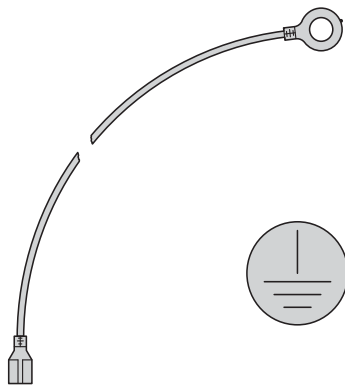
### DELIVERY COMPRISES

Item	Qty	Description
1	10/100	EMC gasket, St, stainless

### ORDER INFORMATION

Width HP	Length mm	Qty/PU pieces	Part no.
28	131.78	10	<b>24560-229</b>
42	202.9	10	<b>24560-231</b>
63	304.5	10	<b>24560-233</b>
84	416.56	10	<b>24560-235</b>
84	416.56	100	<b>24560-236</b>

## GND/EARTHING KIT



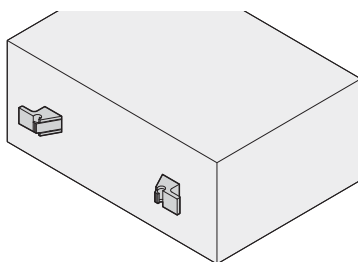
02243284

- Protective GND/earthing connections in accordance with:
  - DIN EN 50178/VDE 0160
  - DIN EN 60950/VDE 0805
  - DIN EN 61010-1/VDE 0411 part 1
  - DIN EN 61010-1A2/VDE 0411 part 1A1
- VDE tested

### ORDER INFORMATION

Description	Part no.
GND/earthing kit, Cu wire 1.5 mm <sup>2</sup> , PVC sleeve, green/yellow, links side panels, base and rear panel, 1 piece	<b>21102-001</b>

## CABLE HOLDER



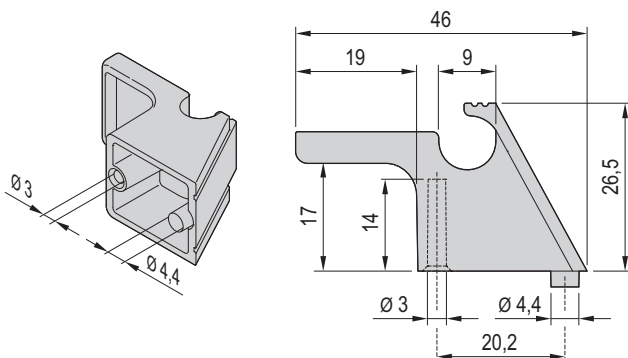
02908053

### DELIVERY COMPRISES

Item	Qty	Description
1	2	Cable holder, ABS, UL V-94 0, RAL 7016, detent for cables between 8 mm and 12 mm
2	1	Drilling template, two drill holes each per holder are needed in rear panel
3	1	Assembly kit

### ORDER INFORMATION

Description	Part no.
Cable holder	<b>24575-800</b>

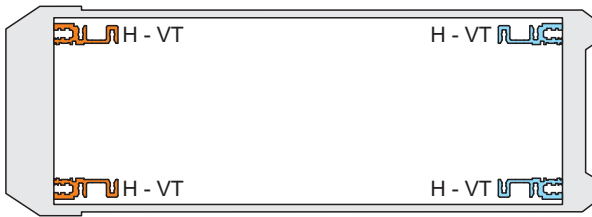


02908052

# Desk-top enclosure – PropacPRO

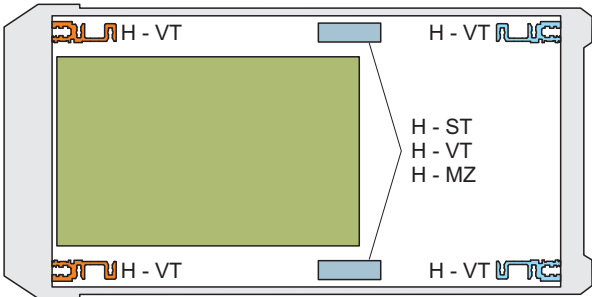
## MOUNTING POSITION HORIZONTAL/CENTRAL RAILS

2 U



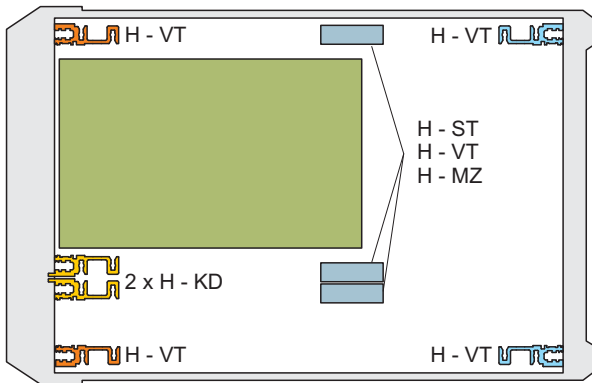
05806084

3 U



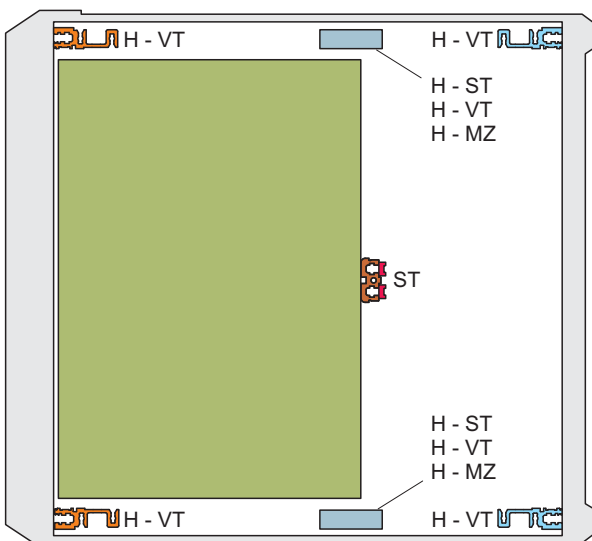
05806085

4 U (3 + 1)

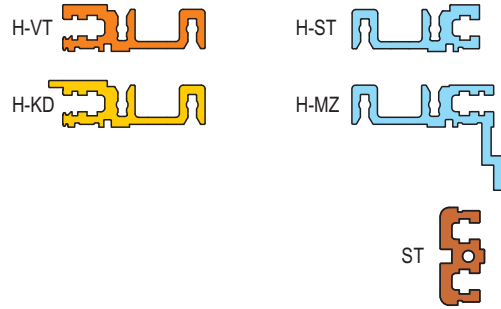


05806086

6 U

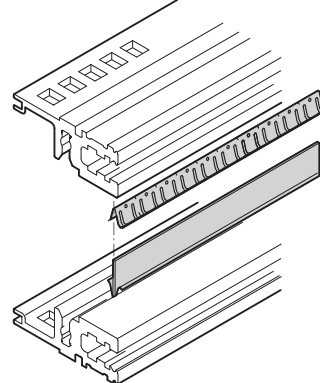


05806087



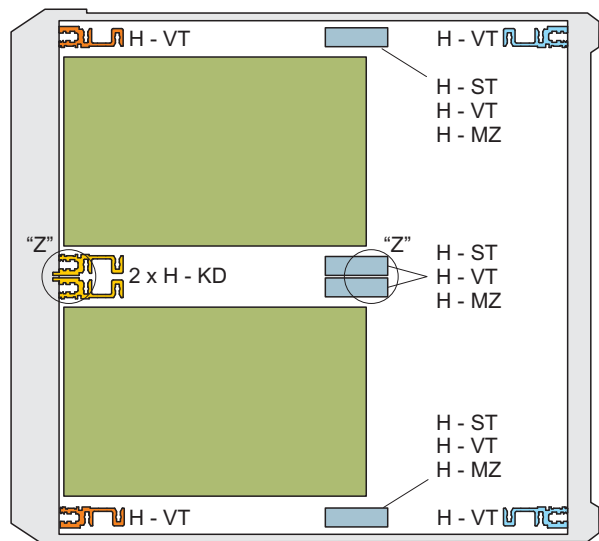
05809050

"Z" (EMC shielding with 2 horizontal rails)



06106051

6 U (2 x 3)



05806088



# Desk-top enclosure – PropacPRO

## HORIZONTAL RAILS TO FRONT/CENTRE/REAR

### ORDER INFORMATION

		For indirect backplane fixing with insulation strip	For direct backplane fixing	For direct fixing of connectors in accordance with EN 60603-2 (DIN 41612)	Front horizontal rails	Stainless steel EMC gasket between horizontal rail and horizontal rail	Horizontal rail type H-VT robust, with EMC gasket
		 04400001	 04400002	 04400003		 bza45877	 06106052
		"heavy" Type H-ST standard	"heavy" Type H-VT long lip	"heavy" Type H-MZ with Z-rail	"heavy" Type H-KD short lip		
		 06197011	 06197013	 06197015	 06197008		
		Al extrusion, anodised finish, conductive surface, with printed HP markings	Al extrusion, anodised finish, conductive surface, with printed HP markings	Al extrusion, anodised finish, conductive surface, with printed HP markings	Al extrusion, anodised finish, conductive surface, with printed HP markings	item 1: metal strip, Al, 1 mm, item 2: EMC stainless steel gasket; for shielding of 2 horizontal rails positioned directly one above the other if assembly area is divided vertically	horizontal rail: Al extrusion, anodised, conductive contact surface for cover plates on shielded cases
<b>Usable length HP</b>	<b>Length mm</b>	<b>1 piece (SPQ 10)<sup>1)</sup></b>	<b>1 piece (SPQ 10)<sup>1)</sup></b>	<b>1 piece (SPQ 10)<sup>1)</sup></b>	<b>1 piece (SPQ 10)<sup>1)</sup></b>	<b>PU 1 kit</b>	<b>1 piece</b>
28	147.32	<b>34560-528</b>	<b>34560-728</b>	<b>34560-928</b>	<b>34560-228</b>	<b>24562-528</b>	<b>24576-028</b>
42	218.44	<b>34560-542</b>	<b>34560-742</b>	<b>34560-942</b>	<b>34560-242</b>	<b>24562-542</b>	<b>24576-042</b>
63	325.12	<b>34560-563</b>	<b>34560-763</b>	<b>34560-963</b>	<b>34560-263</b>	<b>24562-563</b>	<b>24576-063</b>
84	431.80	<b>34560-584</b>	<b>34560-784</b>	<b>34560-984</b>	<b>34560-284</b>	<b>24562-584</b>	<b>24576-084</b>
Torx panhead screw , M4 × 14, St, zinc-plated, PU 100 pieces		<b>24571-371</b>	<b>24571-371</b>	<b>24571-371</b>	<b>24571-371</b>	–	<b>24571-371</b>
Torx panhead screw , M 4 × 10, St, zinc-plated, necessary if guide rail is screwed to slot 1, PU 100 pieces		–	–	<b>24571-372</b>	<b>24571-372</b>	–	<b>24571-372</b>
Perforated rail for connector mounting with insulation strip see page		5.69	–	–	–	–	–
Z-rail for connector mounting without insulation strip see page		5.69	–	–	–	–	–
Insulation strips see page		–	5.68	–	–	–	–
Threaded inserts see page		5.68	5.68	5.68	5.68	–	–

1) SPQ (standard pack quantity): Order number includes 1 piece, but delivery is exclusively made in standard pack quantity (SPQ); please order at least the SPQ quantity or a multiple thereof

### NOTE

- Further horizontal rails see from page 6.27
- Fitting options see page 5.66

# Desk-top enclosure – PropacPRO

## HORIZONTAL RAILS, CENTRE, TYPE ST-C

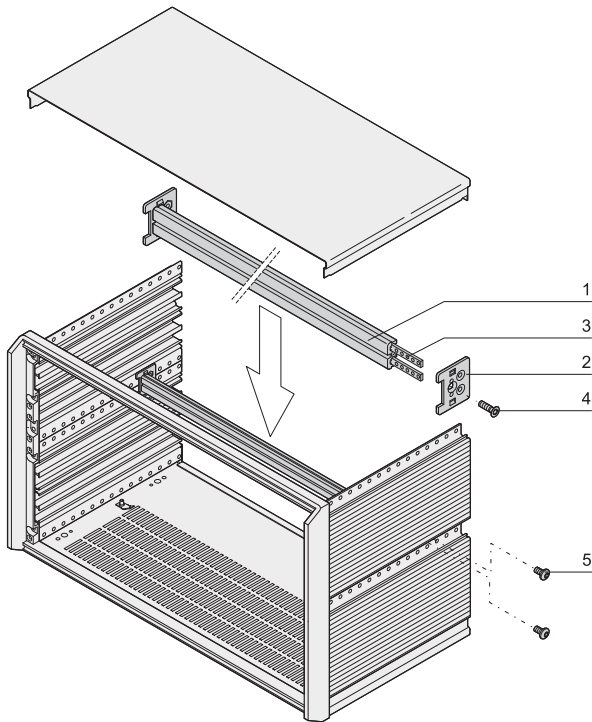
- For indirect backplane mounting (with insulation strip)
- For 6 U propacPRO case

**DELIVERY COMPRISES** (kit, item 1 to 4 are pre-mounted)

Item	Qty	Description
1	1	Horizontal rail, Al extrusion, anodised, contact surfaces conductive
2	2	Adaptor plate, Al
3	2	Threaded insert, M2.5, St, zinc-plated
4	2	Countersunk screw, M4 x 14
5	4	Pan head screw, M4 x 6

### ORDER INFORMATION

Usable width	Length	Part no.
HP	mm	
84	431.8	<b>24575-474</b>
Insulation strip 84 HP, PBT UL 94 V-0, grey, PU 10 pieces		<b>24560-884</b>



05806089

## THREADED INSERTS, PERFORATED STRIPS, INSULATION STRIPS

### ORDER INFORMATION

	Threaded insert		Perforated strip		Insulation strip	
	M2.5	M3	(item 1)			
	<p>06103056</p> <p>required for fixing the front panel to the horizontal rail; St, zinc-plated; use collar screw 12.3 mm, see page 6.64</p>		<p>BZA45853</p> <p>for centring shielded plug-in units, Al, 1 mm, please order grub screw separately</p>		<p>BZ6749</p> <p>for insulated backplane mounting; PBT UL 94 V-0, grey</p>	
	Threaded insert		Perforated strip		Insulation strip	
Usable length	Length		Length		Length	
HP	mm	1 piece (SPQ 10) <sup>1)</sup>	mm	1 piece (SPQ 10) <sup>1)</sup>	mm	PU 10 pieces
28	146.82	<b>34561-328</b>	147.12	<b>30845-197</b>	144.20	<b>24560-828</b>
42	217.94	<b>34561-342</b>	218.24	<b>30845-211</b>	210.40	<b>24560-842</b>
63	324.62	<b>34561-363</b>	324.92	<b>30845-232</b>	316.88	<b>24560-863</b>
84	431.30	<b>34561-384</b>	431.60	<b>30845-253</b>	428.64	<b>24560-884</b>

#### Accessories

Grub screw M2.5 x 8, PU 100 pieces	<b>21100-276</b>	–	–	–	–
Grub screw M2.5 x 9, PU 100 pieces	–	–	<b>21101-359</b>	–	–
Grub screw M3 x 8, PU 100 pieces	–	<b>21100-646</b>	–	–	–

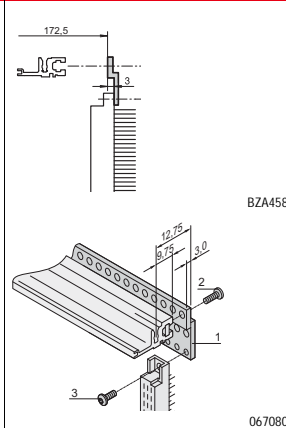
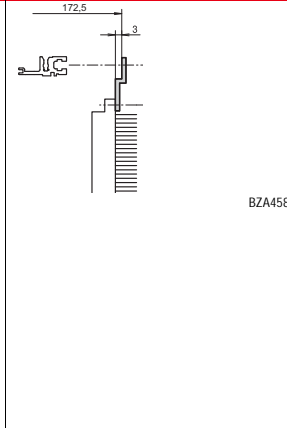
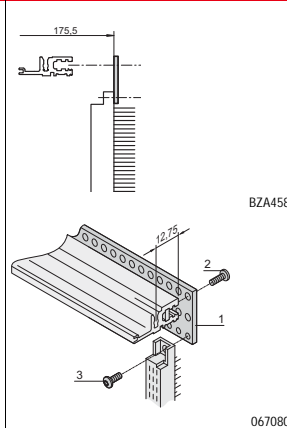
1) SPQ (standard pack quantity): Order number includes 1 piece, but delivery is exclusively made in standard pack quantity (SPQ); please order at least the SPQ quantity or a multiple thereof

2) Part no. includes one packing unit (PU); delivery is exclusively made in PU

# Desk-top enclosure – PropacPRO

## Z-RAILS, PERFORATED RAILS

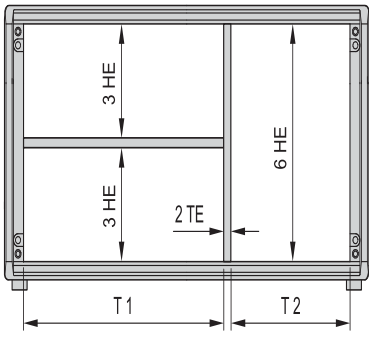
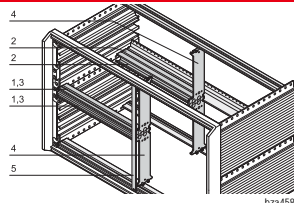
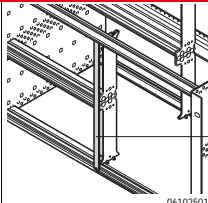
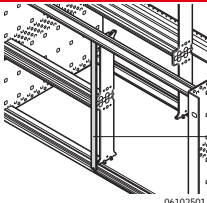
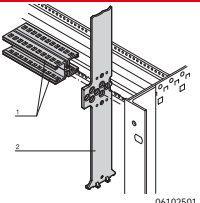
### ORDER INFORMATION

		Z-rail for connectors DIN EN 60603-2, DIN 41612 item 1	31-pin, DIN 41617	Perforated rail EN 606032, DIN 41612 item 1
		 <p>for connector mounting on ST horizontal rails, please order threaded insert and screw</p>	 <p>for connector mounting on ST horizontal rails, please order threaded insert and screw</p>	 <p>for connector mounting on VT horizontal rails, please order threaded insert and screw</p>
Usable length HP	Length mm	1 piece	1 piece	PU 4 pieces
28	142.24	<b>30822-033</b>	–	<b>20822-049</b>
42	213.36	<b>30822-047</b>	–	<b>20822-050</b>
60	304.80	<b>30822-065</b>	<b>30819-783</b>	<b>20822-047</b>
84	426.70	<b>30822-089</b>	<b>30819-808</b>	<b>20822-048</b>
Item 3, Torx panhead screw to fix connector to perforated rail,, M2.5 × 7, PU 100 pieces		<b>24560-147</b>	<b>24560-147</b>	<b>24560-147</b>
Item 2, Torx panhead screw, to fix perforated rail to horizontal rail, M2.5 × 10, PU 100 pieces		<b>24560-148</b>	<b>24560-148</b>	<b>24560-148</b>

# Desk-top enclosure – PropacPRO

COMBINED MOUNTING (6 U AND 2 X 3 U ONE ABOVE THE OTHER)

## ORDER INFORMATION

	Combined mounting Horizontal and vertical subdivision (incl. front panel for stainless steel EMC gasket)	Unshielded front panel, 6 U, 2 HP item 5	Front panel for textile EMC gasket, 6 U, 2 HP item 5	Splitting extrusion for combined mounting item 2
	 <p>item 1: 2 front horizontal rails (H-KD), Al extrusion, anodised; item 2: 2 rear horizontal rails (AB), Al extrusion, anodised; item 3: threaded insert, St, zinc-plated; item 4: Zn die-cast support member; item 5: front panel 2 HP, 6 U, shielded; with EMC stainless steel gasket; 84:0 without items 4, 5</p>	 <p>Al, 2.5 mm, front anodised, rear iridescent green chromated</p>	 <p>Al, 2.5 mm, U-profile with notch, 6 U, 2 HP</p>	 <p>6 U, Zn die-cast; splitting extrusion is inserted in the grid holes of the horizontal rail; the splitting extrusion can be bolted</p>
Width pitch T1:T2				
HP	PU 1 kit	1 (SPQ 5)	1 piece (SPQ 5) <sup>1)</sup>	1 piece
20:62	<b>24562-420</b>			
40:42	<b>24562-440</b>			
42:40	<b>24562-442</b>	<b>30847-472</b>	<b>30849-140</b>	<b>64560-010</b>
63:19	<b>24562-463</b>			
84:0	<b>24562-484</b>			
Torx countersunk screw M4 x 14, zinc-plated, PU 100 pieces for fixing splitting extrusion/horizontal rail	–	–	–	<b>24560-145</b>
Panhead screw M2.5 x 10, St, zinc-plated, PU 100 pieces for fixing horizontal rail/splitting extrusion	–	–	–	<b>24560-179</b>
Pozidrive/slotted collar screw M2.5 x 12.3, St, nickel-plated, PU 100 pieces	–	<b>21101-101</b>	<b>21101-101</b>	–
Pozidrive/slotted collar screw M2.5, black, zinc-plated, PU 100 pieces	–	<b>21101-102</b>	<b>21101-102</b>	–
Washer 2.7 x 5 x 1, plastic PA 6, PU 100 pieces	–	<b>21101-121</b>	<b>21101-121</b>	–
Textile gasket, core: foam, sleeve: textile cladding with CuNi coating, UL 94 V-0, PU 10 pieces	–	–	<b>21101-855</b>	–

- Subdivision of the 6 U assembly area into:
  - 2 x 3 U
  - 1 x 6 U
- Designed to accept euroboards (100 mm high) and double euroboards (233.35 mm high)

### NOTE

- Please order EMC gasketing kit for horizontal rails separately, see page 6.54
- Please order perforated strips for horizontal rails separately, see page 5.68
- Please order rear centre horizontal rail separately, see page 5.68

# Desk-top enclosure – PropacPRO

## HORIZONTAL BOARD MOUNTING

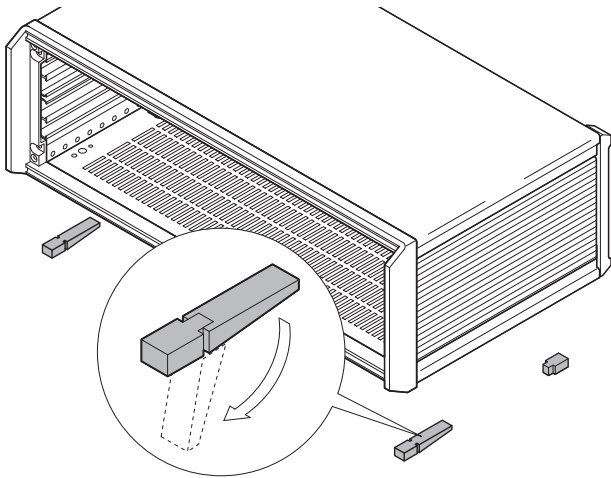
### ORDER INFORMATION

				Horizontal board mounting		
				Board cage	Front frame for EMC gasketing	Front frame, unshielded
<p>(1 TE = 1 HP, 1 HE = 1 U)</p> <p>05806092</p>				<p>05806091</p> <p>Struts die-cast zinc; horizontal rails front and rear; threaded insert, St, zinc-plated; fixing material kit; for horizontal mounting of double-height euroboards in 3 or 4 U high subracks/cases; 54 HP space required; <b>please order front frame for EMC gasketing separately</b></p>	<p>bpa45913</p> <p>2 horizontal trims, Al 2.5 mm, front anodised, rear iridescent green chromated; 2 vertical trims, Al extrusion, clear passivated; stainless steel EMC gasket; front frame forms the contact between subrack and the sub-assemblies</p>	<p>bza43061</p> <p>Al, 2.5 mm, clear anodised; front frame with cut-out, clear internal width w = 266.35 mm</p>
Height H U	Usable height h HP	Other dimensions and options		PU 1 kit	PU 1 kit	1 piece
3	20			<b>24564-117</b>	<b>24564-109</b>	34564-108
3	20			<b>24564-118</b>	<b>24564-109</b>	34564-109
4	28			<b>24564-217</b>	<b>24564-209</b>	<b>34564-208</b>
Assembly tool, for mounting the EMC gasket (stainless steel)				–	<b>24560-270</b>	–

\* For direct backplane mounting

# Desk-top enclosure – PropacPRO

## PLASTIC TIP-UP FEET



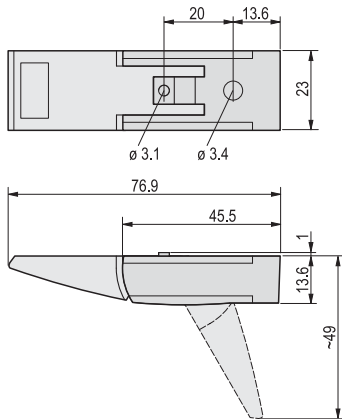
- Static load-carrying capacity 25 kg per foot
- Tip-up feet can be used instead of the pre-mounted case feet
- Fixing holes provided in bottom of case

### DELIVERY COMPRISES (kit)

Item	Qty	Description
1	4	Foot, PA, UL 94 V-0
2	4	Anti-slip protection, TPE
3	2	Tip-up device, PA, UL 94 V-0
4	1	Assembly kit

### ORDER INFORMATION

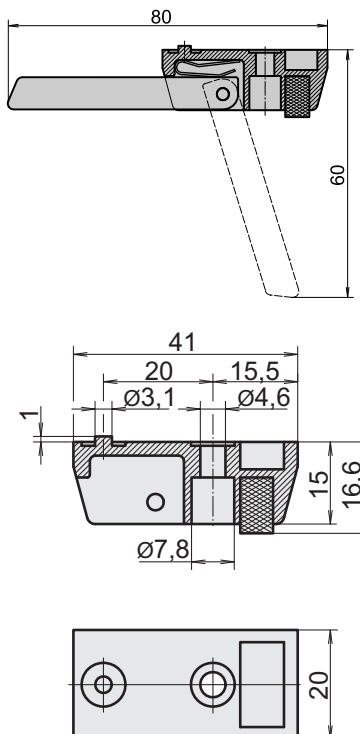
Description	Part no.
Plastic tip-up foot anthracite, similar to RAL 7016, 4 pieces	<b>20603-002</b>
Plastic tip-up foot silver, similar to RAL 9006, 4 pieces	<b>20603-001</b>
Cheesehead screw with slot M4 × 12, St, zinc-plated, PU 100 pieces	<b>21101-211</b>
Hexagon nut M4, St, zinc-plated, PU 100 pieces	<b>21100-211</b>
Spring washer A4, St, zinc-plated, PU 100 pieces	<b>21100-207</b>



05806093

02906050

## TIP-UP FEET MADE OF DIE-CAST ALUMINIUM



AZA43836

02908051

- Can be used instead of the round standard feet
- Fixing holes provided in bottom of case
- Secure case stance with slip-proof rubber inserts
- Load carrying capacity: 50 kg per foot, max. case weight 40 kg

### ORDER INFORMATION

Description	Qty	Part no.
Foot with tip-up, Al die-cast, silver	1 piece (SPQ 10) <sup>1)</sup>	<b>10603-002</b>
Foot without tip-up, Al die-cast, silver	1 piece (SPQ 10) <sup>1)</sup>	<b>10603-001</b>
Cheesehead screw with slot M4 × 12, St, zinc-plated, PU 100 pieces		<b>21101-211</b>
Hexagon nut M4, St, zinc-plated, PU 100 pieces		<b>21100-211</b>
Spring washer A4, St, zinc-plated, PU 100 pieces		<b>21100-207</b>

1) Part no. comprises 1 piece; delivery is in standard pack quantity (SPQ); please order a minimum of 10 feet or a multiple


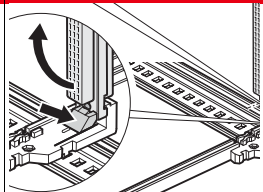
### NOTE

- Delivery is in standard pack multiples; pricing is per individual item

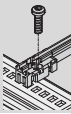
# Desk-top enclosure – PropacPRO

## GUIDE RAILS FOR PLUG-IN UNITS AND FRAME TYPE PLUG-IN UNITS, ONE-PIECE, GROOVE WIDTH 2 MM

### ORDER INFORMATION

			For plug-in units and frame type plug-in units Standard	With DIN connector fixing as standard
Assembly - can be clipped into Al extruded horizontal rails - can be clipped into 1.5 mm thick plates  Storage temperature from -40 °C ... 130 °C			  up to 220 mm length, PBT, UL 94 V-0; multi-piece from 280 mm length, end piece PBT, UL 94 V-0, central section Al extrusion	  PBT, UL 94 V-0, red, connector is clipped directly onto the guide rails; for euroboards, 100 x 160 mm or 100 x 220 mm only
Board lengths mm	Groove width mm	Colour mm	PU 10 pieces	1 pair (SPQ 10) <sup>1)</sup>
70	2	red	–	–
70	2	grey	–	–
160	2	red	<b>24560-351</b>	<b>64560-074</b>
220	2	red	<b>24560-353</b>	<b>64560-075</b>
280	2	red	<b>24560-379</b>	–
340	2	red	<b>24560-380</b>	–
Dimension drawings see page			6.40	6.40

### Accessories

Retention screw, PU 100 pieces		<b>24560-141</b>	<b>24560-141</b>
ESD clip, PU 50 pieces description see page 6.41		<b>24560-255</b>	<b>24560-255</b>

1) SPQ (standard pack quantity): Order number includes 1 piece, but delivery is exclusively made in standard pack quantity (SPQ); please order at least the SPQ quantity or a multiple thereof

2) Part no. includes one packing unit (PU); delivery is exclusively made in PU

Further guide rails see page 6.35

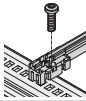
# Desk-top enclosure – PropacPRO

## GUIDE RAILS TYPE "ACCESSORIES", ONE-PIECE, GROOVE WIDTH 2 MM AND 2.5 MM

### ORDER INFORMATION

			Guide rails "Accessories"	Guide rails "Accessories" strengthened	Guide rails for heavy modules, Al extrusion, silver, robust version
<b>Assembly</b> - can be clipped into horizontal rails in Al extrusion - can be clipped into 1.5 mm thick plates  <b>storage temperature</b> from -40 °C ... +130 °C			 <p>up to 280 mm length, PBT, UL 94 V-0; multi-piece from 280 mm length, end piece PBT, UL 94V-0, middle section Al extrusion</p>	 <p>PBT UL 94 V-0, red support beam of guide rails adds to strengthening</p>	 <p>Al extrusion: is screwed to horizontal rail "heavy" with retention screws</p>
Board lengths mm	Groove width mm	Colour mm	PU 10 pieces	1 piece (SPQ 50)	1 piece (SPQ 50) <sup>1)</sup>
100	2	red	–	–	–
160	2	red	<b>24560-373</b>	<b>64560-076</b>	–
160	2	grey	–	–	<b>34562-881</b>
220	2	red	<b>24560-374</b>	<b>64560-078</b>	–
220	2	grey	–	–	<b>34562-882</b>
280	2	red/ silver	<b>24560-375</b>	<b>64560-080</b>	<b>34562-883</b>
340	2	red/ silver	<b>24560-376</b>	–	<b>34562-884</b>
400	2	silver	–	–	<b>34562-885</b>
160	2.5	silver	–	–	<b>34564-881</b>
220	2.5	silver	–	–	<b>34564-882</b>
280	2.5	silver	–	–	<b>34564-883</b>
340	2.5	silver	–	–	<b>34564-884</b>
400	2.5	silver	–	–	<b>34564-885</b>
Dimension drawings see page			6.40	6.40	6.40

### Accessories

Retention screw, PU 100 pieces 	<b>24560-141</b>	<b>24560-141</b>	<b>24560-157</b>
ESD clip, PU 50 pieces description see page 6.41	<b>24560-255</b>	<b>24560-255</b>	–
Board locking C, red, PU 10 pieces, description see page 6.41	<b>24560-377</b>	<b>24560-377</b>	–
Board handle C, red, PU 10 pieces, description see page 6.41	<b>24560-378</b>	<b>24560-378</b>	–
Identification strips for board handle, red, PU 1 sheet = 438 pieces, description see page 6.41	<b>60817-228</b>	<b>60817-228</b>	–
Coding see page	6.41	6.41	–

1) SPQ (standard pack quantity): Order number includes 1 piece, but delivery is exclusively made in standard pack quantity (SPQ); please order at least the SPQ quantity or a multiple thereof

2) Part no. includes one packing unit (PU); delivery is exclusively made in PU

Further guide rails see page 6.35



# Desk-top enclosure – PropacPRO

## DIVIDER PLATE

### ORDER INFORMATION

					Divider plate	
					Mounting position when stainless steel EMC gasket is used	Mounting position when textile EMC gasket is used
<p>Stainless steel, 1 mm, is mounted by clipping onto horizontal rail, space requirement on component side 2 mm; mounting direction varies with shielding design (EMC stainless steel or textile gasket); retrofitting the divider plate in an already-assembled subrack/case will first require dismantling of the horizontal rails; where front panels are unshielded, both mounting directions are possible</p>					<p>bpa45911 <span style="float: right;">06105078</span></p>	
Height U	Depth mm	A mm	B mm	H mm	PU 10 pieces	
3	160	158.3	135.0	113.5	<b>34562-761</b>	
3	220	218.3	195.0	113.5	<b>34562-762</b>	
6	160	158.3	135.0	246.9	<b>34562-763</b>	
6	220	218.3	195.0	246.9	<b>34562-764</b>	

## AIR BAFFLE FOR SLOTS

### ORDER INFORMATION

			Air baffle without front panel	Air baffle with front panel U front panel for textile EMC gasket
<p>Al, 1 mm, incl. assembly kit; prevents an air short circuit in unoccupied slot positions; is pushed into the groove of the guide rails</p>			<p>06108085</p>	<p>06108088</p>
Depth mm	Width HP	Height U	1 piece	1 piece
160	4	3	<b>34562-823</b>	<b>20848-728</b>
160	4	6	<b>34562-826</b>	<b>20848-736</b>
160	8	3	<b>34562-833</b>	20848-730
160	8	6	<b>34562-836</b>	20848-738
160	12	3	<b>34562-843</b>	20848-732
160	12	6	<b>34562-846</b>	20848-740
220	4	3	<b>34562-824</b>	20848-729
220	4	6	34562-827	20848-737
220	8	3	34562-834	20848-731
220	8	6	34562-837	20848-739
220	12	3	34562-844	20848-733
220	12	6	34562-847	20848-741

# Desk-top cases – Introduction

## CASE TYPES: DESK-TOP ENCLOSURE/19" CASE


 01810002  
 Desk-top enclosure, ratiopacPRO

 02202004  
 19" case, comptec

### Desk-top enclosures

Our desk-top cases are used to house PCBs (euroboards) or individual components

The choice is yours:

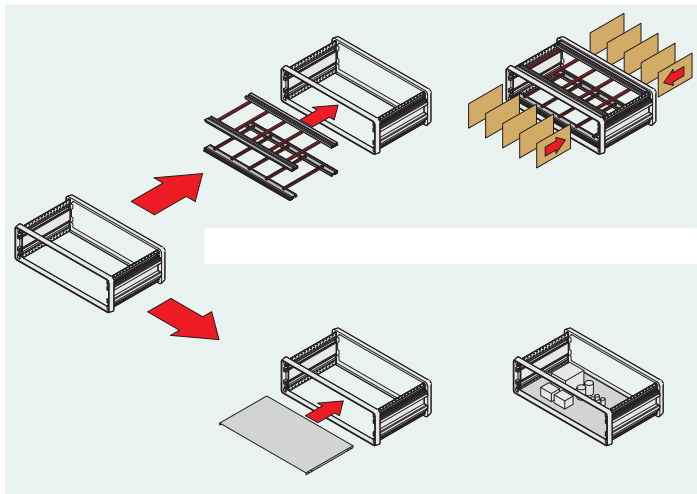
- ratiopacPRO, the universal case with 19" compatible dimensions and high EMC shielding, e.g. for CompactPCI and VME64x applications
- propacPRO, the robust case with high EMC shielding for 19"-compatible or custom electronics assemblies
- compacPRO, Desk-top or portable case for unshielded applications

### 19" cases

Our comptec cases are comparable with small cabinets and are used to house 19" components such as subracks, 19" fan trays or 19" front panels

All desk-top enclosures have a very low weight owing to the materials used and are also suitable for mobile use

## APPLICATIONS FOR DESK-TOP ENCLOSURES

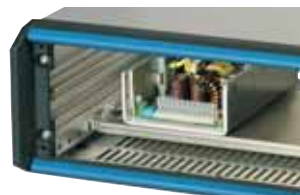


The most important user domains for desk-top enclosures are:

- Fitting with euroboards in accordance with IEC 60297



- Fitting with individual electrical or mechanical components, e.g. on mounting plates



## ONE PRODUCT PLATFORM AND EXTENSIVE ACCESSORIES



- Practical technology without time-consuming assembly. The modular product platform of these cases allows a wide range of possible uses with only a small number of components.

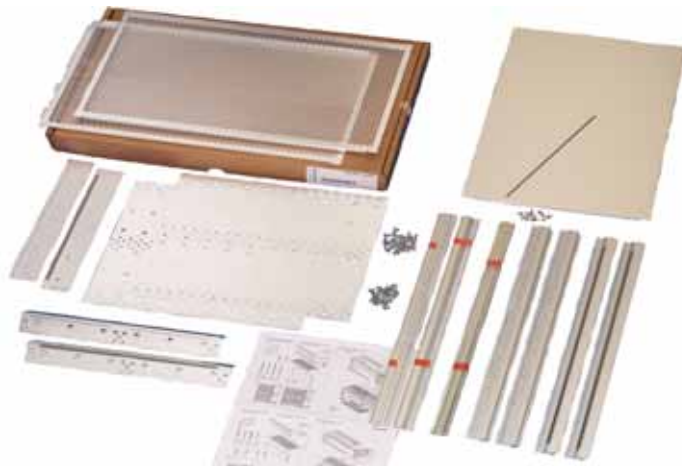
The intelligent design of all components results in an astonishingly quick and easy assembly of the components.

With our PRO product platform we offer you full compatibility of all individual components and accessories, also with our europacPRO subracks.

Standard desk-top enclosures can also be adapted easily and with little effort for mobile applications.

# Desk-top cases – Introduction

## FORMS OF DELIVERY FOR DESK-TOP ENCLOSURES



Flat pack delivery to save space

06104001

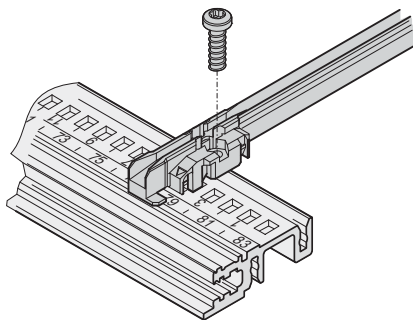
Supplied in space-saving packs. Simply unpack parts and screw together - done.

Depending on the kit chosen the threaded insert, the perforated rail or the EMC gasket is pre-assembled on the horizontal rail.

We offer you three forms of delivery:

- Pre-assembled kit for use with 160 mm deep euroboards, frame fitted, cladding parts and guide rails supplied loose.
- Pre-assembled kit for individual configuration, frame assembled, cladding parts supplied loose.
- Ready assembled cases to your specifications. With our ServicePLUS option you can order ready-assembled cases, with drilled holes and cut-outs and individual front panels - if necessary even by express service.

## GUIDE RAIL



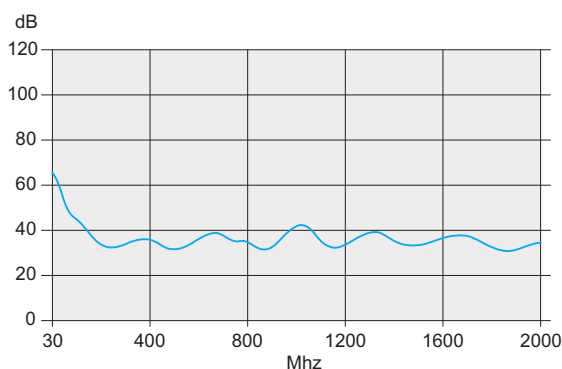
06108084

- Guide rails form the interface between the mechanics of the case and the electronics assembled (PCBs, plug-in units, frame type plug-in units, drive unit modules, etc.).

Robust snap-in fixings on the plastic rails assure that the components are held securely, even when exposed to vibrations.

Guide rails can also be screwed on.

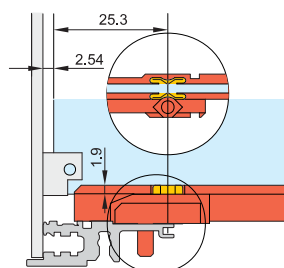
## EMC AND ESD



Shielding

06108081

- Our case product platforms offer standard solutions for achieving electromagnetic compatibility (EMC) and to avoid electrostatic interference (ESD)
- Shielding on the front and rear of the case is effected by front panels with EMC gaskets
- To prevent electrostatic discharge when inserting PCBs, ESD contacts are clipped into the guide rails. These provide a conductive connection between board and case earth/ground
- Test reports are available on our website [www.schroff.biz](http://www.schroff.biz) for download



Position of the ESD clip

04503050

# Desk-top cases – ServicePLUS

## Application examples



Application: ratiopacPRO-air case in special colour, shielded board cage, filter mat top and bottom

01809001



Application: ratiopacPRO-air case with processed front and rear panels

01809003



Application: compacPRO case, modified

02009001



Application: compacPRO case with fitted horizontal rail with lip and hinged front panel

02009003



Application: compacPRO case with fitted horizontal rail with lip and folding front panel

02009002



Application: compacPRO with tip-up carrying handle and front panel (without visible screws)

02009004



Application: inpac case with hinged and modified front and rear panels

02109001



Application: propacPRO, EMC case in special colour with mounting plates for individual construction

05809005

# Desk-top cases – ServicePLUS

## **North America**

**Warwick, RI, USA**

Tel +1.800.525.4682

**San Diego, CA, USA**

Tel +1.800.854.7086

## **Europe, Middle East & India**

**Straubenhardt, Germany**

Tel +49 7082 794 0

**Betschdorf, France**

Tel +33 3 88 90 64 90

**Warsaw, Poland**

Tel +48 22 209 98 35

**Hemel Hempstead,**

**Great Britain**

Tel +44 1442 24 04 71

**Lainate, Italy**

Tel +39 02 932 714 1

**Dubai, United Arab Emirates**

Tel +971 4 37 81 700

**Bangalore, India**

Tel +91 80 67152000

**Istanbul, Turkey**

Tel +90 216 250 7374

## **Asia Pacific**

**Shanghai, China**

Tel +86 21 2412 6943

**Singapore**

Tel +65 6768 5800

**Shin-Yokohama, Japan**

Tel +81 45 476 0271

Our powerful portfolio of brands:

**CADDY ERICO HOFFMAN RAYCHEM SCHROFF TRACER**



[nVent.com/SCHROFF](https://www.nvent.com/SCHROFF)