

RoHS  
Compliant



## Features

- A range of compact data line filters employing a high performance toroidal core
- These chokes have a plastic carrier for ease of PCB mounting
- Unique configuration
- Ideal for EMI filters
- Core is Ni-Zn ferrite
- Base material is phenolic
- Highly accurate dimensions and taped for automatic inserting

## Applications

- EMI line filter
- Personal computers
- Microcomputers and peripheral devices
- VCD, DVD and TV circuit
- Monitors
- Keyboard/wireless keyboard

## Specifications

Voltage Rating : 50V  
Current Rating : 500mA  
Operating Temperature : -25°C to +85°C

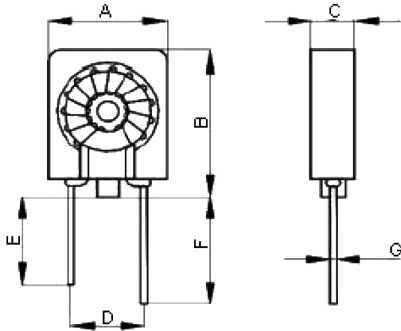
Inductance (μH)	Inductance Tolerance (%)	Resistance (mΩ)	Test Frequency (kHz)	Max. Rated DC Current (A)	Rated Voltage (V)	Type	Part Number
5.6	±35	< 25	1	0.5	50	Differential Mode	MCAS809535-100U
20		< 35					MCAS809535-200U
56		< 35					MCAS809535-560U

### Note:

Test equipment : Inductance is measured with WK3260A Meter or equivalent  
Tolerance of inductance : ±35%

# Choke Coil

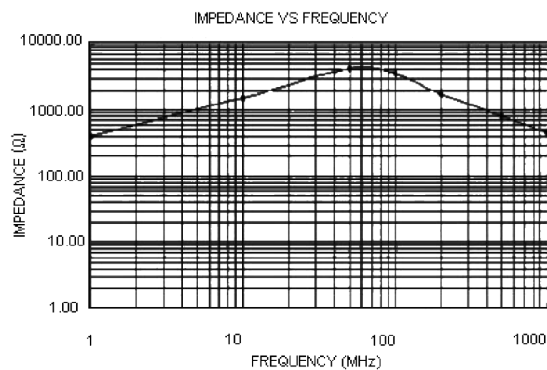
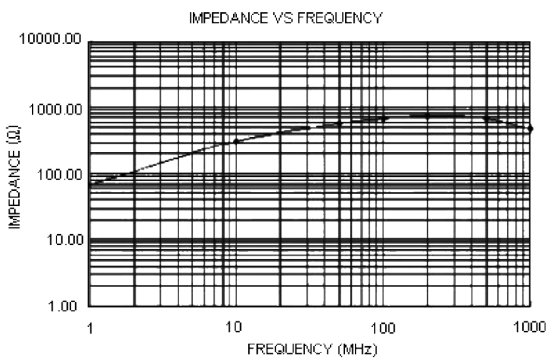
## External Dimensions



A (Max.)	B (Max.)	C (Max.)	D	E	F	G
8	9.5	3.5	5 ±0.5	15.5 ±1	19.5 ±1	0.6 ±0.3

Dimensions : Millimetres

## Typical Curve



## Part Number Table

Description	Part Number
Choke Coil	MCAS809535-100U
	MCAS809535-200U
	MCAS809535-560U

**Important Notice :** This data sheet and its contents (the "Information") belong to the members of the AVNET group of companies (the "Group") or are licensed to it. No licence is granted for the use of it other than for information purposes in connection with the products to which it relates. No licence of any intellectual property rights is granted. The Information is subject to change without notice and replaces all data sheets previously supplied. The Information supplied is believed to be accurate but the Group assumes no responsibility for its accuracy or completeness, any error in or omission from it or for any use made of it. Users of this data sheet should check for themselves the Information and the suitability of the products for their purpose and not make any assumptions based on information included or omitted. Liability for loss or damage resulting from any reliance on the Information or use of it (including liability resulting from negligence or where the Group was aware of the possibility of such loss or damage arising) is excluded. This will not operate to limit or restrict the Group's liability for death or personal injury resulting from its negligence. Multicomp Pro is the registered trademark of Premier Farnell Limited 2019.