



SCHILL

connecting professionals

FT150.0304

SPRING RETURN CABLE REEL

Small, lightweight spring-retractable reel suitable for small workshops, laboratories, schools & garages.



Manufactured from sturdy thermoplastic, the reel is electrically insulated & corrosion resistant.

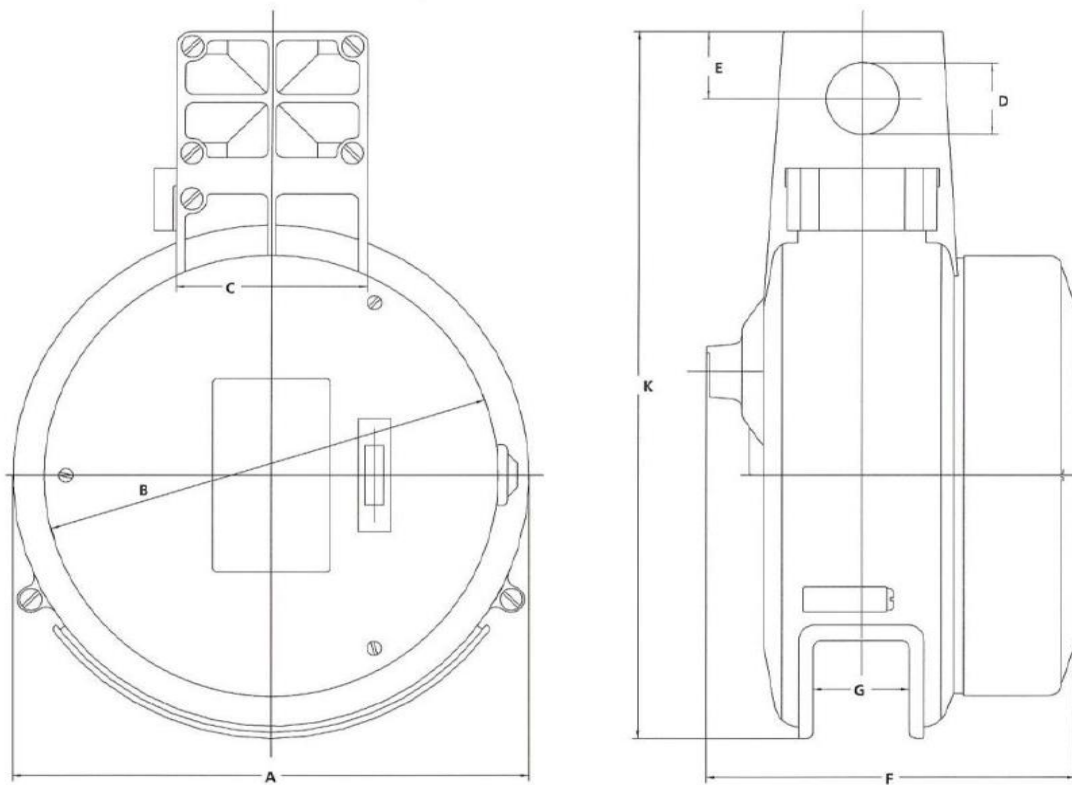
Depending on requirements, the desired length of cable is pulled out of the reel, leaving the remaining cable neatly stored on the reel safe from damage and dirt.

When the cable connection is no-longer required, a short pull on the ball-stop and the cable neatly rewinds.

A spring-return cable reel means a safe & organized workplace.

Features:

- Max load wound /unwound: 4A / 10A
- Cable length & size: 4m x 3x1.0mm² HO5VV-F
- Universal mounting bracket (Wall, floor or ceiling)
- Manual On/Off cable retraction ratchet
- Adjustable ball-stop
- High quality brass sliprings / sliver contacts
- IP20 protection
- Operating temp: 5°C to 60°C
- Weight: 1.3Kg.



Dimensions (mm)

A	B	C	D	E	F	G	K
160	140	59	23	21	132	30	225

Universal Mounting Bracket:

