

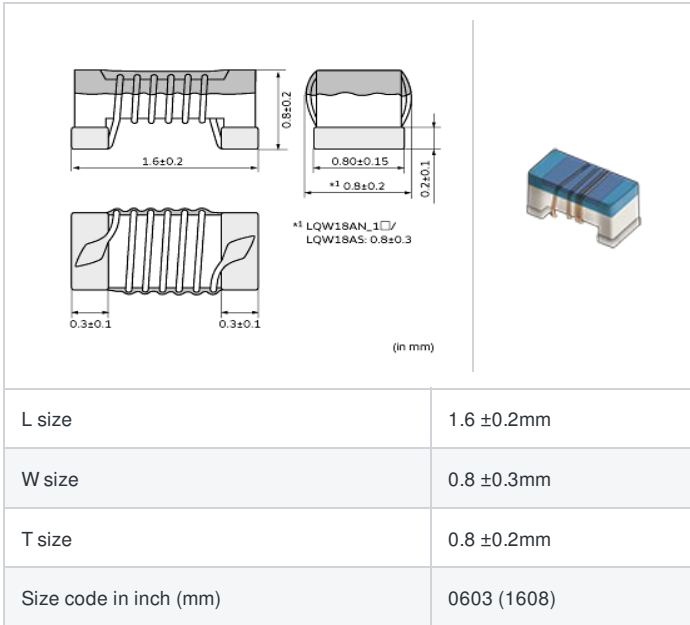
LQW18ASR10G0Z#

indicates a package specification code.



< List of part numbers with package codes >
 LQW18ASR10G0ZD , LQW18ASR10G0ZJ , LQW18ASR10G0ZB

Shape



References

Packaging code	Specifications	Minimum quantity
D	φ 180mm Paper taping	4000
J	φ330mm Paper taping	10000
B	Packing in bulk	500

Mass (Typ.)	
1 piece	0.003g

Specifications

Inductance	100nH ±2%
Inductance test frequency	150MHz
Rated current (Itemp) (Based on Temperature rise)	400mA
Max. of DC resistance	0.580Ω
Q (min.)	34
Q test frequency	150MHz
Self resonance frequency (min.)	1400MHz
Operating temperature range (Self-temperature rise is included)	-40°C to 125°C
Series	LQW18AS_0Z

Attention

- 1.This datasheet is downloaded from the website of Murata Manufacturing Co., Ltd. Therefore, it's specifications are subject to change or our products in it may be discontinued without advance notice. Please check with our sales representatives or product engineers before ordering.
- 2.This datasheet has only typical specifications because there is no space for detailed specifications. Therefore, please review our product specifications or consult the approval sheet for product specifications before ordering.