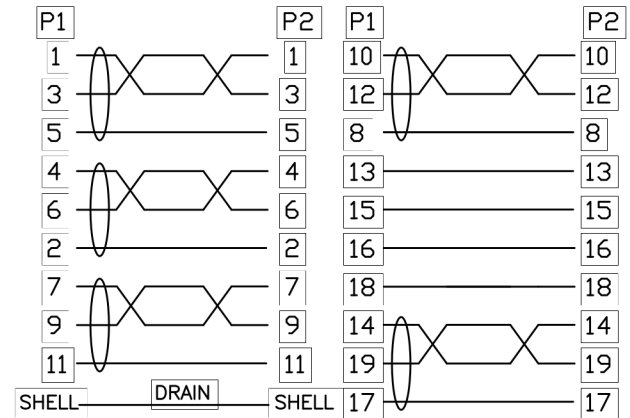


NOTE:

- 1.OPEN/SHORT/INTERMITTENCE:100%.
- 2.CONDUCTIVE RESISTANCE:2Ω (MAX)
- 3.RoHS & REACH Compliant
- 4.HDTV:1080P@60Hz

Pin OUT



NO.	MATERIAL	DESCRIPTION	QTY.	UNIT
⑦	THUMB SCREW	NICKEL PLATED#4-40*15	2	PCS
⑥	THUMB NUT	NICKEL PLATED#4-40	2	PCS
⑤	MOLDED	45P BLACK PVC		G
④	MOLDED	LD-PE		G
③	CONNECTOR	HDMI A-FEMALE NICKEL PLATED WITH BLACK RUBBER COVER	1	PCS
②	CONNECTOR	HDMI A-FEMALE NICKEL PLATED	1	PCS
①	CABLE	(7/0.10TC*1P+7/0.10TC+FAM)*5+7/0.10TC*4C+AL+7/0.10TC+B(80/0.12ALM)+BLACK PVC OD:6.0±0.2MM	L	MM

Ltemref	Quantity	Title/Name,designation,material,dimension etc	Article No./Reference
Designed by ALVIN	Checked by HELEN	Approved by - date 10-09-2019	File name Date 10-09-2019 Scale FREE
ANGLE:			HDMI1.4 Panel Mount Female/Normal Female 0.5M
UNIT:MM			Edition 1