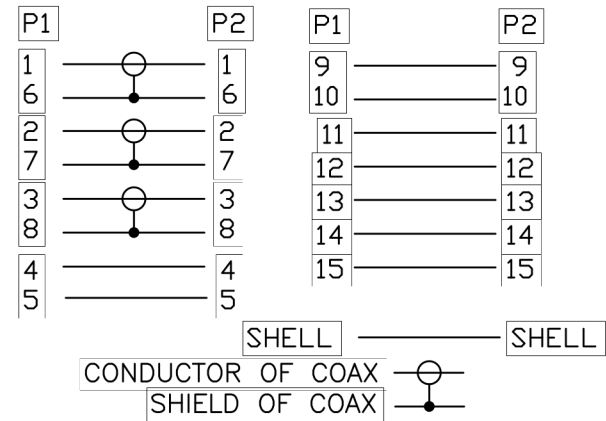


**NOTE:**

- 1.OPEN/SHORT/INTERMITTENCE:100%.
- 2.CONDUCTIVE RESISTANCE:2Ω (MAX)
- 3.RoHS & REACH Compliant

**Pin OUT**



⑥	HEX SCREW	NUT-NICKEL PLATED#4-40	2	PCS
⑤	MOLDED	45P BLACK PVC		G
④	MOLDED	LD-PE		G
③	CONNECTOR	HDB15PIN FEMALE NICKEL PLATED + AFTER THE NUT	1	PCS
②	CONNECTOR	HDB15PIN FEMALE NICKEL PLATED + BEFORE THE NUT	1	PCS
①	CABLE	[(7/0.12BC)+FPE+(7/0.12BC)+AL+PVC)]*3+(7/0.12BC+PVC)*9+AL-FOIL+DRAIN WIRE(7/0.12BC)+BRAID(80/0.12ALM)+BLACK PVC,OD: 8.0±0.2MM	L	MM
NO.	MATERIAL	DESCRIPTION	QTY.	UNIT

Ltemref	Quantity	Title/Name,designation,material,dimension etc	Article No./Reference
Designed by ALVIN	Checked by HELEN	Approved by - date 10-09-2019	File name Date 10-09-2019 Scale FREE
ANGLE:			VGA Panel Mount Female/Normal Female 0.3M
UNIT:MM			Edition 1