

DLW32MH201YK2#

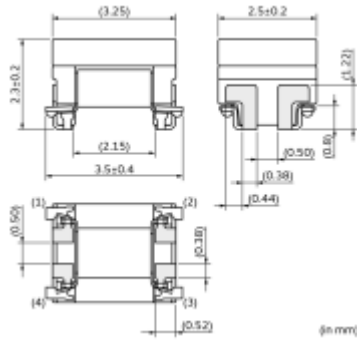
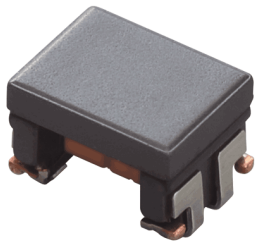
“#” indicates a package specification code.



< List of part numbers with package codes >

DLW32MH201YK2L

Appearance & Shape



Features

1. Suitable for noise suppression at car area networks.
2. High common mode impedance at high frequency range.
So it is suitable for noise suppression through wide frequency range.
3. Wide operating temperature range meet automotive application.
(-55 to +150 degrees C)

Applications

Automotive Usage	Powertrain/Safety
------------------	-------------------

Packaging Information

Packaging	Specifications	Minimum Order Quantity
L	180mm Embossed Tape	1500

Attention

1. This datasheet is downloaded from the website of Murata Manufacturing Co., Ltd. Therefore, its specifications are subject to change or our products in it may be discontinued without advance notice. Please check with our sales representatives or product engineers before ordering.
2. This datasheet has only typical specifications because there is no space for detailed specifications.
Therefore, please review our product specifications or consult the approval sheet for product specifications before ordering.

DLW32MH201YK2#

“#” indicates a package specification code.



Specifications

Shape	SMD	Mass(typ.)	0.06g
Size Code (in mm)	3225	Number of Circuit	1
Size Code (in inch)	1210	Common Mode Inductance	200μH-20%/+30% (at 0.1MHz)
Length	3.5mm	Operating Temperature Range(Self-temperature rise is included)	No
Length Tolerance	±0.4mm		
Width	2.5mm		
Width Tolerance	±0.2mm		
Thickness	2.3mm		
Thickness Tolerance	±0.2mm		
Rated Current	70mA		
Derating of Rated Current	Yes(Over 125°C) *For details, please check the derating diagram.		
Rated Voltage	80Vdc		
Withstanding Voltage	200Vdc		
DC Resistance(max.)	4.92Ω		
DC Resistance	4.1Ω±20%		
Insulation Resistance(min.)	10MΩ		
Operating Temperature Range	-55°C to 150°C		

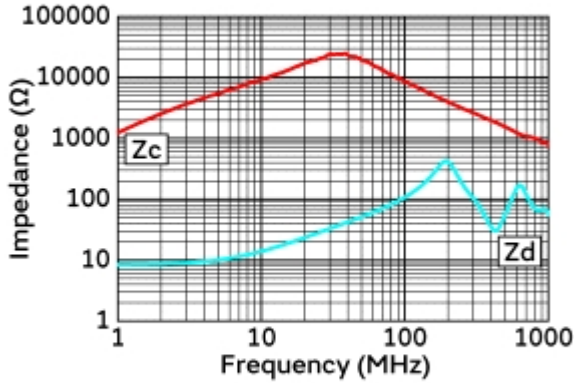
Attention

- 1.This datasheet is downloaded from the website of Murata Manufacturing Co., Ltd. Therefore, it's specifications are subject to change or our products in it may be discontinued without advance notice. Please check with our sales representatives or product engineers before ordering.
- 2.This datasheet has only typical specifications because there is no space for detailed specifications.
Therefore, please review our product specifications or consult the approval sheet for product specifications before ordering.

DLW32MH201YK2#

“#” indicates a package specification code.

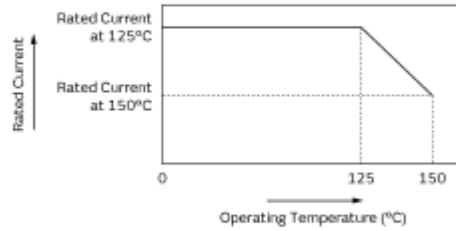
Product Data



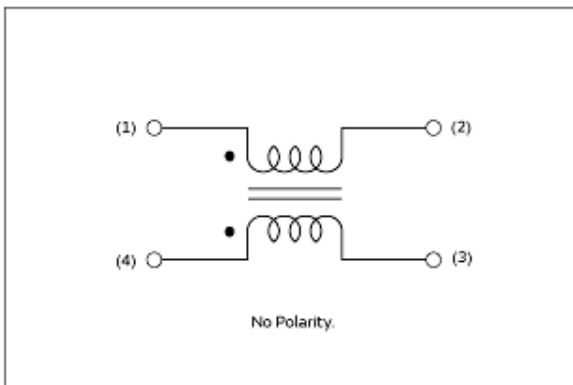
Impedance-Frequency Characteristics

In operating temperatures exceeding +125°C, derating of current is necessary for this series. Please apply the derating curve shown in the chart according to the operating temperature.

Derating of Rated Current



Derating of Rated Current



Equivalent Circuit

Attention

- 1.This datasheet is downloaded from the website of Murata Manufacturing Co., Ltd. Therefore, it's specifications are subject to change or our products in it may be discontinued without advance notice. Please check with our sales representatives or product engineers before ordering.
- 2.This datasheet has only typical specifications because there is no space for detailed specifications. Therefore, please review our product specifications or consult the approval sheet for product specifications before ordering.