

Plastic anti-static dust protection cap - RC-Z2469 - 1611797

Please be informed that the data shown in this PDF Document is generated from our Online Catalog. Please find the complete data in the user's documentation. Our General Terms of Use for Downloads are valid (<http://phoenixcontact.com/download>)




Plastic protection cap, antistatic, for RF, SF, CA, RC series connectors, with M23 external thread

Similar figure



Key Commercial Data

Packing unit	25 pc
Minimum order quantity	25 pc
GTIN	 4 046356 267632
GTIN	4046356267632
Weight per Piece (excluding packing)	2.560 g
Custom tariff number	39235090
Country of origin	Germany
Note	Made to Order (non-returnable)

Technical data

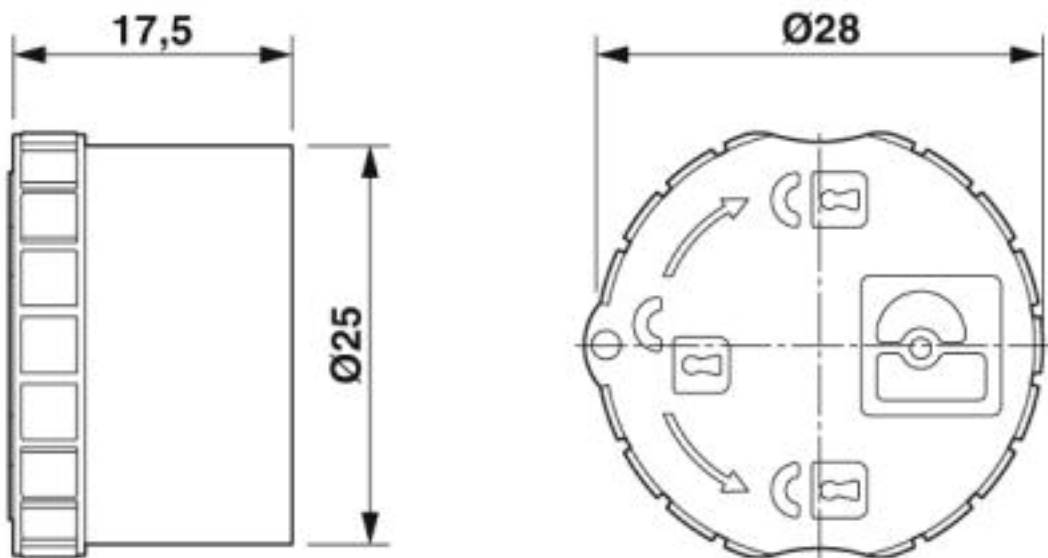
Environmental Product Compliance

China RoHS	Environmentally Friendly Use Period = 50
	For details about hazardous substances go to tab "Downloads", Category "Manufacturer's declaration"

Drawings

Plastic anti-static dust protection cap - RC-Z2469 - 1611797

Dimensional drawing



Classifications

eCl@ss

eCl@ss 4.0	27260700
eCl@ss 4.1	27260700
eCl@ss 5.0	27260700
eCl@ss 5.1	27260700
eCl@ss 6.0	27260700
eCl@ss 7.0	27440312
eCl@ss 8.0	27440312
eCl@ss 9.0	27440312

ETIM

ETIM 3.0	EC001121
ETIM 4.0	EC001121
ETIM 5.0	EC002641
ETIM 6.0	EC002641
ETIM 7.0	EC002641

UNSPSC

UNSPSC 6.01	43172015
UNSPSC 7.0901	43201404
UNSPSC 11	43172015
UNSPSC 12.01	43201404
UNSPSC 13.2	39121419
UNSPSC 18.0	39121419
UNSPSC 19.0	39121419

Plastic anti-static dust protection cap - RC-Z2469 - 1611797

Classifications

UNSPSC

UNSPSC 20.0	39121419
UNSPSC 21.0	39121419