

Socket - EO-E/UT/SH - 0804016

Please be informed that the data shown in this PDF Document is generated from our Online Catalog. Please find the complete data in the user's documentation. Our General Terms of Use for Downloads are valid (<http://phoenixcontact.com/download>)



Socket, Pin connector pattern type E, Screw connection, for France and other countries, with extended touch proofness/shutter, gray, for mounting on a DIN rail in the service interface or direct mounting, 250 V AC, 16 A, -20 °C, 60 °C, NF C61-314



Key Commercial Data

Packing unit	5 pc
Minimum order quantity	5 pc
GTIN	 4 055626 225586
GTIN	4055626225586
Weight per Piece (excluding packing)	78.040 g
Custom tariff number	85366990
Country of origin	Poland

Technical data

Dimensions

Width	45 mm
Height	75 mm
Depth	57.5 mm

Ambient conditions

Ambient temperature (operation)	-20 °C ... 60 °C
---------------------------------	------------------

General

Nominal voltage U_N	250 V AC (50 Hz)
Nominal current I_N	16 A
Status display	No
Contact material	CuZn37
Color	gray
Insulating material	PA
Flammability rating according to UL 94	V0

Socket - EO-E/UT/SH - 0804016

Technical data

General

Standards/regulations	NF C61-314
Country ID	France

Connection data

Conductor cross section solid min.	0.2 mm ²
Conductor cross section solid max.	4 mm ²
Conductor cross section flexible min.	0.2 mm ²
Conductor cross section flexible max.	2.5 mm ²
Conductor cross section AWG min.	24
Conductor cross section AWG max.	12
Connection method	Screw connection

Standards and Regulations

Standards/regulations	NF C61-314
Flammability rating according to UL 94	V0

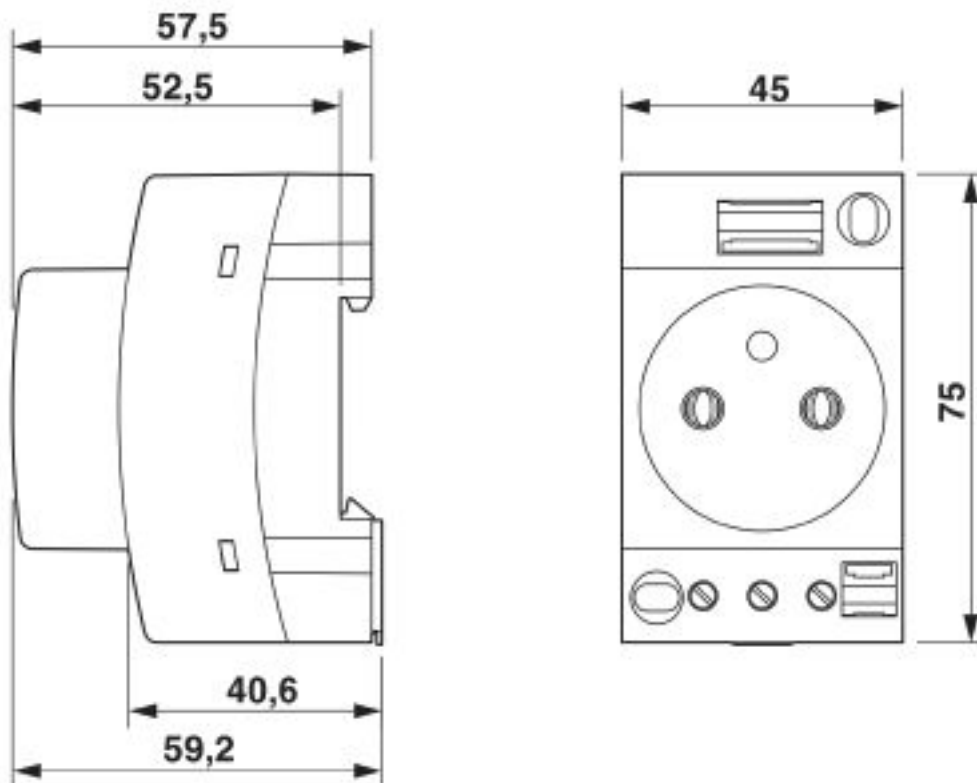
Environmental Product Compliance

REACH SVHC	Lead 7439-92-1
China RoHS	Environmentally friendly use period: unlimited = EFUP-e
	No hazardous substances above threshold values

Drawings

Socket - EO-E/UT/SH - 0804016

Dimensional drawing



Classifications

eCl@ss

eCl@ss 4.0	27142300
eCl@ss 4.1	27142300
eCl@ss 5.0	27142300
eCl@ss 5.1	27142300
eCl@ss 6.0	27142300
eCl@ss 7.0	27142305
eCl@ss 8.0	27142305
eCl@ss 9.0	27142305

ETIM

ETIM 5.0	EC001663
ETIM 6.0	EC001663
ETIM 7.0	EC001663

Approvals

Approvals

Socket - EO-E/UT/SH - 0804016

Approvals

Approvals

VDE Zeichengenehmigung / EAC

Ex Approvals

Approval details

VDE Zeichengenehmigung		http://www2.vde.com/de/Institut/Online-Service/VDE-gepruefteProdukte/Seiten/Online-Suche.aspx	40048943
Nominal voltage UN	250 V		
Nominal current IN	16 A		

EAC		RU C- DE.BL08.B.00511
-----	--	--------------------------

Accessories

Accessories

Adapter plate

Adapter plate - EO-SI-FRAME - 0804522



Adapter plate for installing the control cabinet sockets (type EO-...) in the mounting frames (type VS-SI-EB-EMV.../ SI-M1A.../ SI-M1B...). Includes fastening hardware for the control cabinet socket

Terminal marking

Marker for terminal blocks - UC-TMF 8 - 0818137



Marker for terminal blocks, Sheet, white, unlabeled, can be labeled with: BLUEMARK ID COLOR, BLUEMARK ID, BLUEMARK CLED, PLOTMARK, CMS-P1-PLOTTER, mounting type: snap into flat marker groove, for terminal block width: 8.2 mm, lettering field size: 7.6 x 5.1 mm, Number of individual labels: 56

Socket - EO-E/UT/SH - 0804016

Accessories

Marker for terminal blocks - UC-TMF 16 - 0819262



Marker for terminal blocks, Sheet, white, unlabeled, can be labeled with: BLUEMARK ID COLOR, BLUEMARK ID, BLUEMARK CLED, PLOTMARK, CMS-P1-PLOTTER, mounting type: snap into flat marker groove, for terminal block width: 16 mm, lettering field size: 15.45 x 5.1 mm, Number of individual labels: 32

Zack Marker strip, flat - ZBF 8:UNBEDRUCKT - 0808781



Zack Marker strip, flat, Strip, white, unlabeled, can be labeled with: PLOTMARK, CMS-P1-PLOTTER, mounting type: snap into flat marker groove, for terminal block width: 8 mm, lettering field size: 5.15 x 8.15 mm, Number of individual labels: 10

Zack Marker strip, flat - ZBF 16:UNPRINTED - 0827464



Zack Marker strip, flat, Strip, white, unlabeled, can be labeled with: PLOTMARK, CMS-P1-PLOTTER, mounting type: snap into flat marker groove, for terminal block width: 16 mm, lettering field size: 16.25 x 10.5 mm, Number of individual labels: 50