

Y distributor - SAC-8PY-M/2XF BK 1-PSR - 1054338

Please be informed that the data shown in this PDF Document is generated from our Online Catalog. Please find the complete data in the user's documentation. Our General Terms of Use for Downloads are valid (<http://phoenixcontact.com/download>)



Y distributor for PSR-CT series RFID transponder switches, M12 male/female, 5- and 8-pos., for safe series connection of up to 30 devices

Product Description

Type 1 Y distributor for series connection of PSR-CT safety circuits.

Your advantages

- ✓ Easy implementation of safe series connection for up to 30 devices
- ✓ Easy installation with M12 connection
- ✓ Eliminates wiring errors
- ✓ Enables consistent field installation of the sensor circuit up to protection class IP67 or IP69K



Key Commercial Data

Packing unit	1 pc
GTIN	 4 055626 694955
GTIN	4055626694955
Weight per Piece (excluding packing)	32.600 g
Custom tariff number	85366990
Country of origin	Poland

Technical data

Dimensions

Center distance	21 mm
-----------------	-------

Ambient conditions

Ambient temperature (operation)	-25 °C ... 90 °C (Plug / socket)
Degree of protection	IP65
	IP67

General

Y distributor - SAC-8PY-M/2XF BK 1-PSR - 1054338

Technical data

General

Rated current at 40°C	2 A
Rated voltage	30 V AC
	30 V DC
Number of positions	8
Color handle area	black
Insulation resistance	≥ 100 MΩ
Coding	A - standard
Standards/regulations	M12 connector IEC 61076-2-101
Status display	No
Overvoltage category	II
Degree of pollution	3
Insertion/withdrawal cycles	≥ 100
Torque	0.4 Nm (M12 connector)

Material

Flammability rating according to UL 94	HB
Contact material	CuZn
Contact surface material	Ni/Au
Contact carrier material	TPU GF
Material of grip body	TPU, hardly inflammable, self-extinguishing
Material, knurls	Zinc die-cast, nickel-plated
Sealing material	NBR

Standards and Regulations

Standards/specifications	M12 connector IEC 61076-2-101
Flammability rating according to UL 94	HB

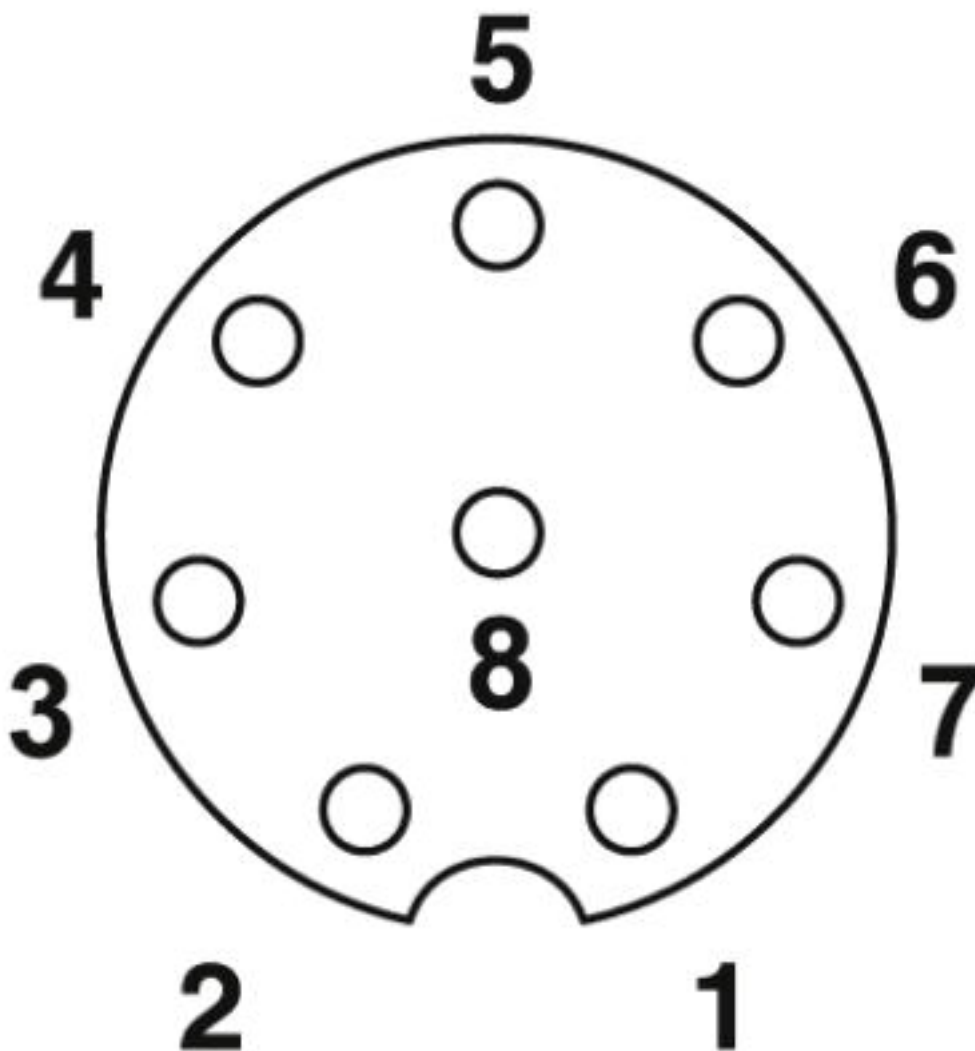
Environmental Product Compliance

REACH SVHC	Lead 7439-92-1
China RoHS	Environmentally Friendly Use Period = 50
	For details about hazardous substances go to tab "Downloads", Category "Manufacturer's declaration"

Drawings

Y distributor - SAC-8PY-M/2XF BK 1-PSR - 1054338

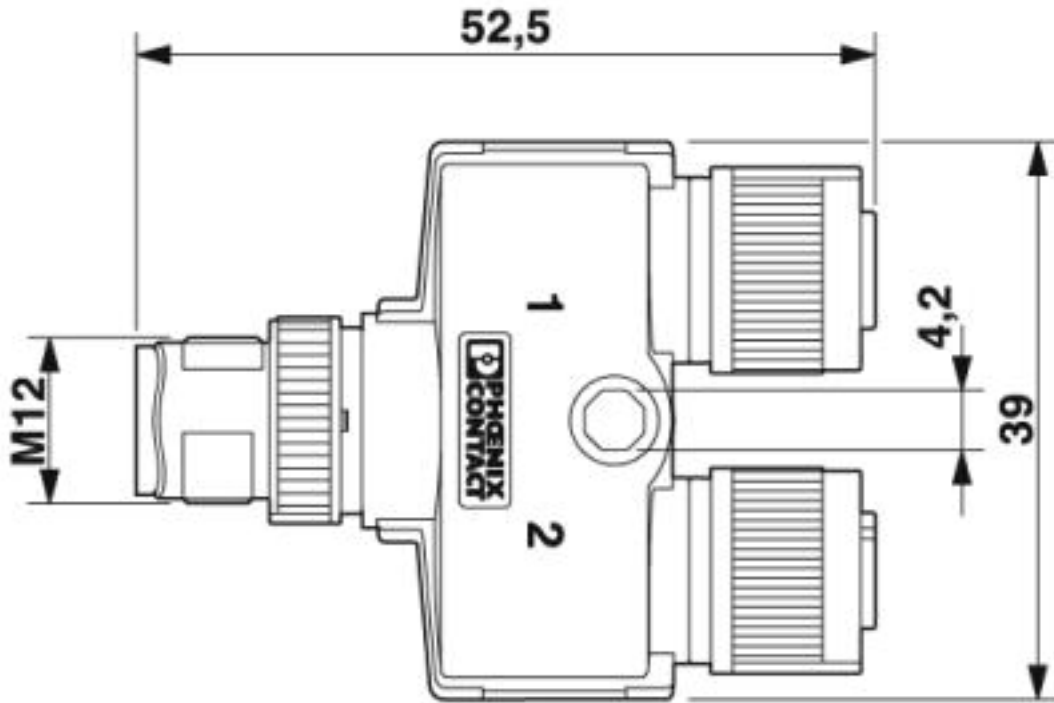
Schematic diagram



Pin assignment M12 socket, 8-pos., A-coded, view female side

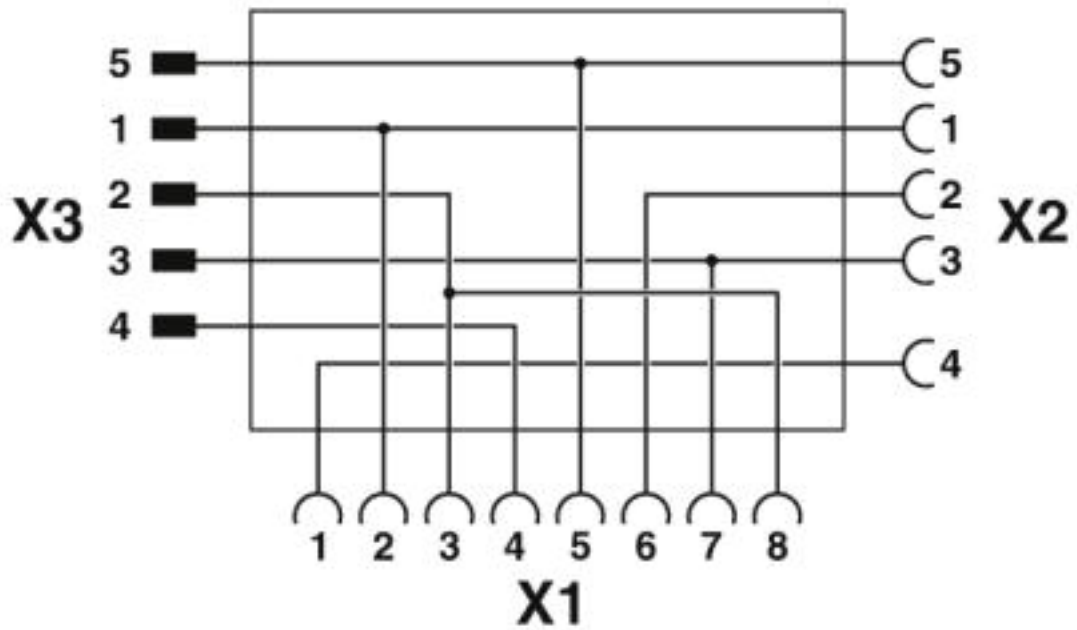
Y distributor - SAC-8PY-M/2XF BK 1-PSR - 1054338

Dimensional drawing



M12 Y distributor

Circuit diagram



Contact assignment of the M12 Y distributor

Y distributor - SAC-8PY-M/2XF BK 1-PSR - 1054338

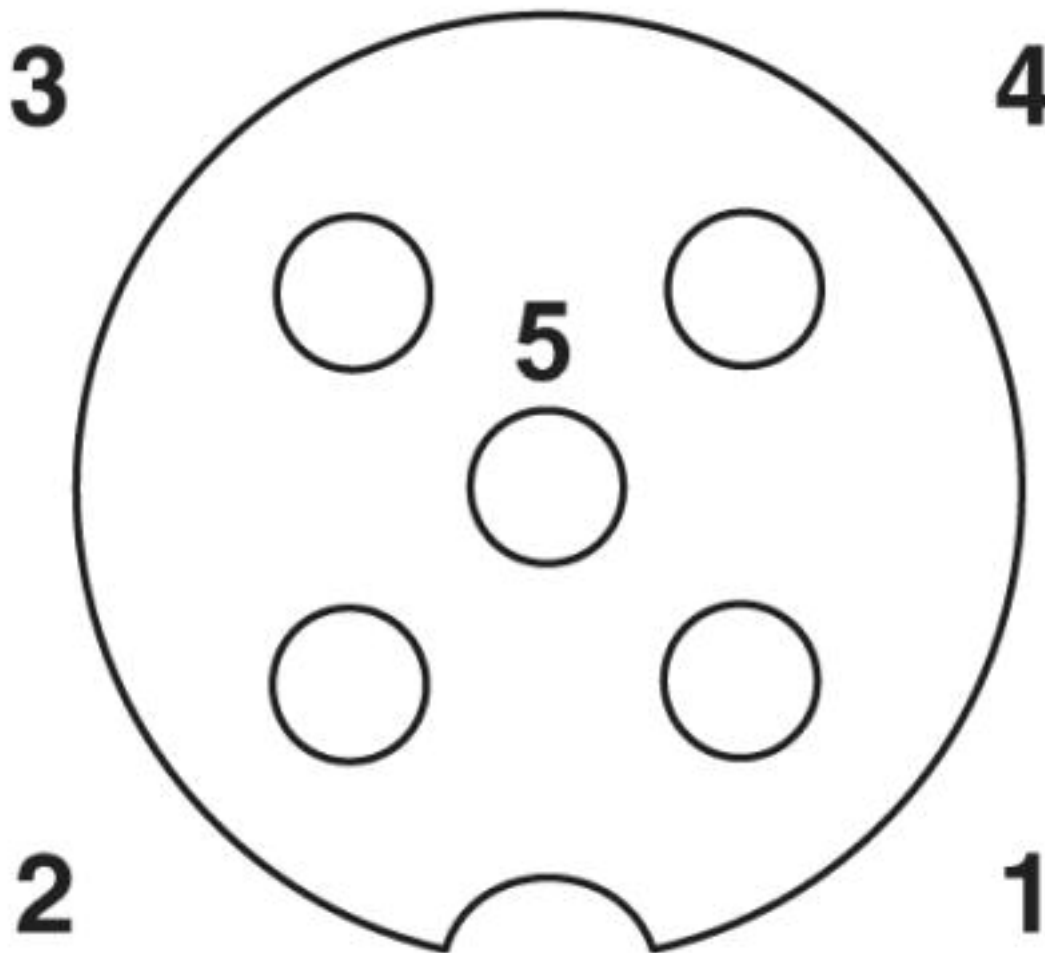
Schematic diagram



Pin assignment M12 male connector, 5-pos., A-coded, male side

Y distributor - SAC-8PY-M/2XF BK 1-PSR - 1054338

Schematic diagram



Pin assignment M12 socket, 5-pos., A-coded, socket side view

Classifications

eCl@ss

eCl@ss 4.0	27279000
eCl@ss 4.1	27279000
eCl@ss 5.0	27279200
eCl@ss 5.1	27279200
eCl@ss 6.0	27279200
eCl@ss 7.0	27279201
eCl@ss 9.0	27440106

ETIM

ETIM 5.0	EC002062
ETIM 6.0	EC002925

Y distributor - SAC-8PY-M/2XF BK 1-PSR - 1054338

Classifications

ETIM

ETIM 7.0	EC002925
----------	----------

Accessories

Accessories

Plug for cable screw gland

Screw plug - PROT-M12 - 1680539



An M12 screw plug for the unoccupied M12 sockets of the sensor/actuator cable, boxes and flush-type connectors

Screw plug - PROT-M12 MS-PA-CHAIN - 1430899

M12 sealing cap with fixing band, for sensor cables, for free M12 sockets



Protective cap

Sealing cap - PROT-M12 FS-M - 1430488



M12 metal sealing cap for unoccupied M12 plugs of the sensor/actuator cable, flush-type plugs and I/O devices in the field

Sealing cap - PROT-M12 FS-PA-CHAIN - 1430873

M12 sealing cap made of plastic with fixing band, for sensor cables, for free M12 plugs



Screwdriver tools

Y distributor - SAC-8PY-M/2XF BK 1-PSR - 1054338

Accessories

Tool - SAC BIT M12-D15 - 1208432



Nut for assembling sensor/actuator cables with M12 connector and M12 connectors for assembly, with a knurl diameter of 15 mm, for 4 mm hexagonal drive

Torque tool

Torque screwdriver - TSD 04 SAC - 1208429



Torque screwdriver, with preset torque of 0.4 Nm and 4 mm hexagonal drive for M12 connectors