

Power electronics - ELR W3/ 9-400 S - 2963569

Please be informed that the data shown in this PDF Document is generated from our Online Catalog. Please find the complete data in the user's documentation. Our General Terms of Use for Downloads are valid (<http://phoenixcontact.com/download>)




Electronic reversing load relay, with integrated soft starter, 3 x 8 A load current

Your advantages

- Parameterization is performed directly on the device via the display and keyboard
- Drive can be controlled locally via keyboard
- Start up time
- Friction time
- Torque start
- Stop time
- Torque stop
- Braking torque



Key Commercial Data

| | |
|--------------------------------------|---|
| Packing unit | 1 pc |
| GTIN |  4 017918 922498 |
| GTIN | 4017918922498 |
| Weight per Piece (excluding packing) | 663.720 g |
| Custom tariff number | 85364900 |
| Country of origin | Germany |
| Note | Made to Order (non-returnable) |

Technical data

Dimensions

| | |
|--------|---------|
| Width | 62.5 mm |
| Height | 84.1 mm |
| Depth | 120 mm |

Ambient conditions

Power electronics - ELR W3/ 9-400 S - 2963569

Technical data

Ambient conditions

| | |
|---|------------------|
| Ambient temperature (operation) | -20 °C ... 60 °C |
| Ambient temperature (storage/transport) | -20 °C ... 70 °C |
| Degree of protection | IP20 |

Input data

| | |
|---|--|
| Input name | Control input right/left |
| Nominal supply voltage | 24 V DC |
| Nominal input voltage U_N | 24 V DC |
| Input voltage range in reference to U_N | 0.8 ... 1.2 |
| Quiescent current | 85 mA |
| Typical input current at U_N | 5 mA |
| Rated actuating voltage U_C | 24 V DC |
| Triggering voltage range | 19.2 V DC ... 28.8 V DC |
| Voltage range with reference to U_C | 0.8 ... 1.2 |
| Rated actuating current I_C | 5 mA |
| Switch-over frequency | < 2.5 Hz (At $\cos \phi = 0.5$) |
| Protective circuit | Reverse polarity protection Series polarity protection diode |
| | Surge protection |
| Operating voltage display | Green LED |
| Status display | Yellow LED |
| Indication | Red LED |

Output data load output

| | |
|-------------------------------|--|
| Output name | AC output |
| Rated operating voltage U_e | 400 V AC |
| Operating voltage range | 110 V AC ... 433 V AC |
| Load current range | 150 mA ... 8 A (at 20 °C T_u , see derating) |
| Leakage current | 5 mA (IL1, in switched-off state) |
| Residual voltage | typ. 1.5 V (For IL) |
| Surge current | 230 A ($t_p = 10$ ms, at 25 °C) |
| Type of protection | RC element |
| Protective circuit/component | RC element |
| Type of protection | Surge protection |

General

| | |
|---------------------------|-------------------------------------|
| Test voltage input/output | 2.5 kV |
| Mounting position | Vertical (horizontal DIN rail) |
| Assembly instructions | Can be aligned with > 20 mm spacing |
| Operating mode | 100% operating factor |

Connection data

| | |
|-------------------|------------------|
| Connection name | Control circuits |
| Connection method | Screw connection |

Power electronics - ELR W3/ 9-400 S - 2963569

Technical data

Connection data

| | |
|----------------------------------|---|
| Stripping length | 8 mm |
| Screw thread | M3 |
| Conductor cross section solid | 0.2 mm ² ... 6 mm ² |
| Conductor cross section flexible | 0.2 mm ² ... 4 mm ² |
| Conductor cross section AWG | 24 ... 10 |

Connection data 2

| | |
|----------------------------------|---|
| Connection name | Load circuit |
| Connection method | Screw connection |
| Stripping length | 8 mm |
| Screw thread | M3 |
| Conductor cross section solid | 0.2 mm ² ... 6 mm ² |
| Conductor cross section flexible | 0.2 mm ² ... 4 mm ² |
| Conductor cross section AWG | 24 ... 10 |

Standards and Regulations

| | |
|-----------------------|-----------------------|
| Standards/regulations | DIN EN 50178 |
| Designation | Standards/regulations |
| Standards/regulations | EN 61000-6-2 |
| | EN 61000-6-4 |

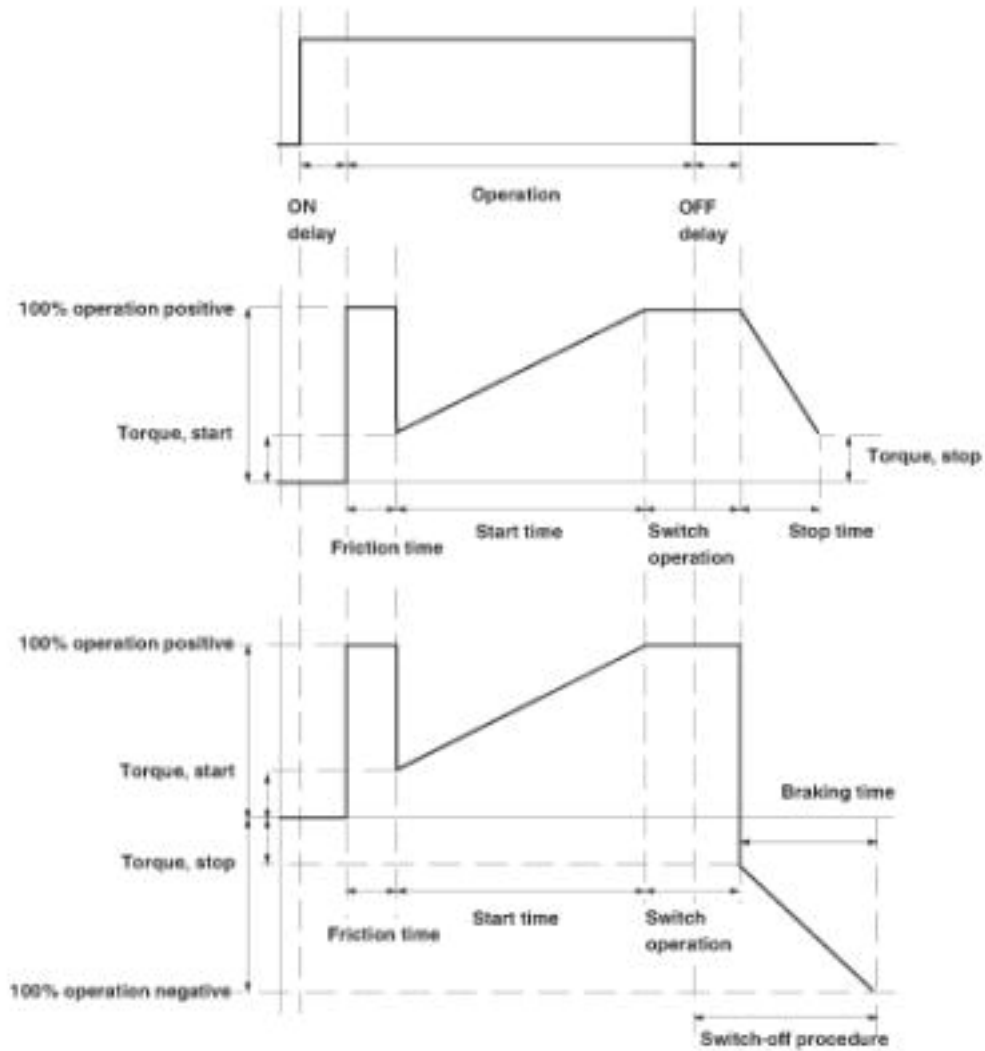
Environmental Product Compliance

| | |
|------------|---|
| REACH SVHC | Lead 7439-92-1 |
| China RoHS | Environmentally Friendly Use Period = 50 |
| | For details about hazardous substances go to tab "Downloads", Category "Manufacturer's declaration" |

Drawings

Power electronics - ELR W3/ 9-400 S - 2963569

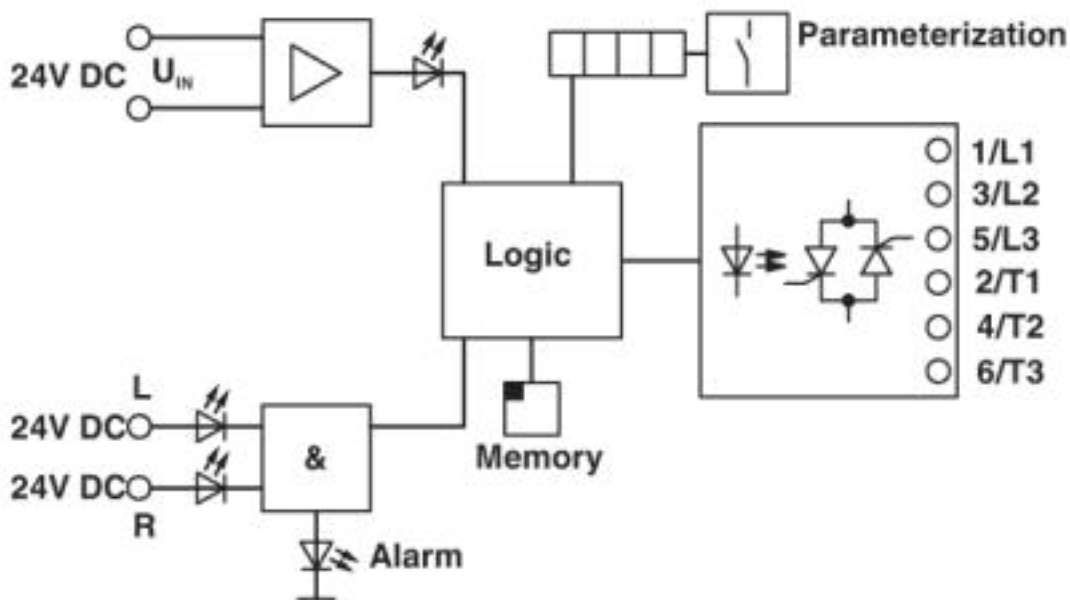
Diagram



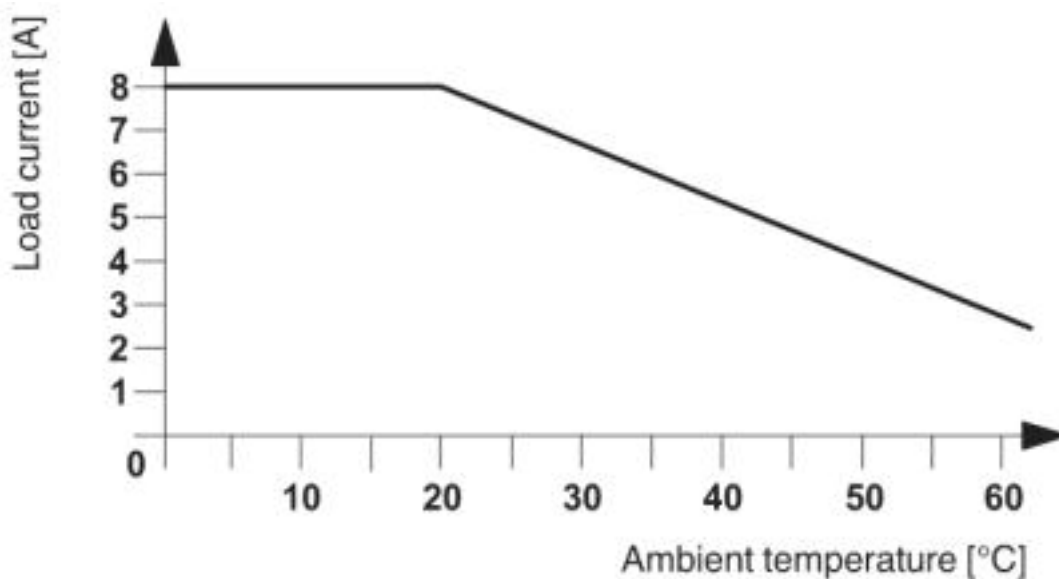
Controlling the reversing load relay and operating a three-phase current load

Power electronics - ELR W3/ 9-400 S - 2963569

Block diagram



Diagram



Load current as a function of the ambient temperature
Operating time: 100% operating factor

Classifications

eCl@ss

| | |
|------------|----------|
| eCl@ss 4.0 | 27371100 |
| eCl@ss 4.1 | 27371100 |
| eCl@ss 5.0 | 27371000 |

Power electronics - ELR W3/ 9-400 S - 2963569

Classifications

eCl@ss

| | |
|------------|----------|
| eCl@ss 5.1 | 27371000 |
| eCl@ss 6.0 | 27371000 |
| eCl@ss 7.0 | 27371014 |
| eCl@ss 8.0 | 27371014 |
| eCl@ss 9.0 | 27371014 |

ETIM

| | |
|----------|----------|
| ETIM 4.0 | EC002055 |
| ETIM 5.0 | EC002055 |
| ETIM 6.0 | EC002055 |
| ETIM 7.0 | EC002055 |

UNSPSC

| | |
|---------------|----------|
| UNSPSC 6.01 | 30211915 |
| UNSPSC 7.0901 | 39121514 |
| UNSPSC 11 | 39121514 |
| UNSPSC 12.01 | 39121514 |
| UNSPSC 13.2 | 39121529 |
| UNSPSC 18.0 | 39122333 |
| UNSPSC 19.0 | 39122333 |
| UNSPSC 20.0 | 39122333 |
| UNSPSC 21.0 | 39122333 |